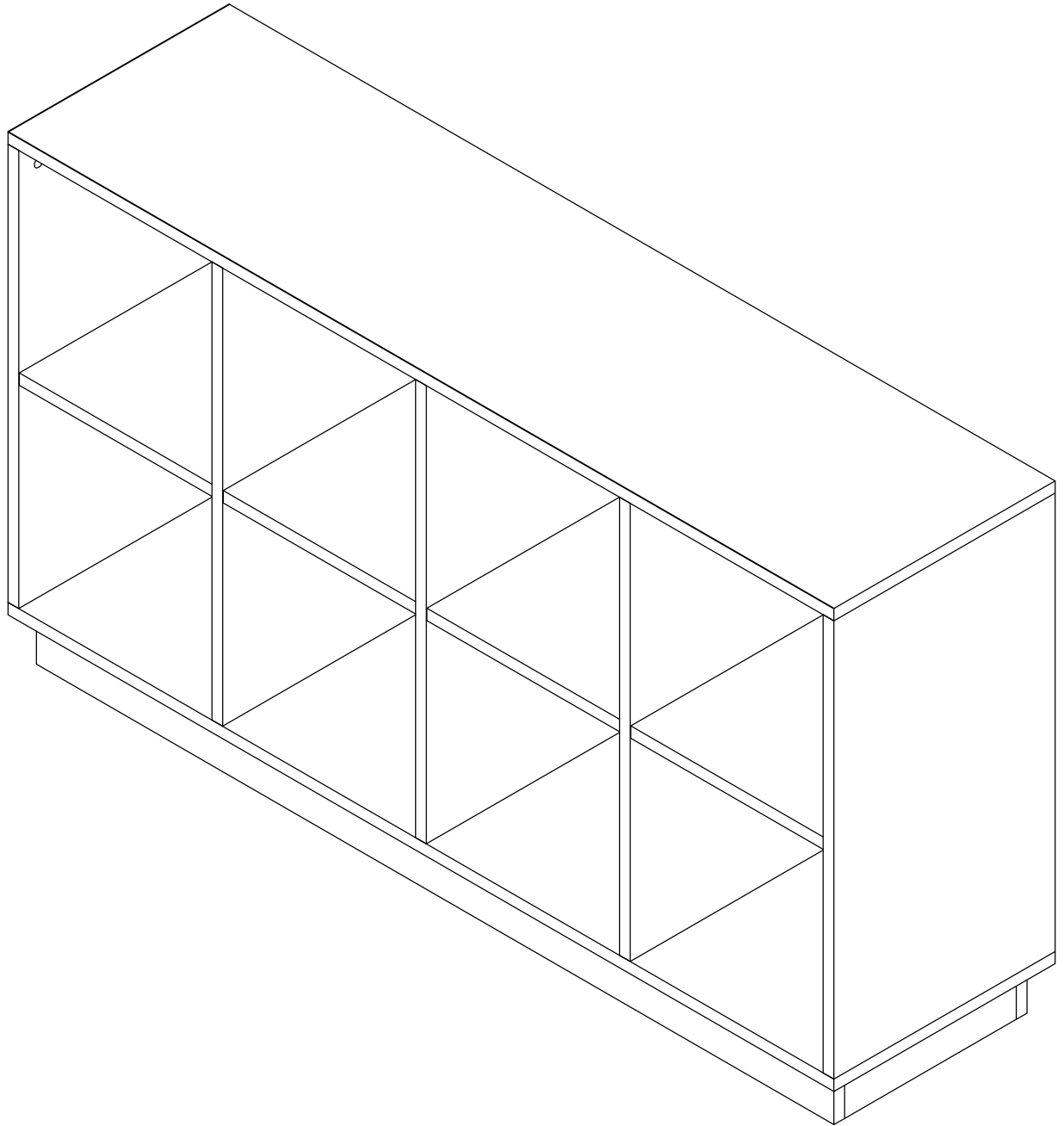


L A X series

by: VASHstudios

4x2 Book Case
Assembly Instructions

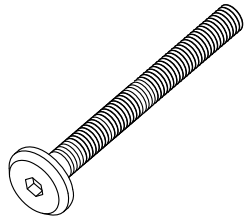


LAXseries

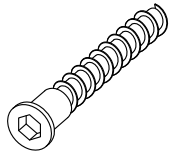
by: MASHstudios

2X4 Book Case
Parts List

Helpful Tip
Separating components into like
groups speeds up the process.



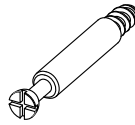
A x 10



B x 15



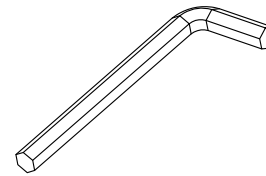
C x 31



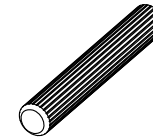
D x 31



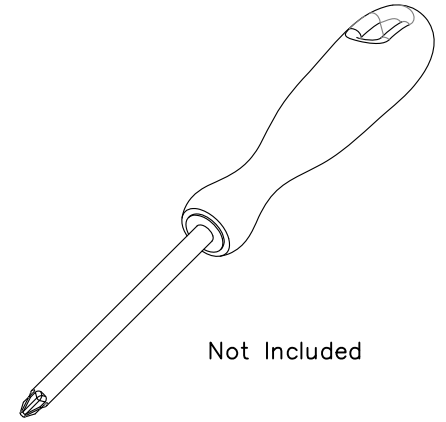
E x 36



F x 1

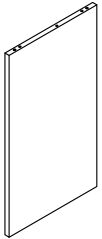


G x 6

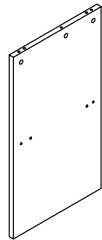


Not Included

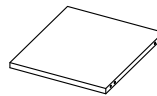
1 x 2



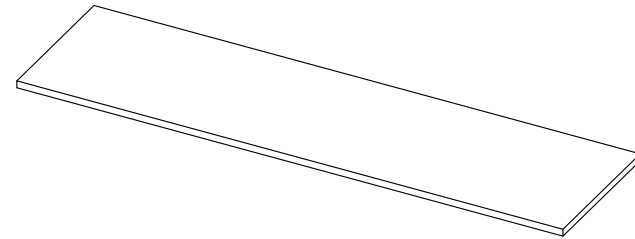
2 x 3



3 x 4



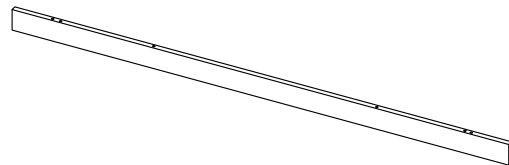
4 x 1



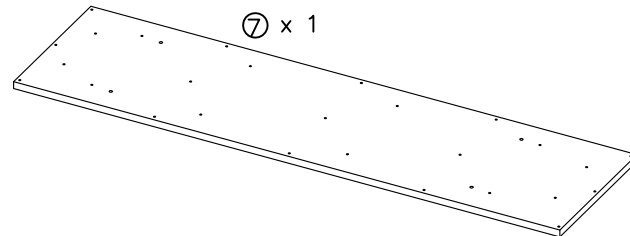
5 x 2



6 x 2



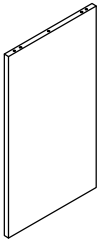
7 x 1



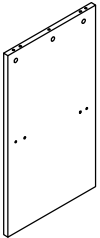
STEP 1



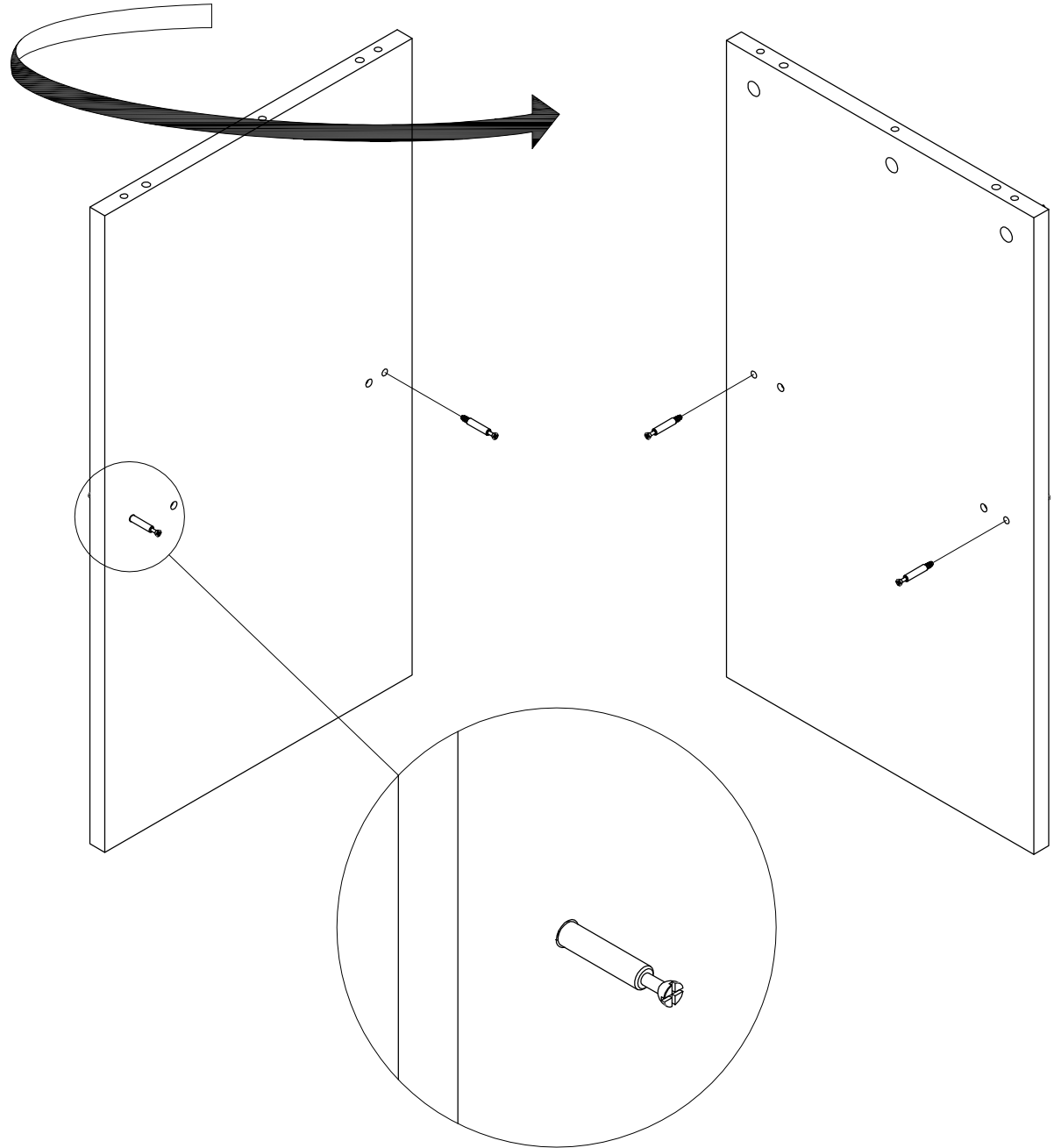
ⓓ X 16



① x 2



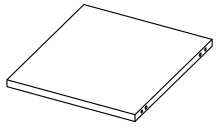
② x 3



STEP 2



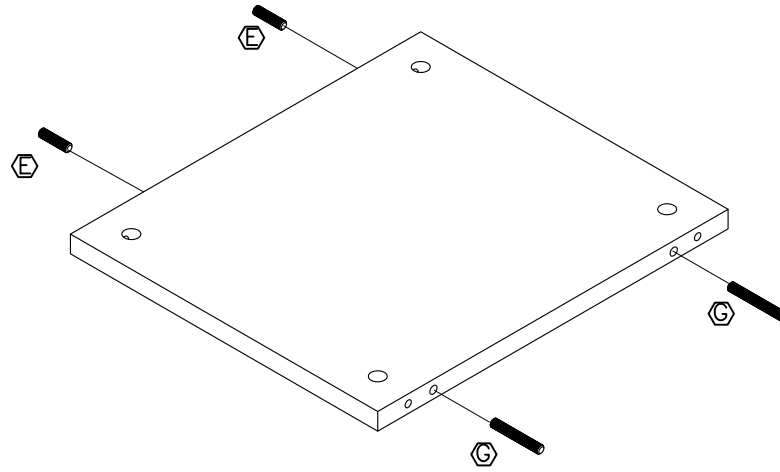
⊕ x 4



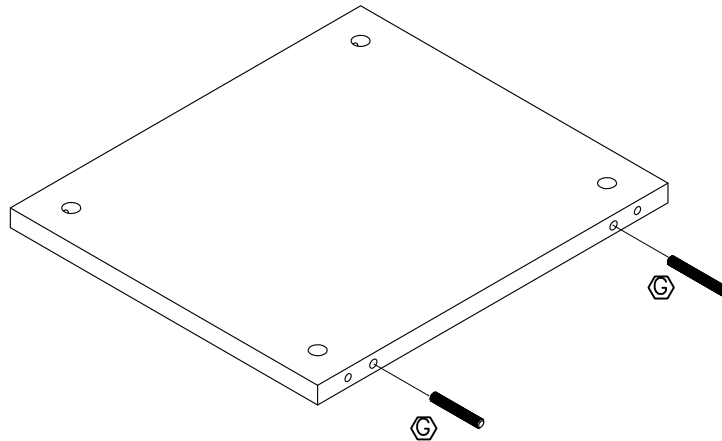
③ x 4



⊕ x 6



X2

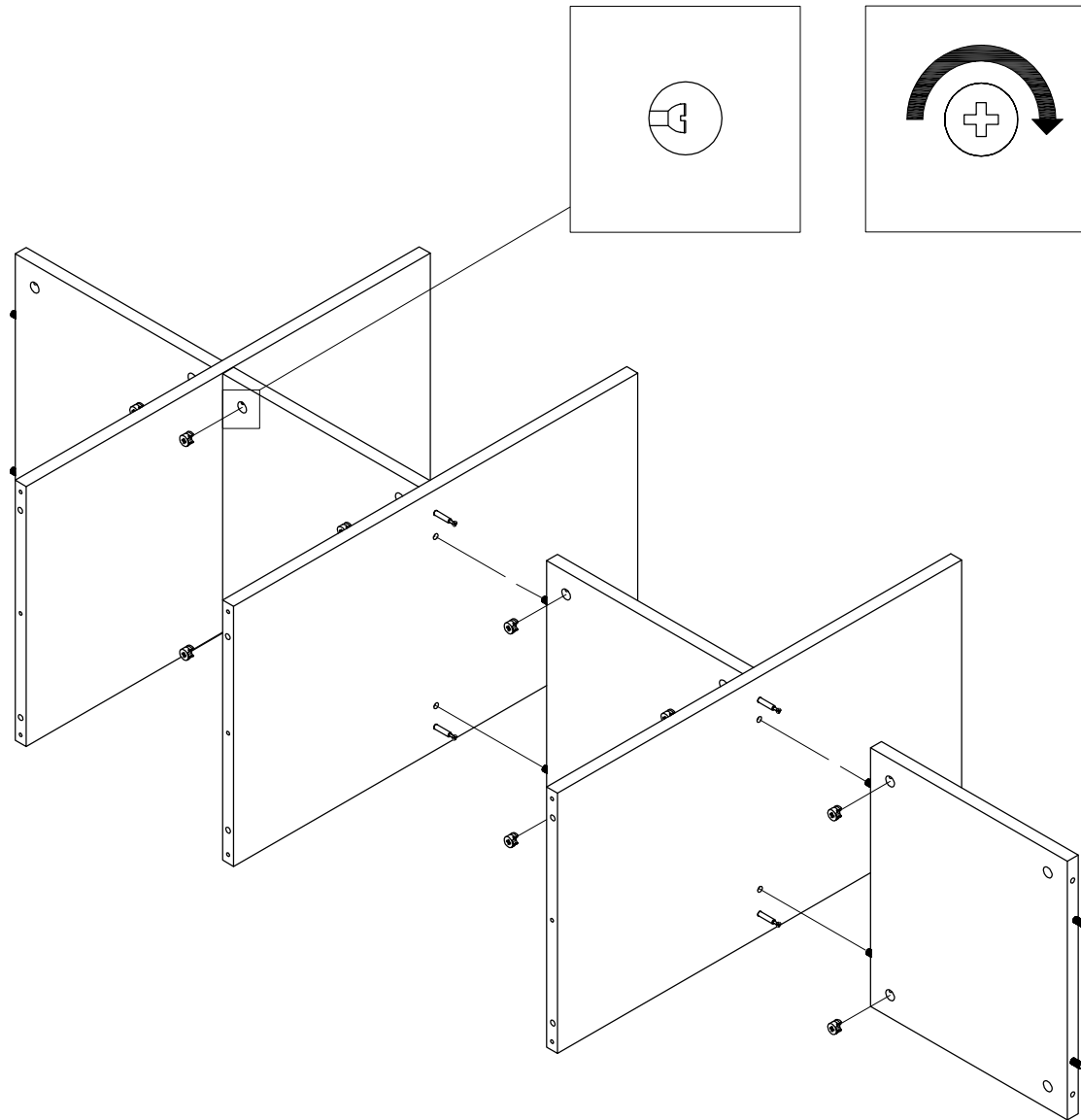
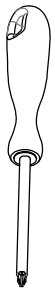


X2

STEP 3



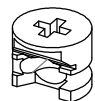
⌀ x 12



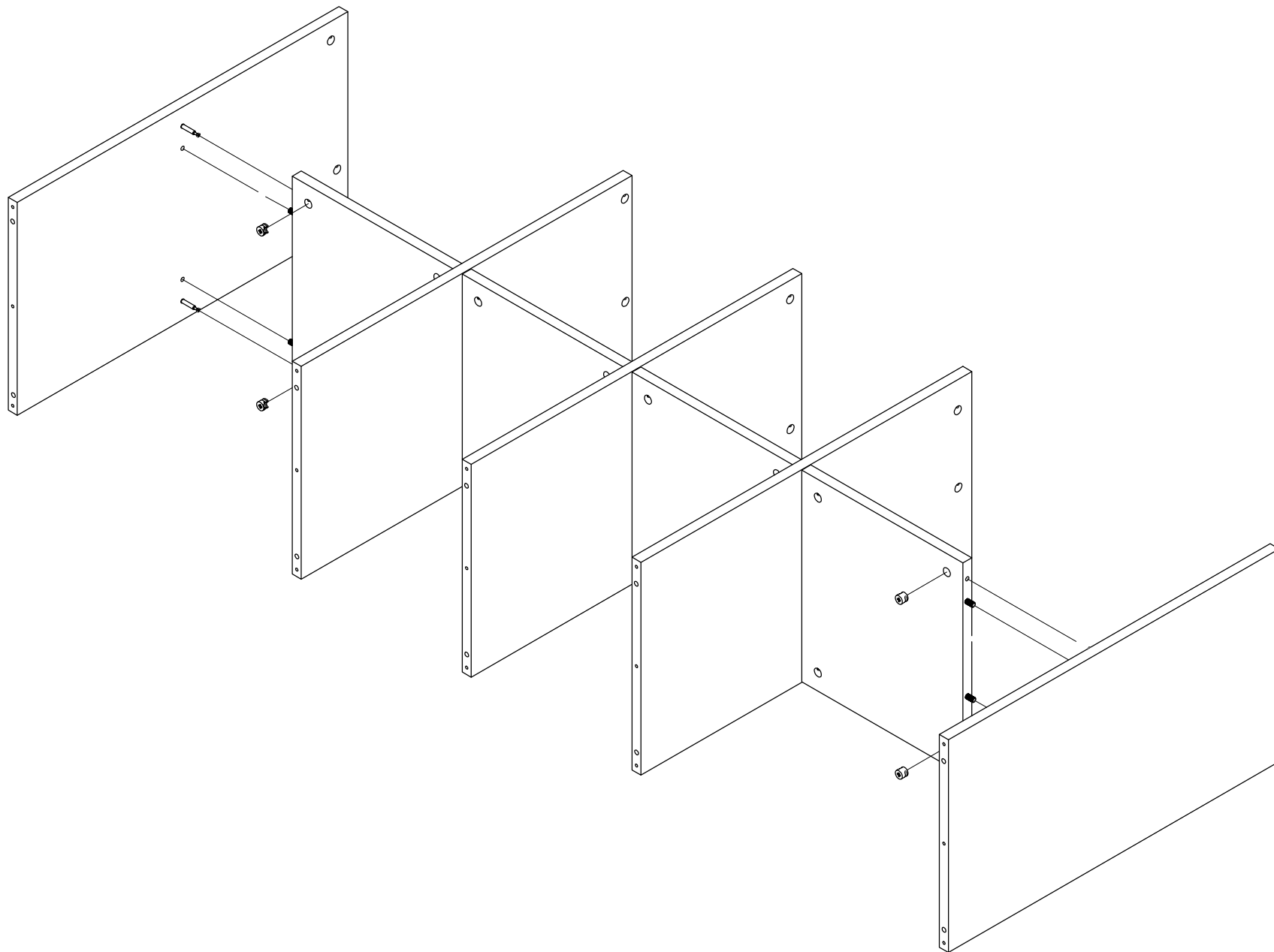
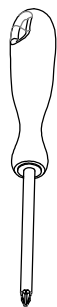
STEP 4



① x 2



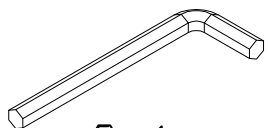
② x 4



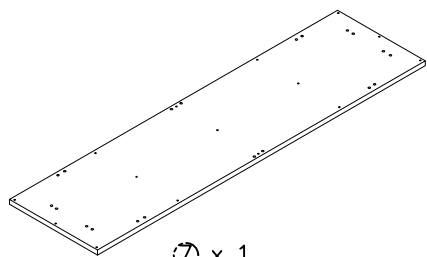
STEP 5



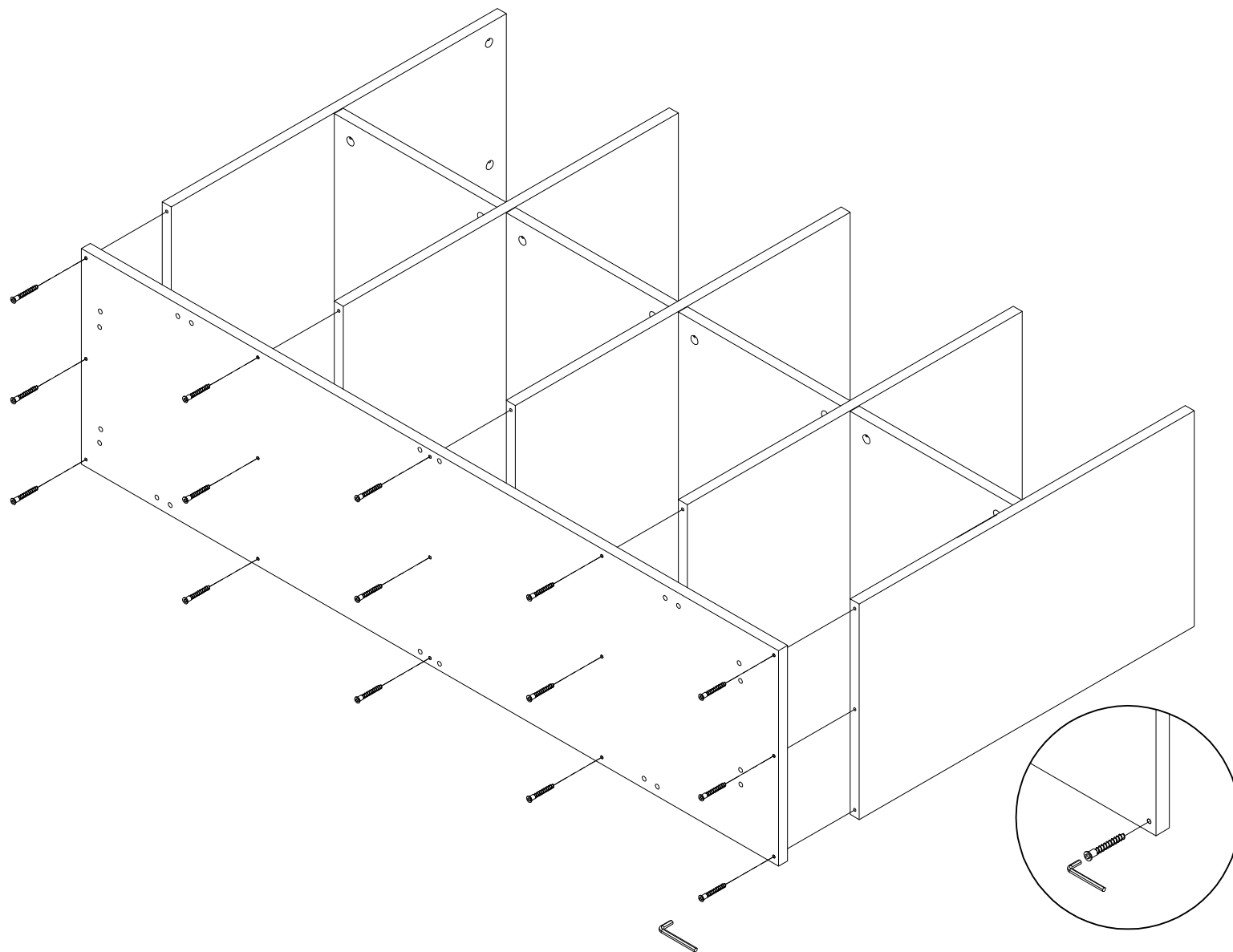
⊕ x15



⊕ x 1



⊕ x 1



STEP 6



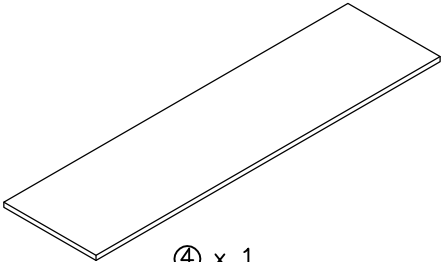
⬡ x 15



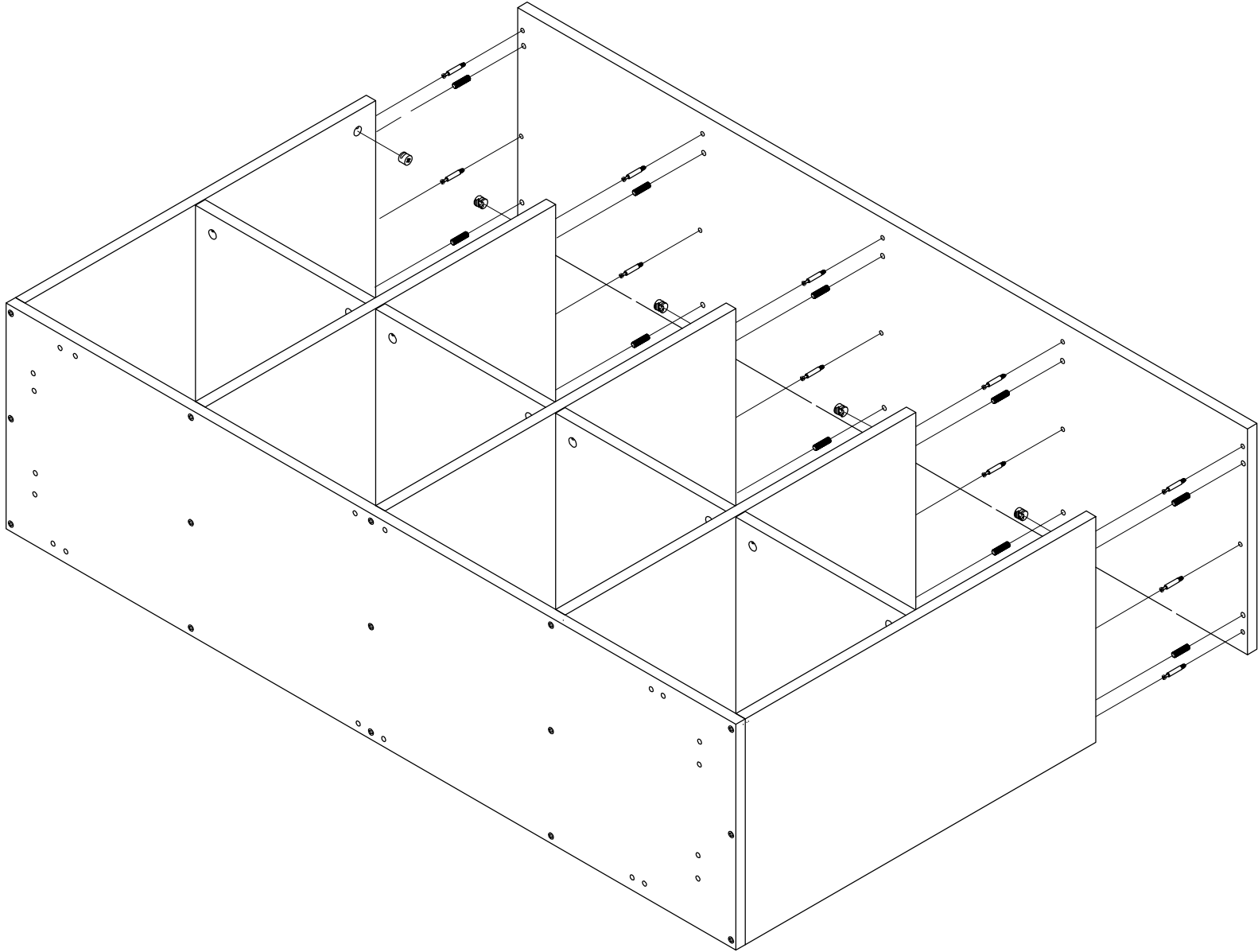
⬡ x 15



⬡ x 10



④ x 1



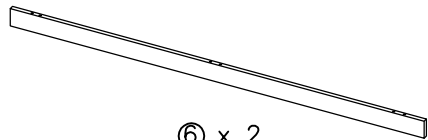
STEP 7



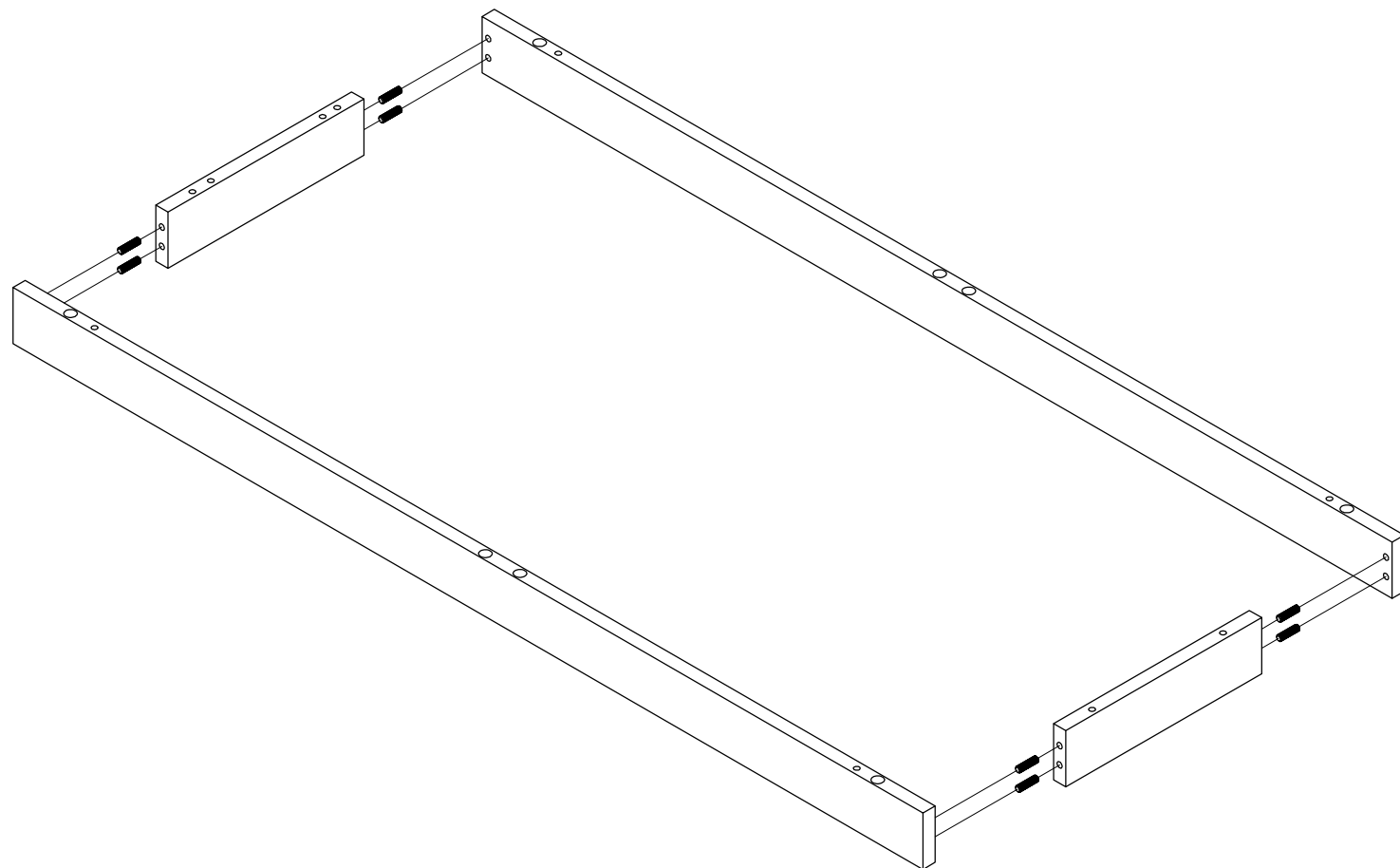
Ⓔ x 8



Ⓔ x 2



Ⓒ x 2



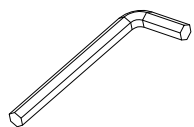
STEP 8



A x 12



E x 4



⊕ x 1

