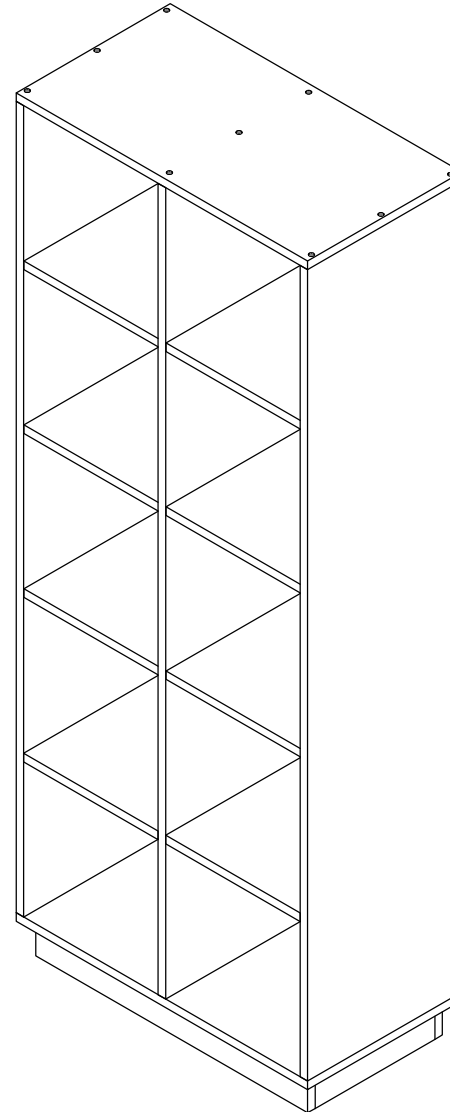


# LAXseries

by: MASHstudios

2X5 Book Case  
Assembly Instructions

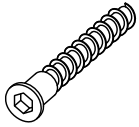


# LAXseries

by: MASHstudios

2x5 Book Case  
Parts List

Helpful Tip:  
Separating components into like  
groups speeds up the process.



A x 18



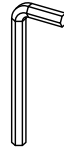
B x 16



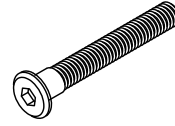
C x 34



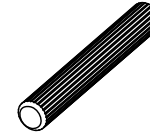
D x 16



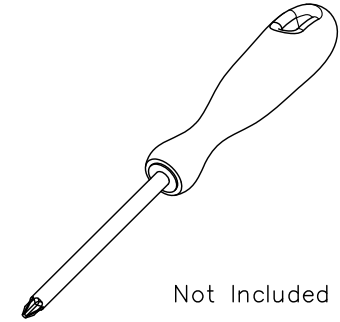
E x 1



F x 10

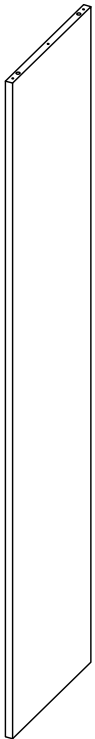


G x 8

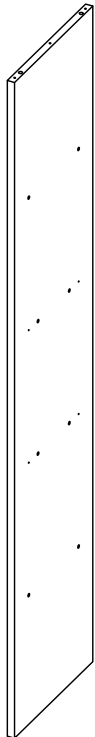


Not Included

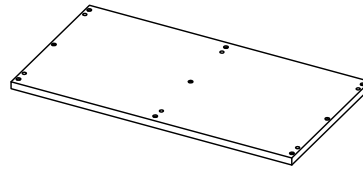
1 x 2



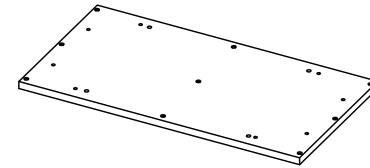
2 x 1



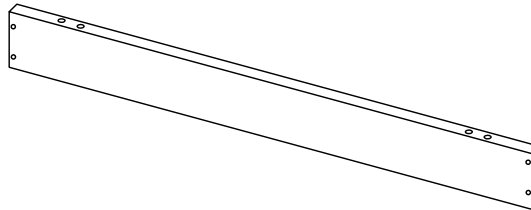
3 x 1



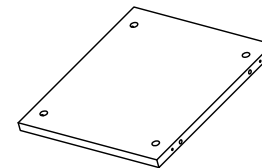
4 x 1



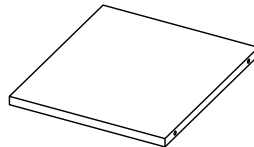
5 x 2



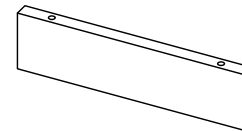
6 x 4



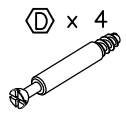
7 x 4



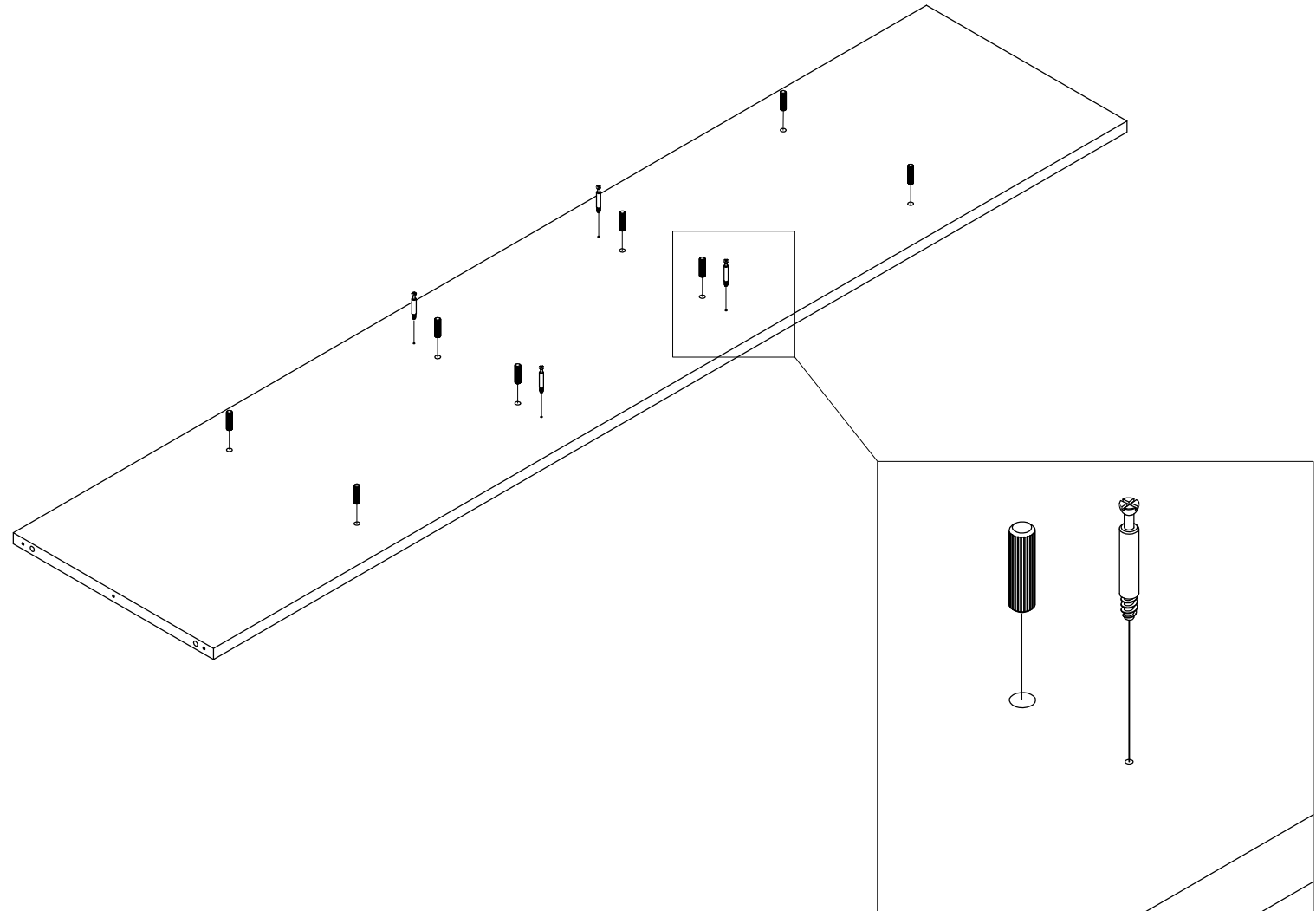
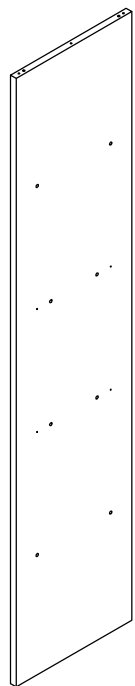
8 x 2



STEP 1

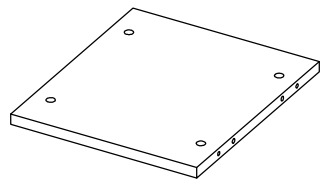


① x 1

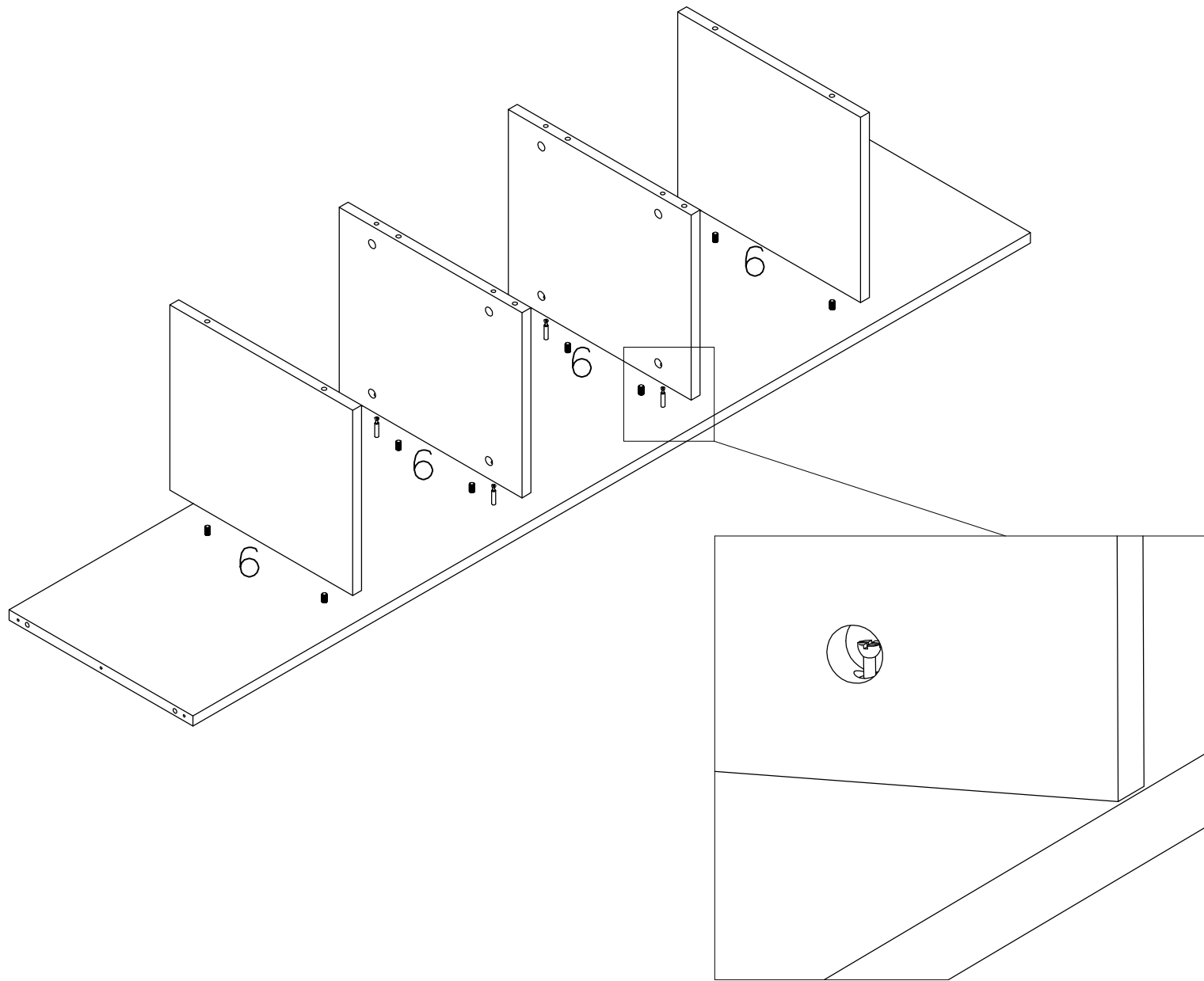
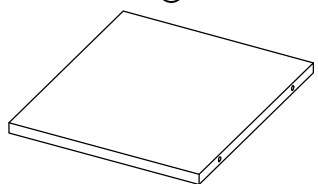


STEP 2

⑥ x2

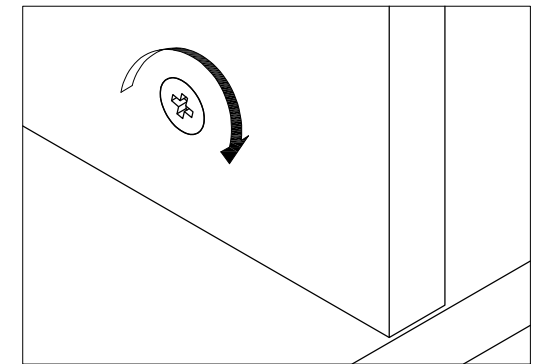
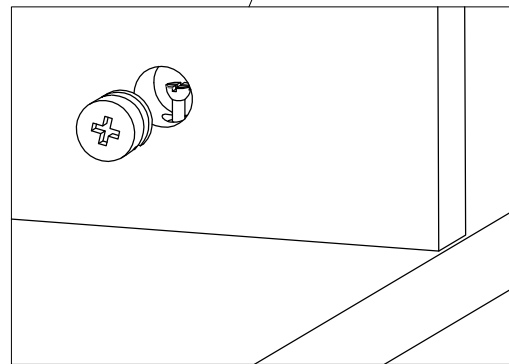
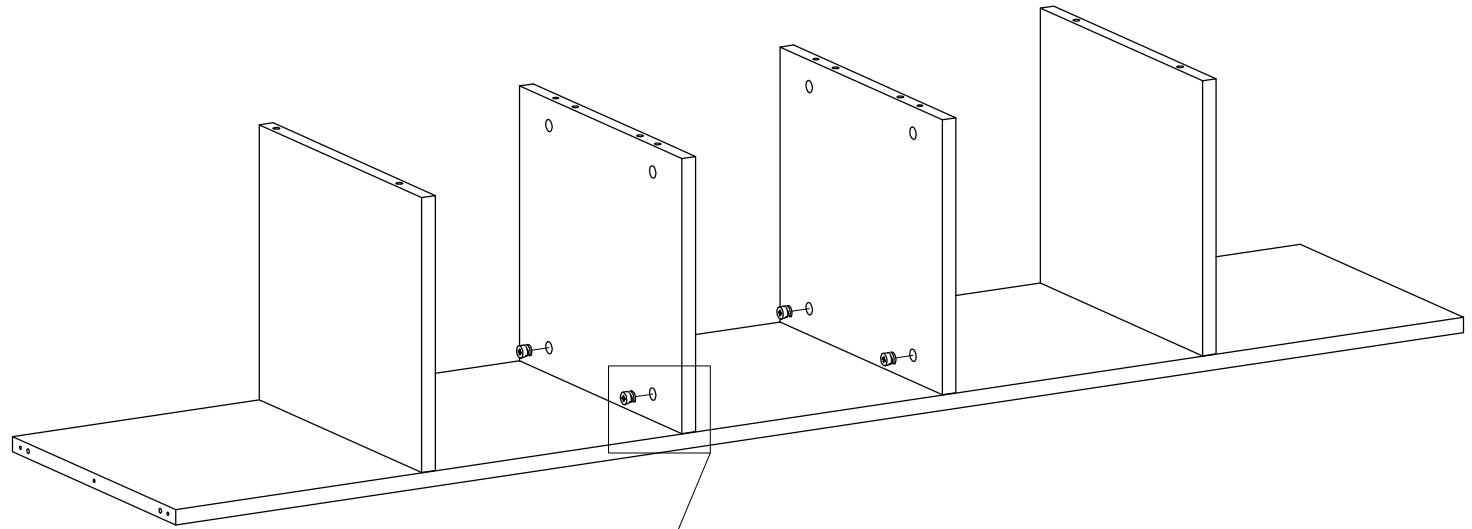
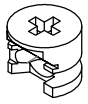


⑦ x2



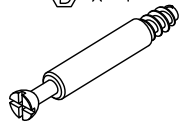
STEP 3

⊕ x 4

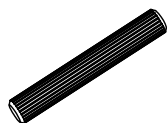


STEP 4:

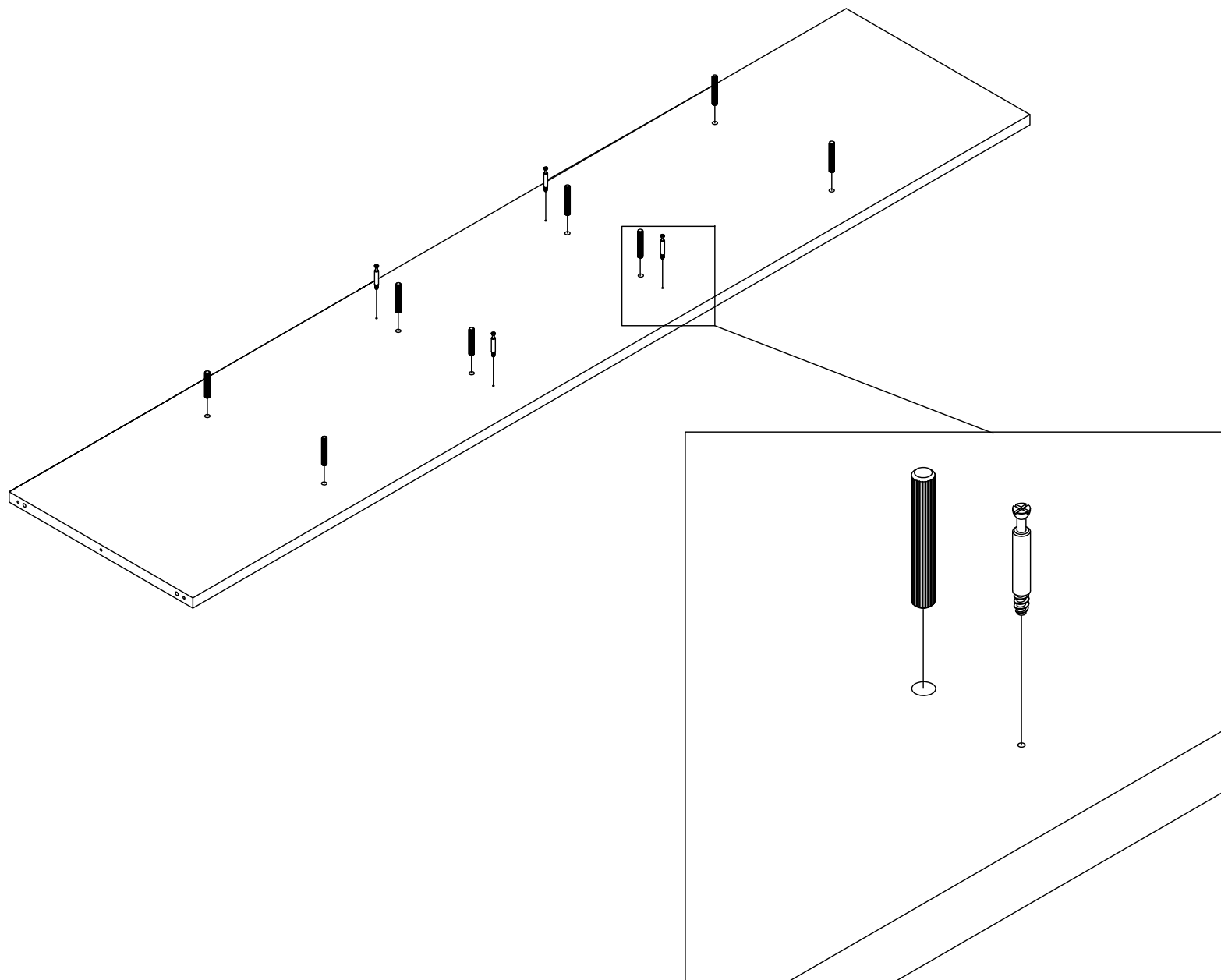
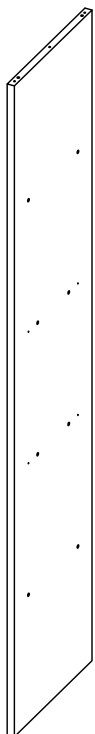
⊕ x 4



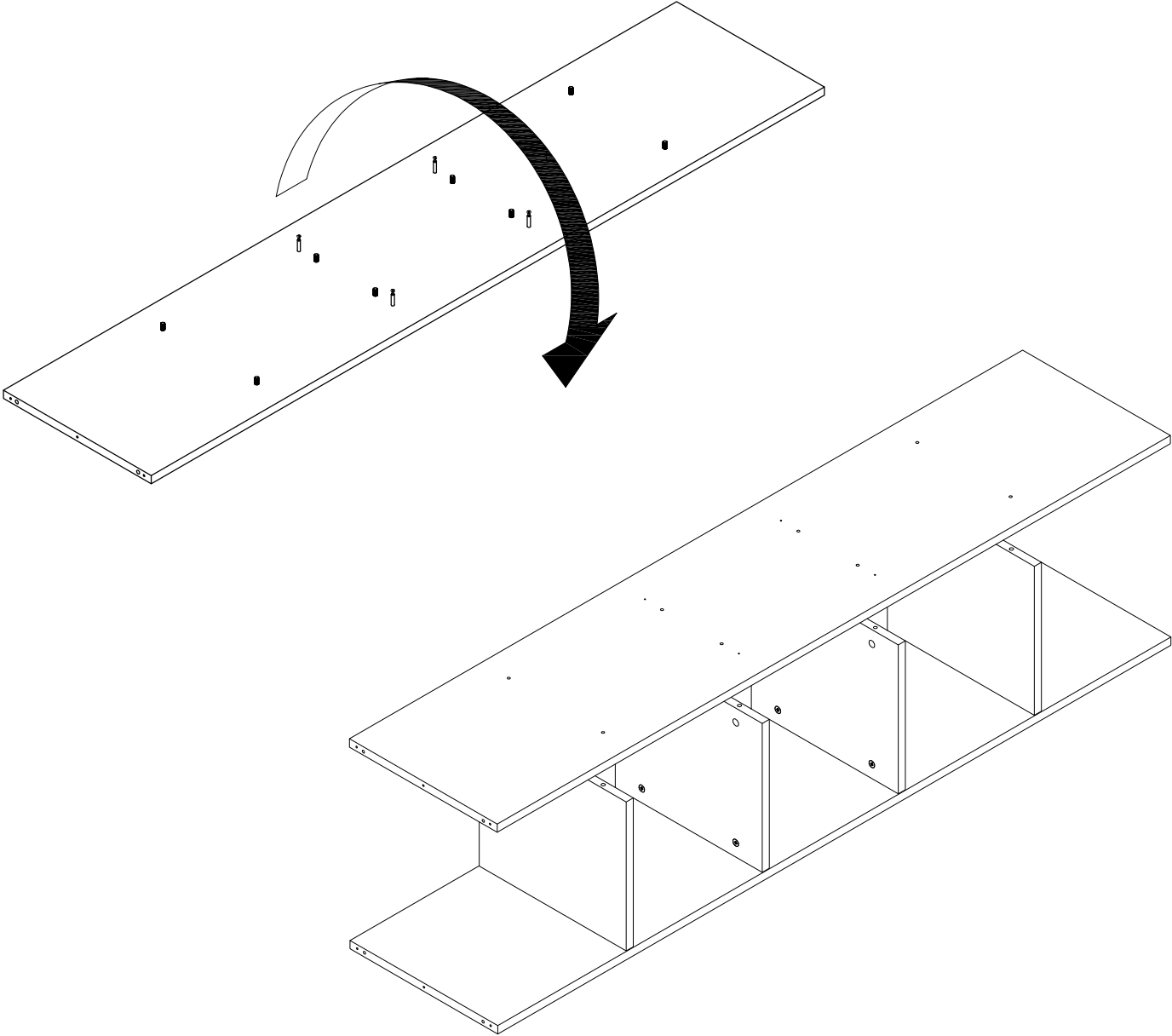
⊕ x 8



② x 1

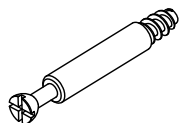


STEP 5

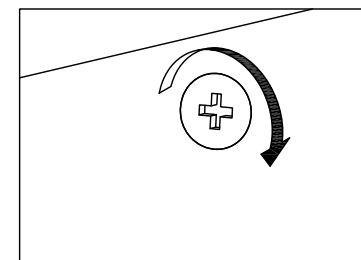
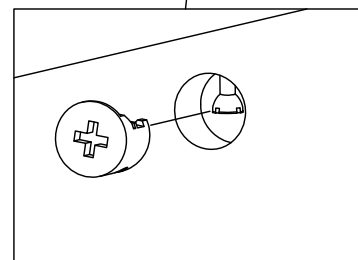
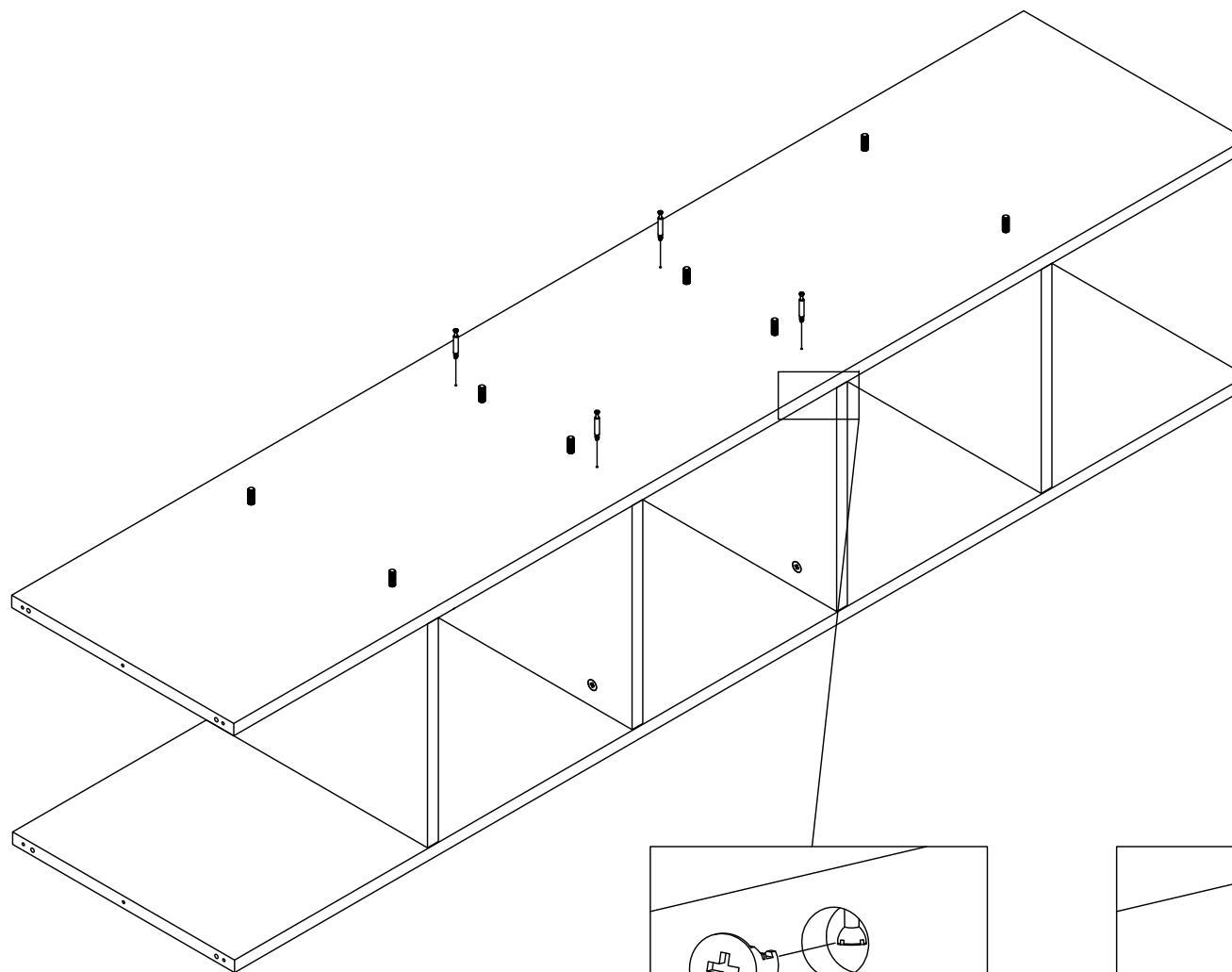
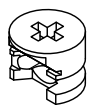


STEP 6

⊕ x 4



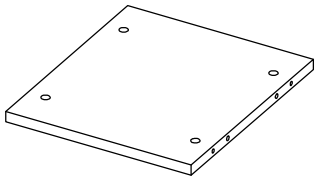
⊕ x 4



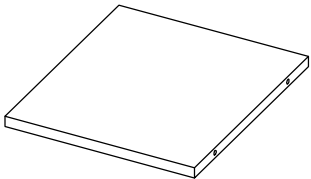


STEP 7

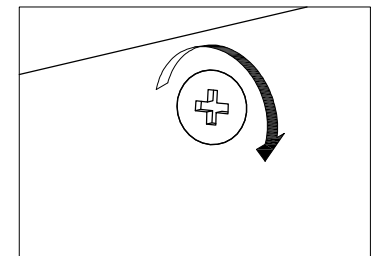
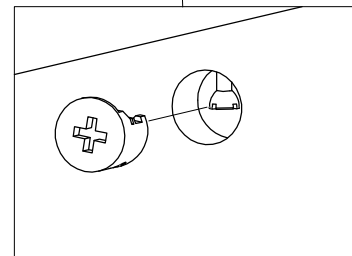
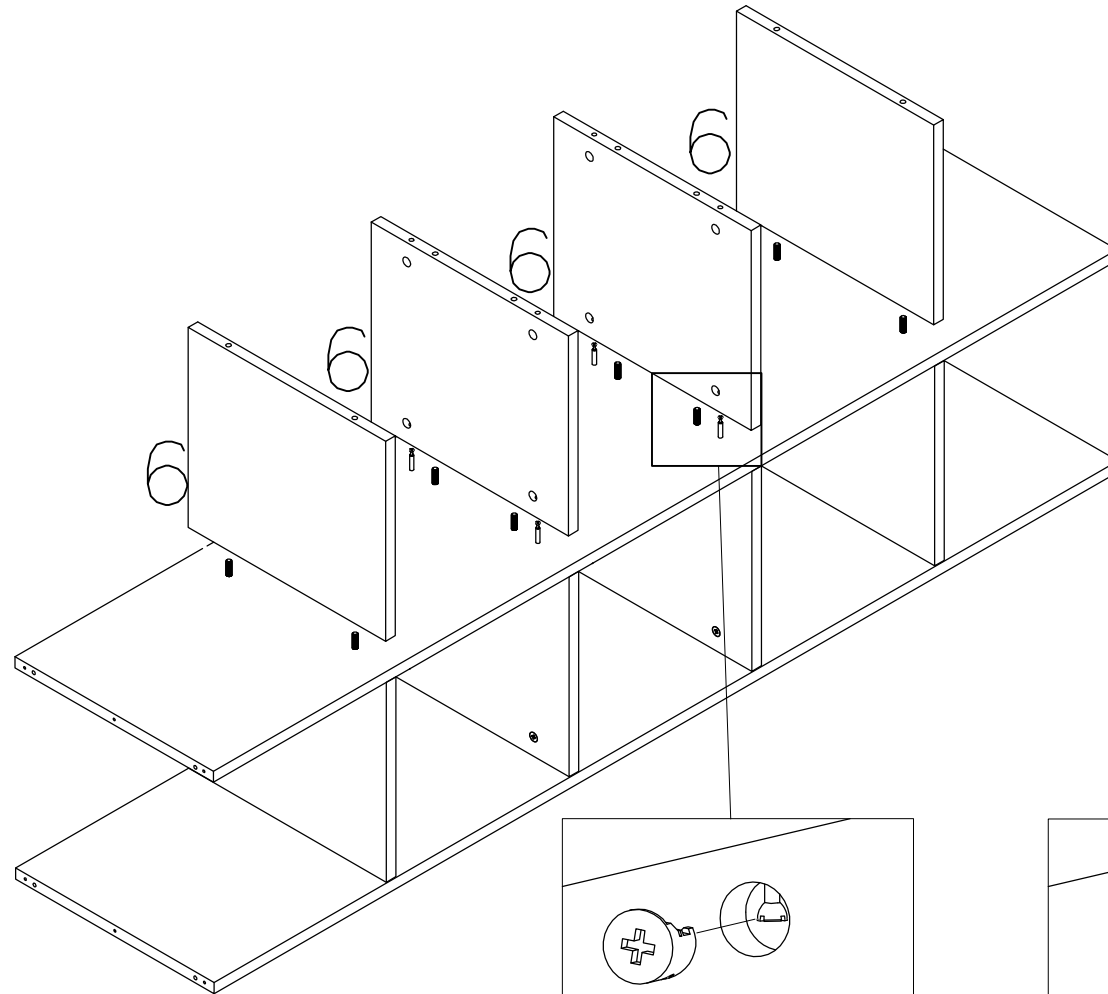
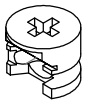
⑥ x2



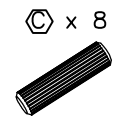
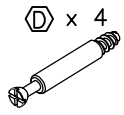
⑦ x2



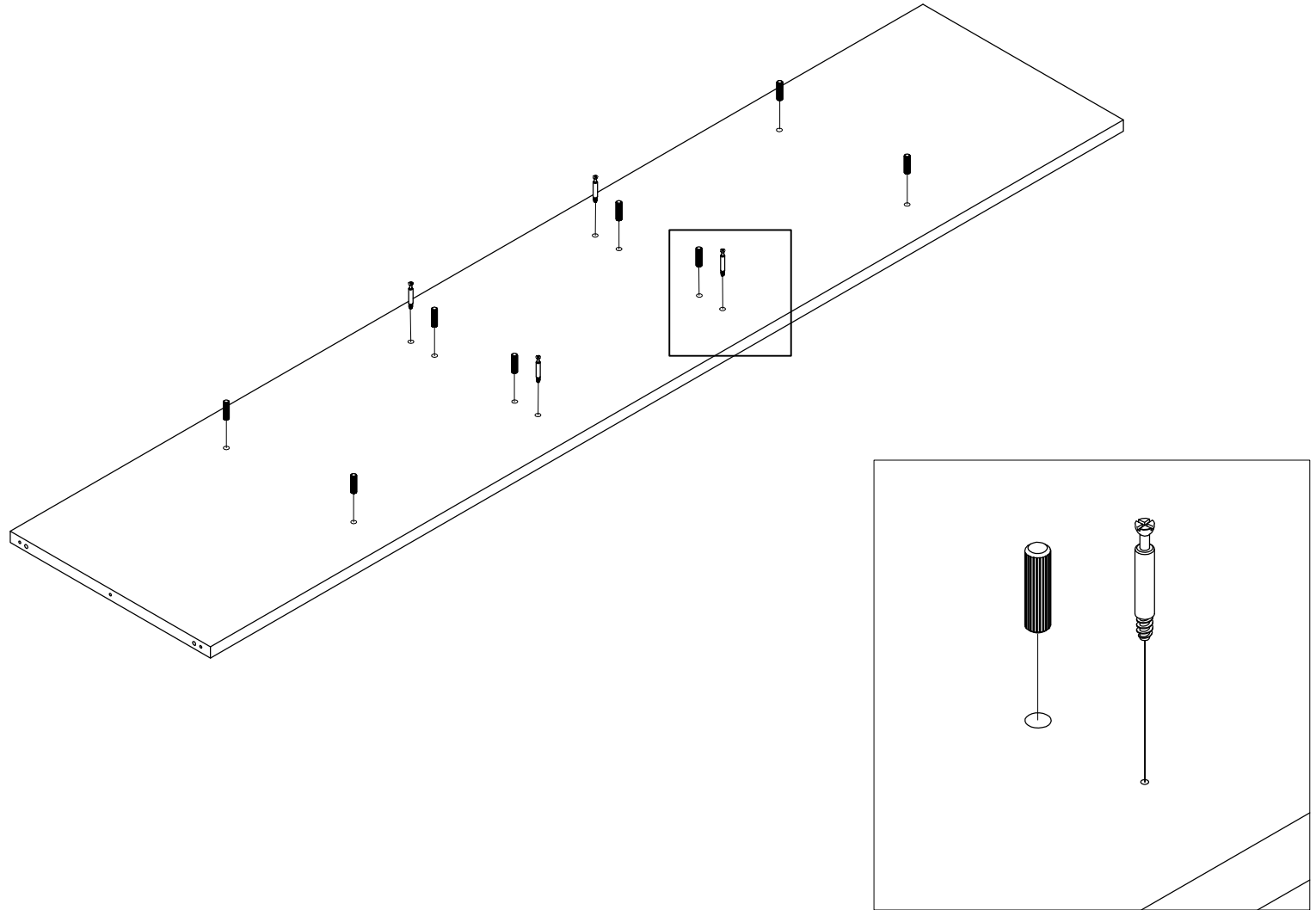
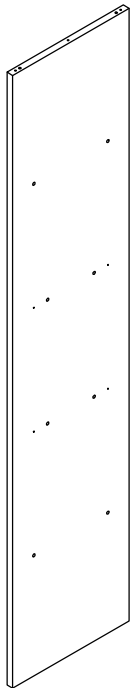
⑧ x 4



STEP 8

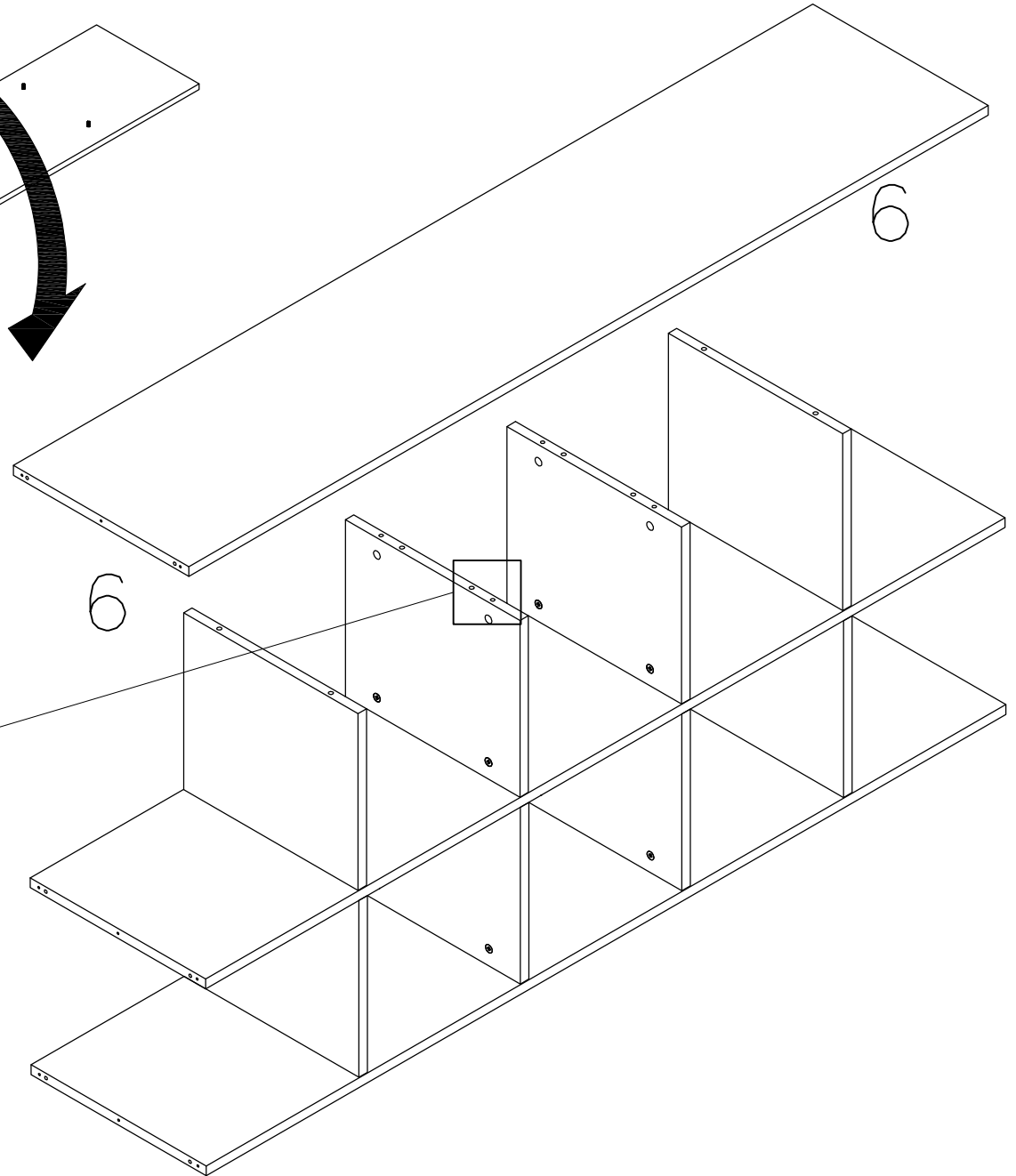
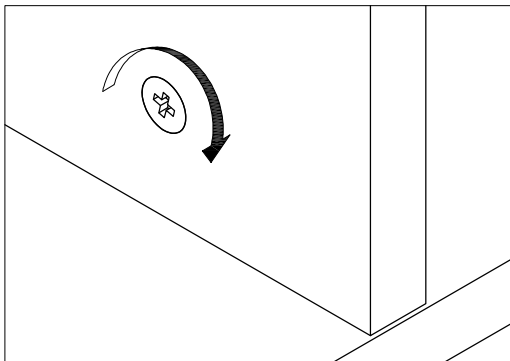
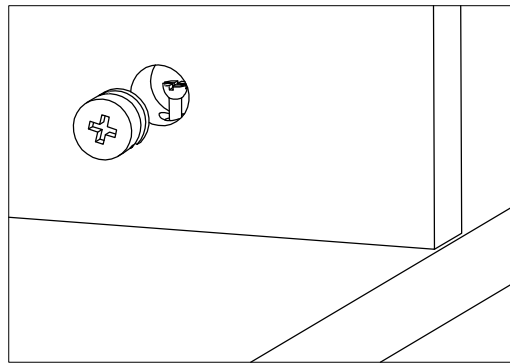
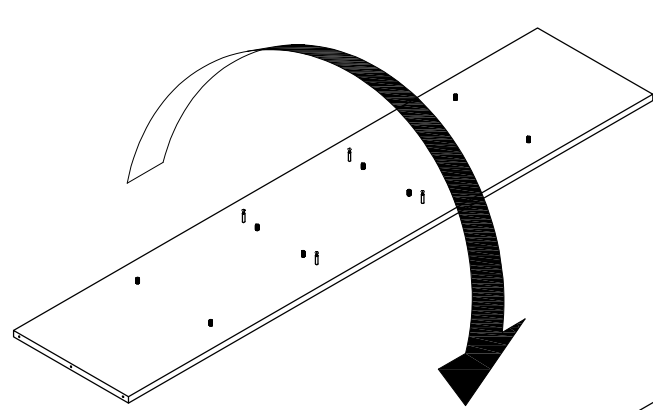
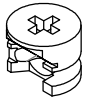


① x 1



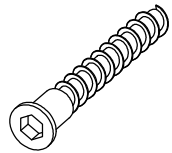
STEP 9

⊕ x 4

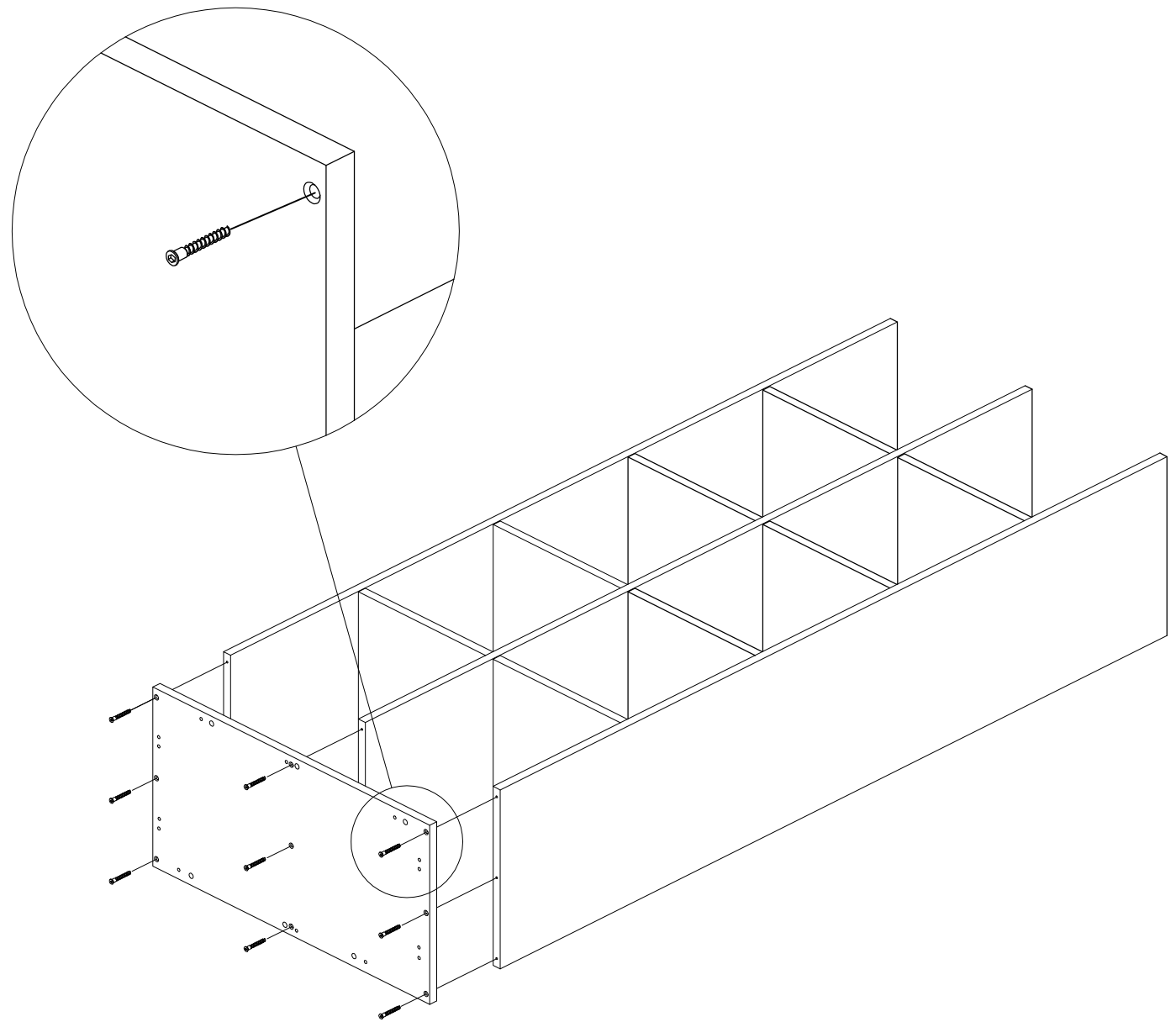
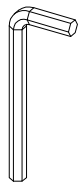


STEP 10

A x 9

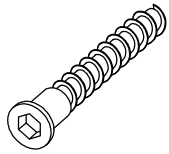


E x 1

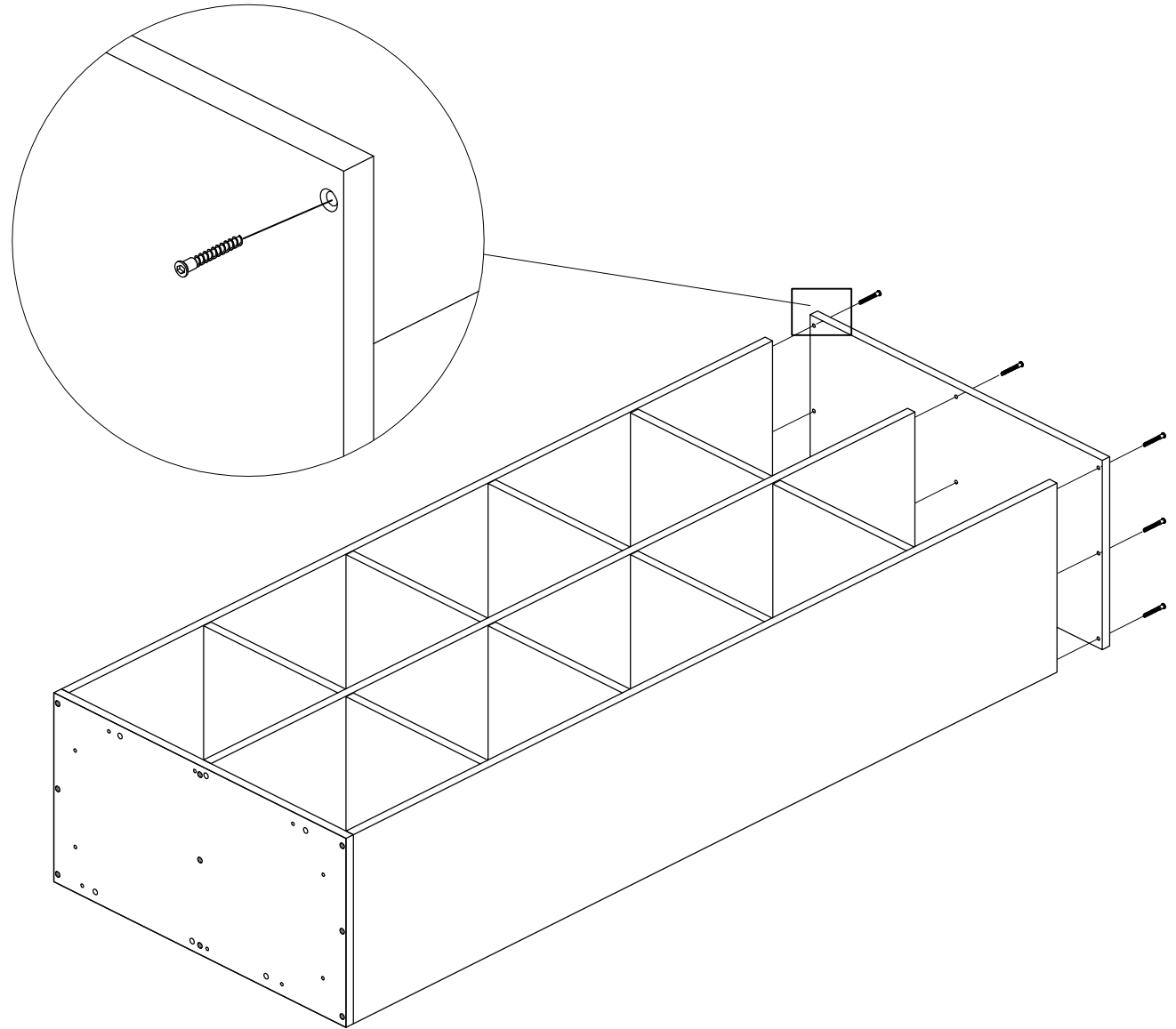
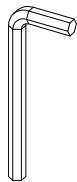


STEP 11

A x 9

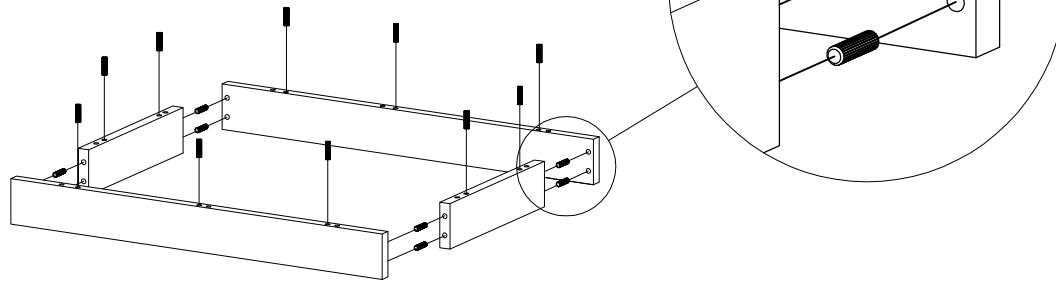


E x 1



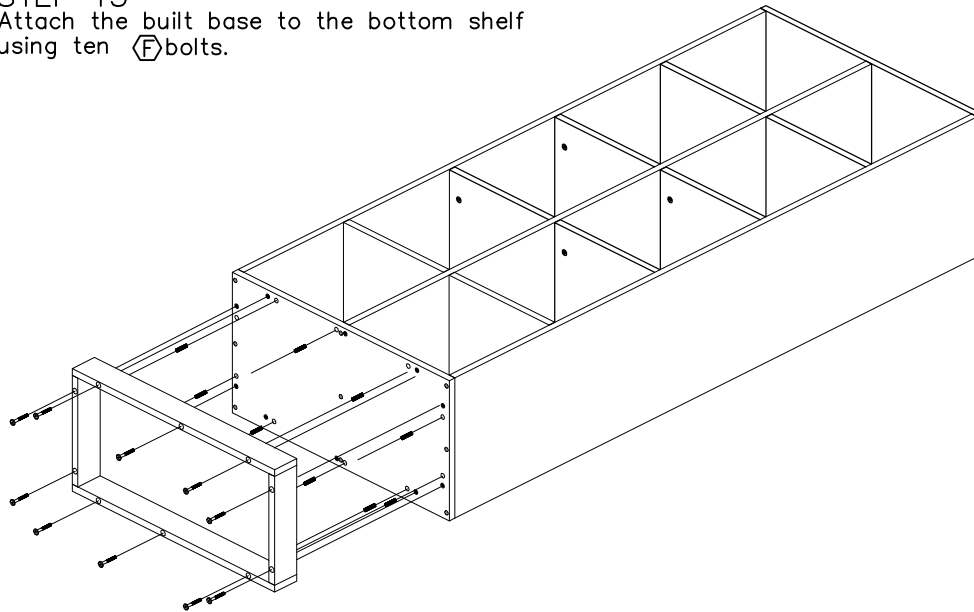
### STEP 12

Assemble the base with two long base pieces ⑤, two short base pieces ⑧, and 18 dowels ①. Make sure that the stepped holes are all facing the same direction.



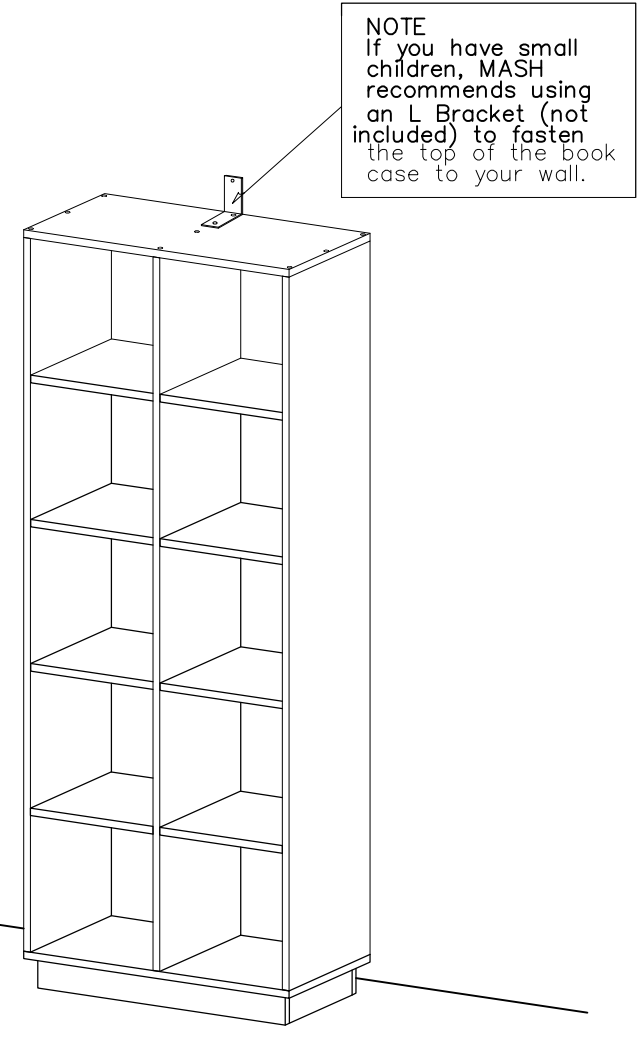
### STEP 13

Attach the built base to the bottom shelf using ten ⑥ bolts.



### STEP 14

Using two people, carefully stand the shelf up and position it in place.



**NOTE**  
If you have small children, MASH recommends using an L Bracket (not included) to fasten the top of the book case to your wall.