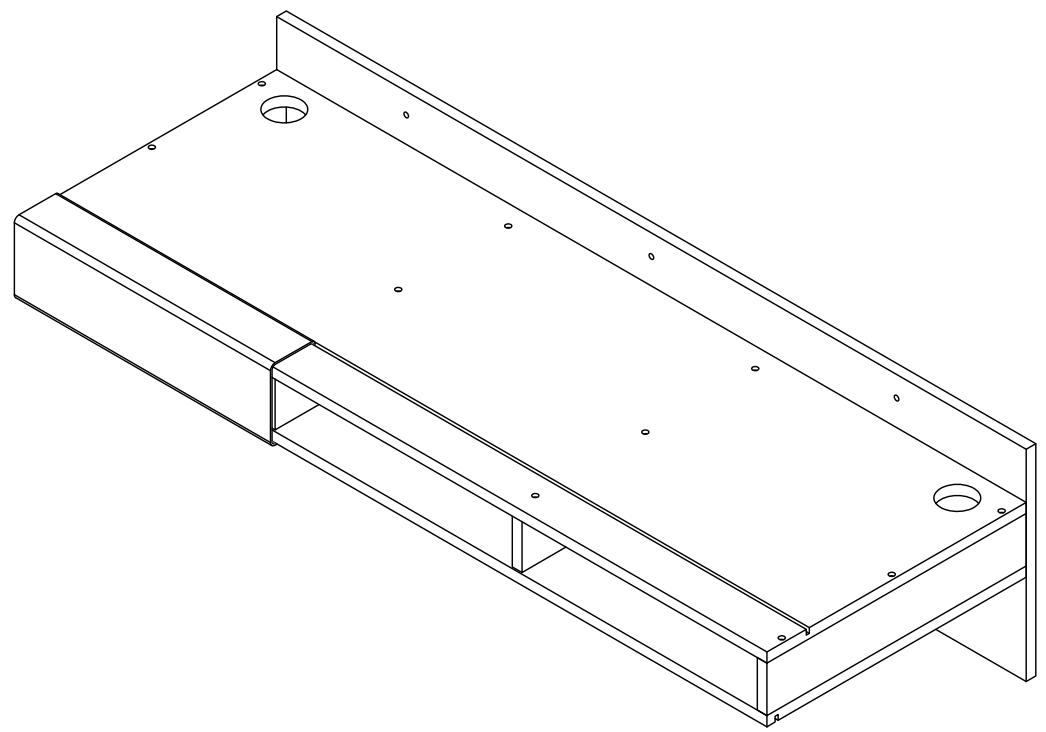


# LAXseries

by: VASHstudios

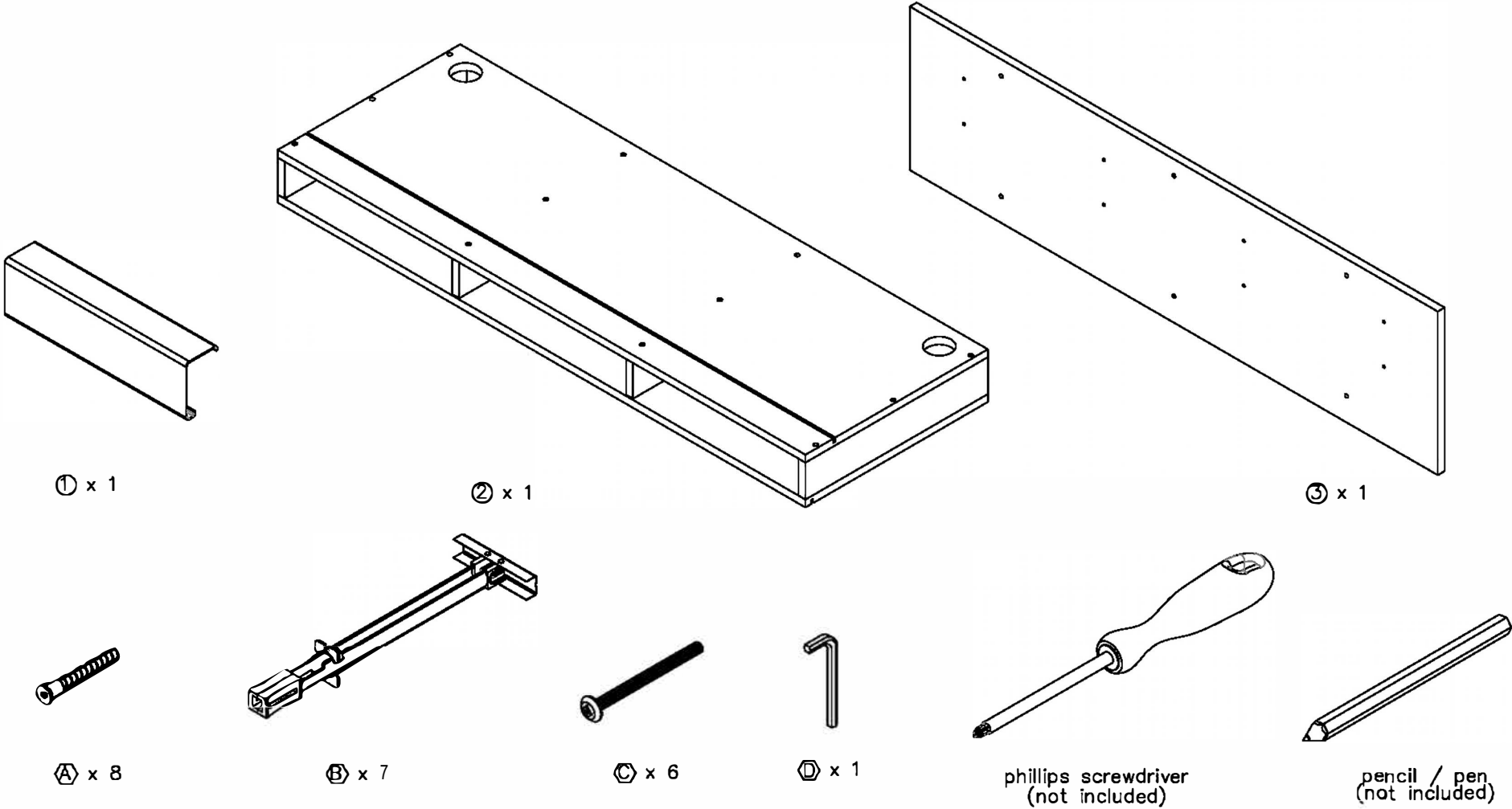
Wall Mounted Desk  
Assembly Instructions



# L A X series

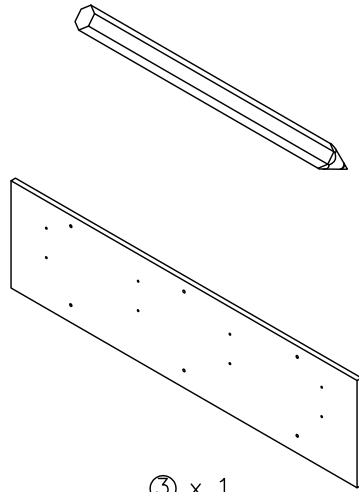
by: MASH studios

Wall Mounted Desk  
Parts List

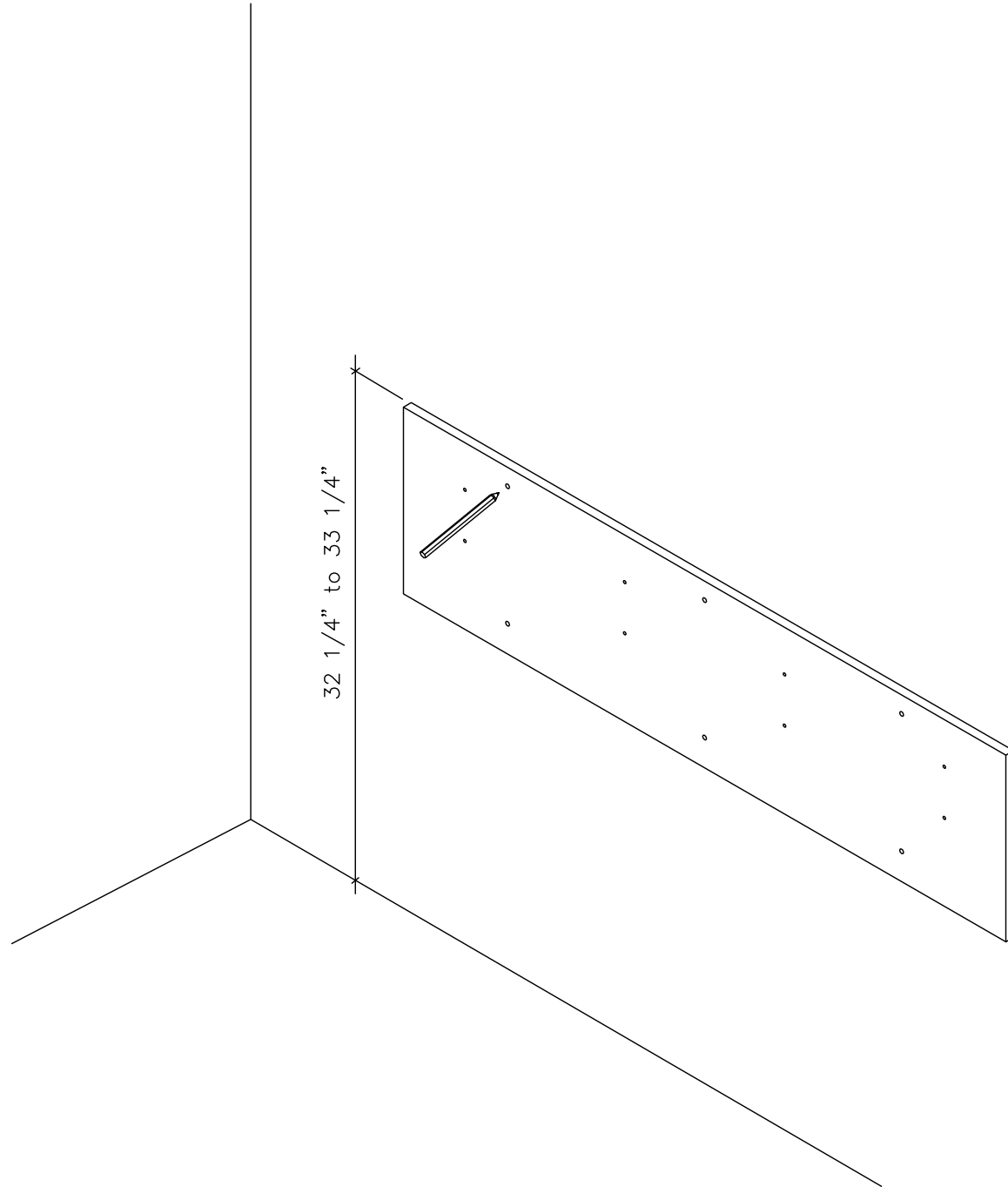


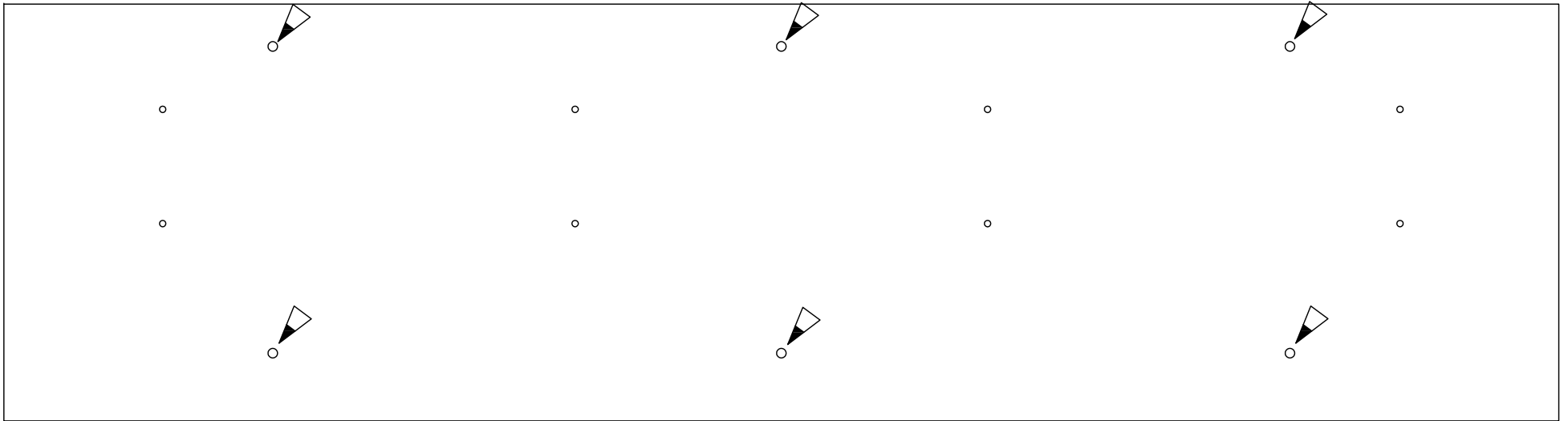
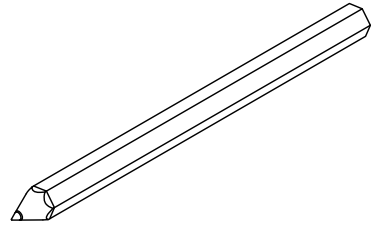
## STEP 1

Use part ③ to locate placement of the Wall Mounted Desk. Check to ensure part is level. Mark with pencil the location of six holes to be drilled. Drill a 1/2" hole at the six shown locations on the next page.

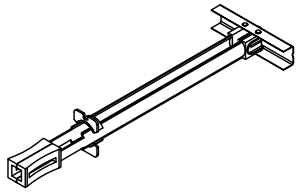


③ x 1

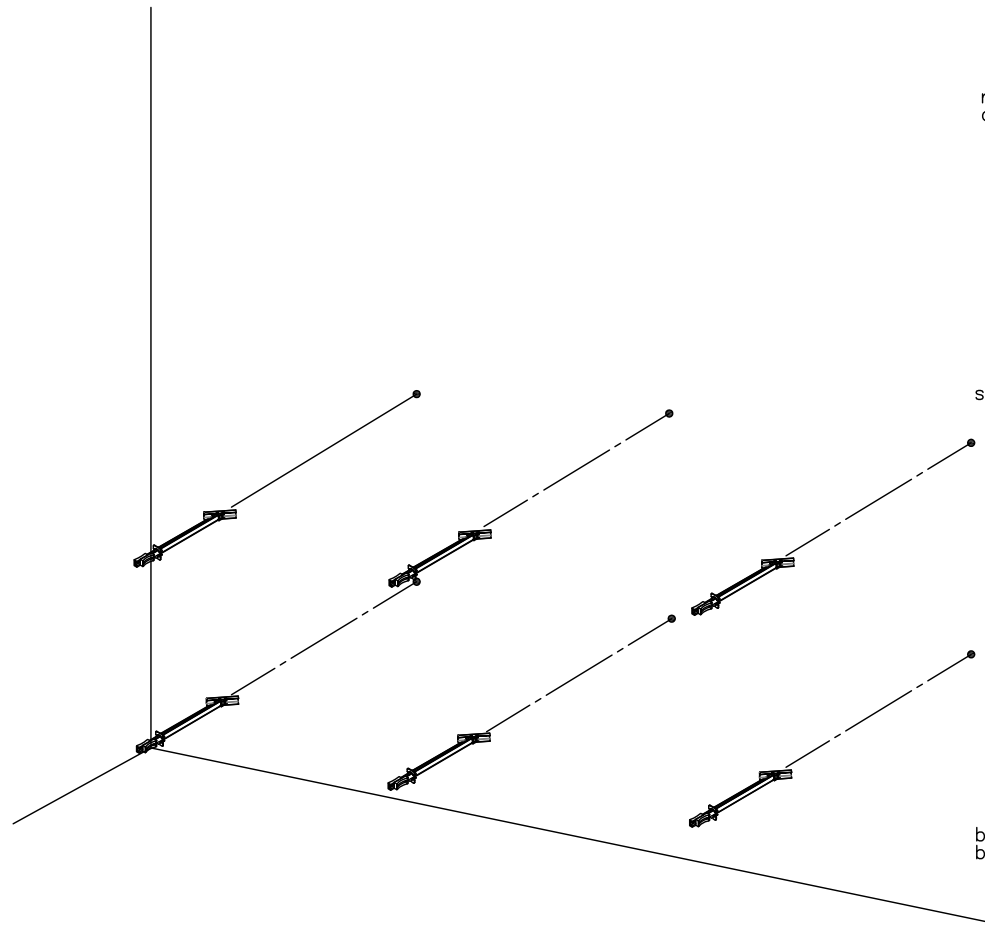




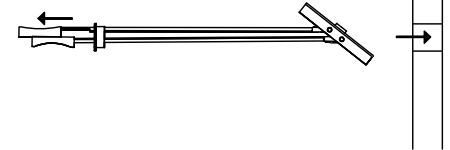
STEP 2



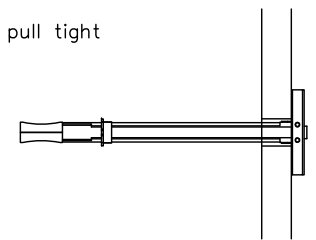
⊞ x 6



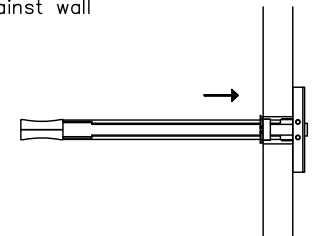
rotate toggle,  
push through drilled holes



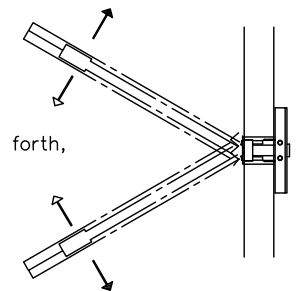
rotate back, pull tight  
against wall



slide cap against wall



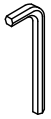
bend back and forth,  
break off ends



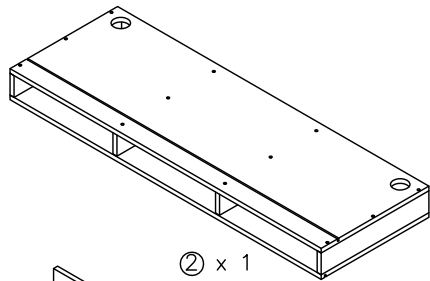
STEP 3



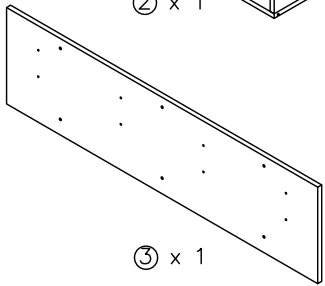
A x 8



D x 1

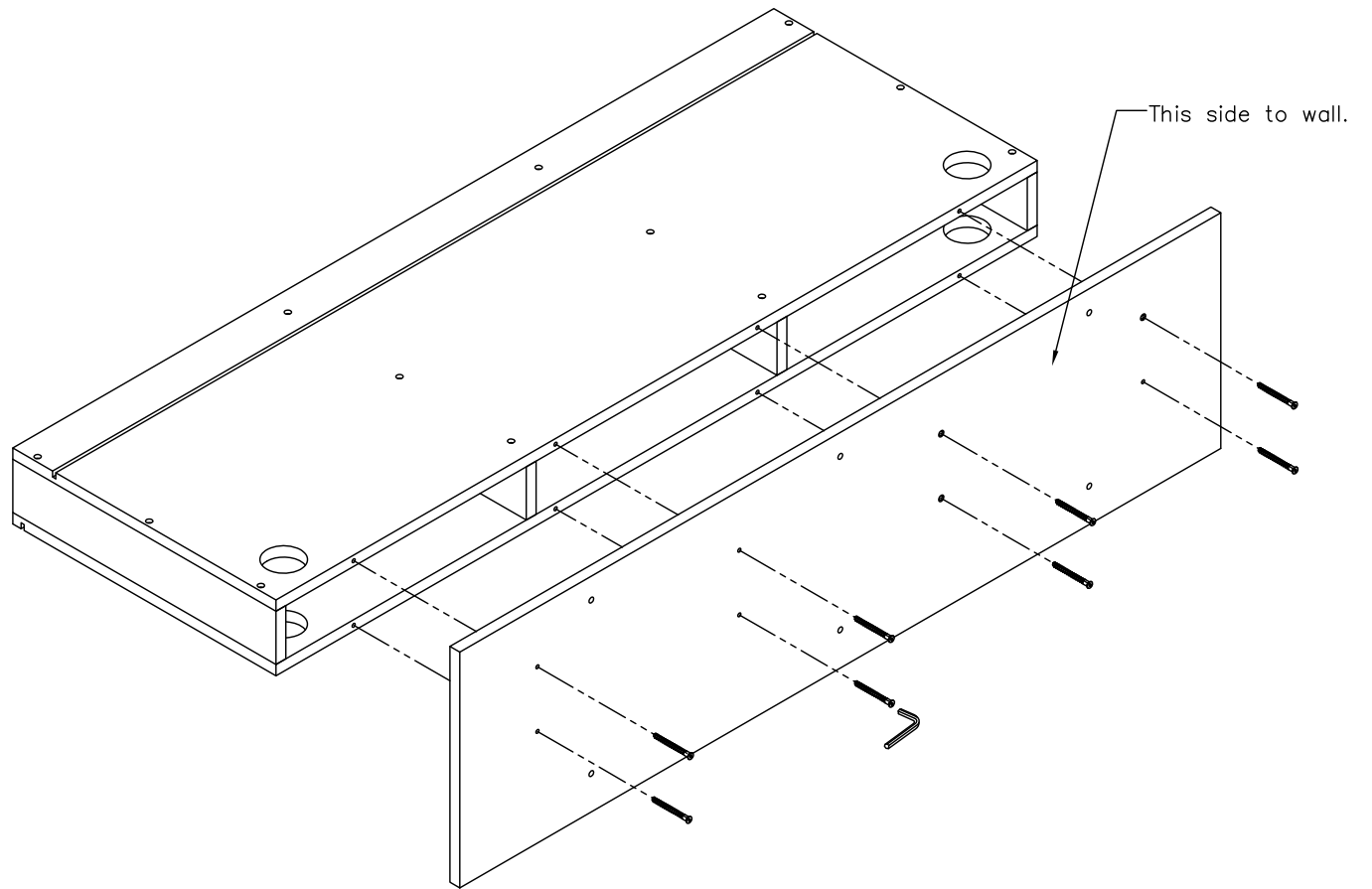
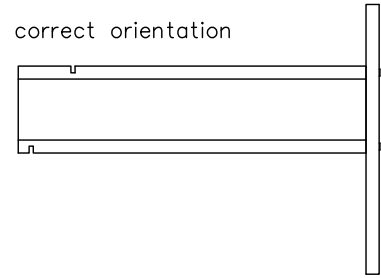


2 x 1



3 x 1

correct orientation

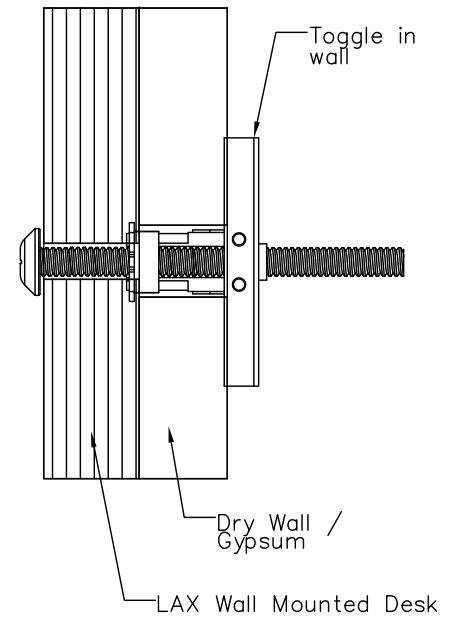
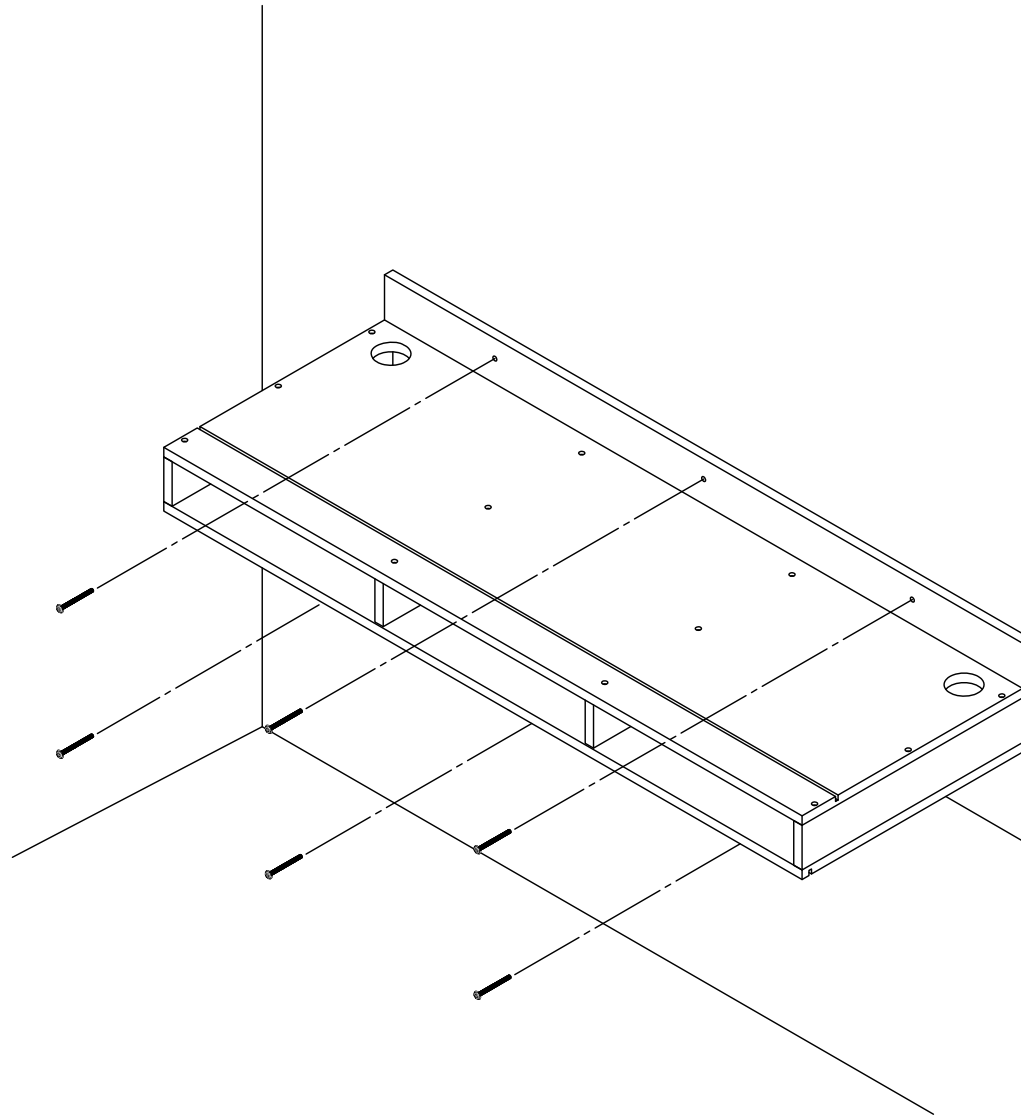


## STEP 4

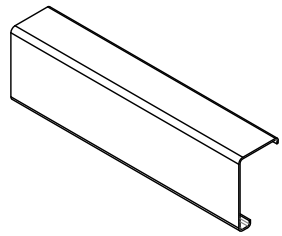
Have someone hold the desk in place while the six toggle bolts are installed.



⬡ x 6



STEP 5



① x 1

Align cover at top and bottom  
with routed groove in Wall  
Mounted Desk

