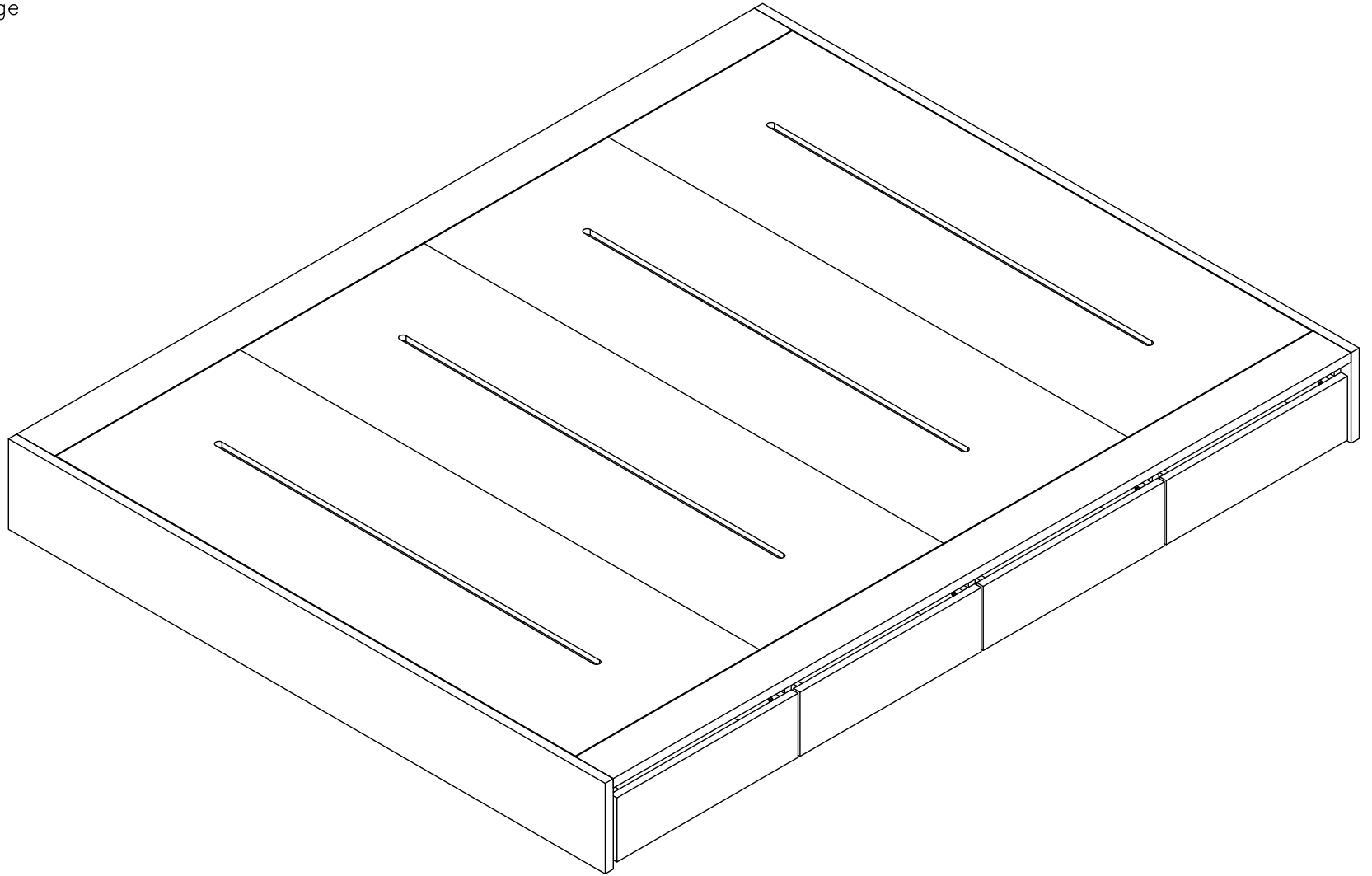


L A X series

by: VASHstudios

Q Platform with Storage
Assembly Instructions



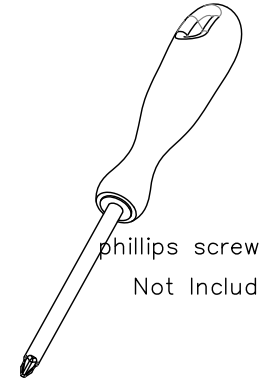
LAXseries

by: VASHstudios

Q Platform with Storage
Assembly Instructions

Helpful Tip:

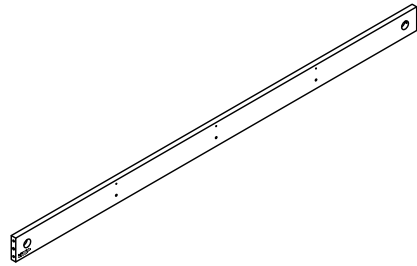
Separating components into like groups, speeds up the process.



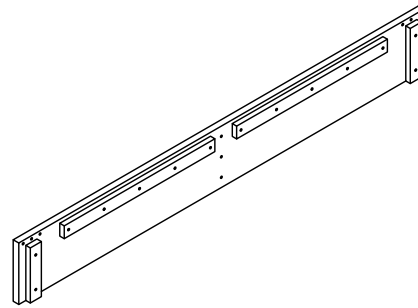
phillips screwdriver
Not Included



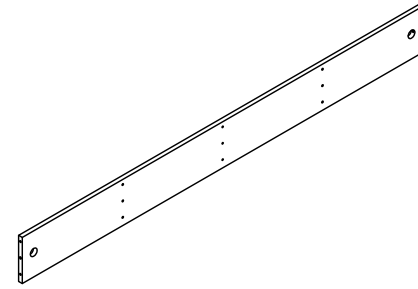
M x 1



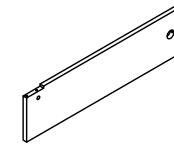
① x 2



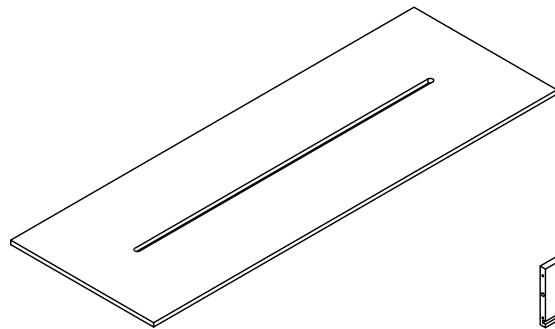
② x 2



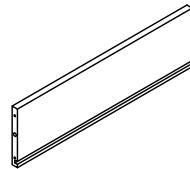
③ x 1



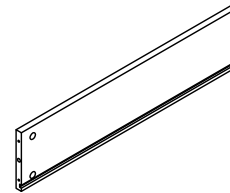
④ x 6



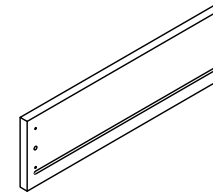
⑤ x 4



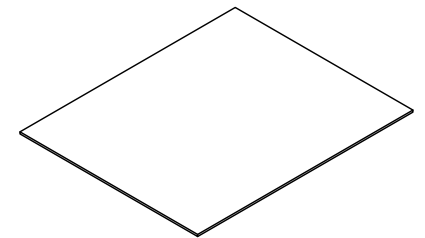
⑥ x 8



⑦ x 16

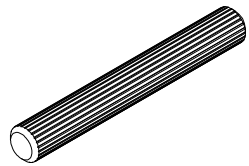


⑧ x 8

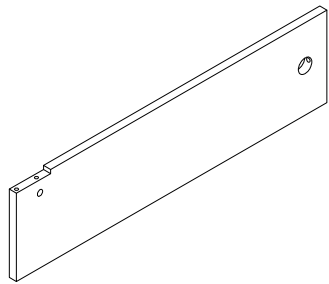


⑨ x 8

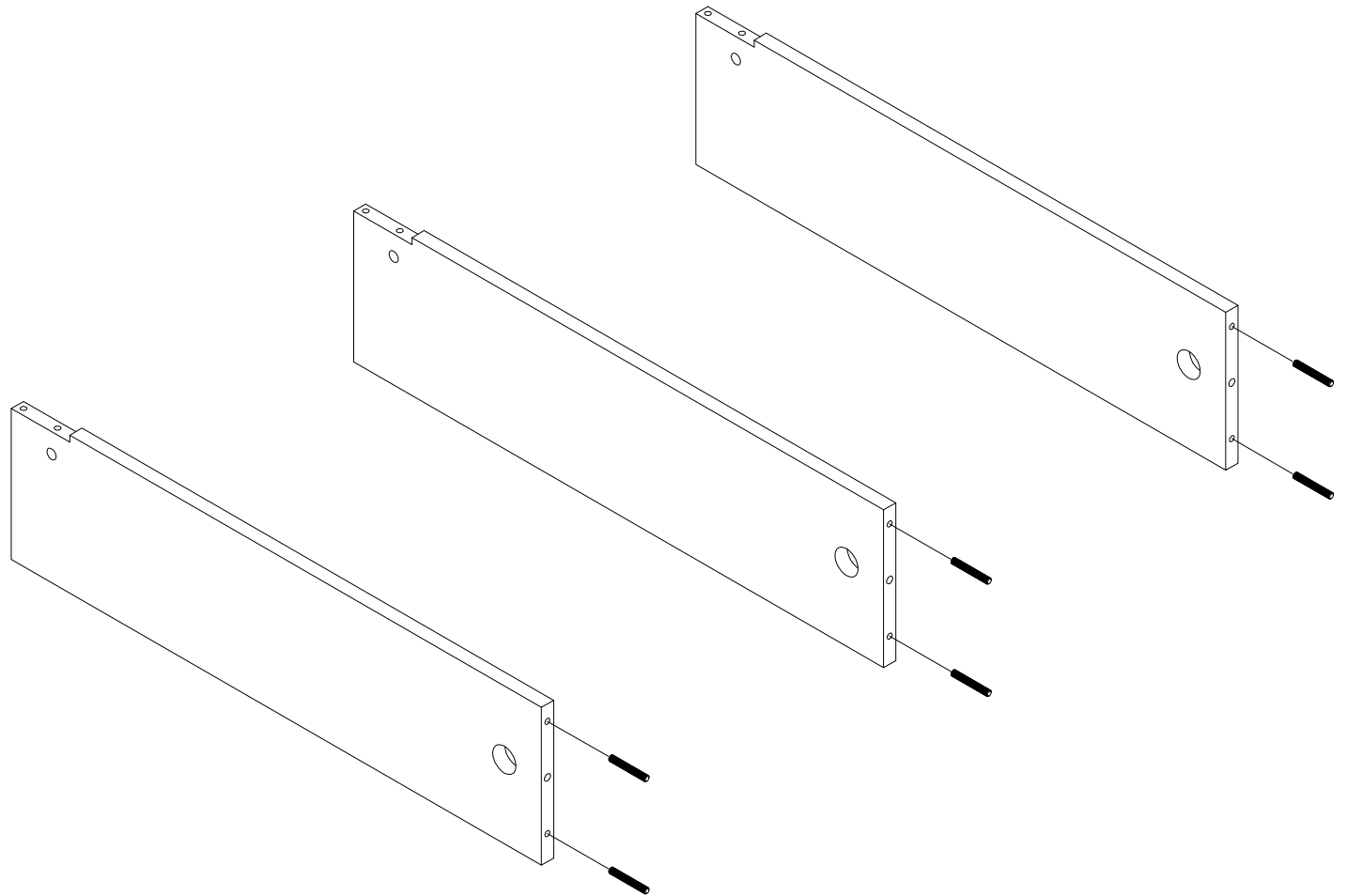
STEP 1



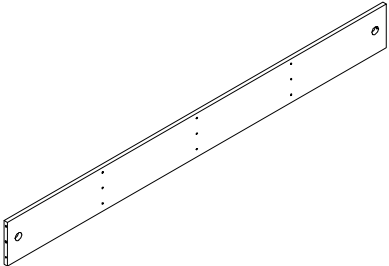
⑤ x 6



④ x 3



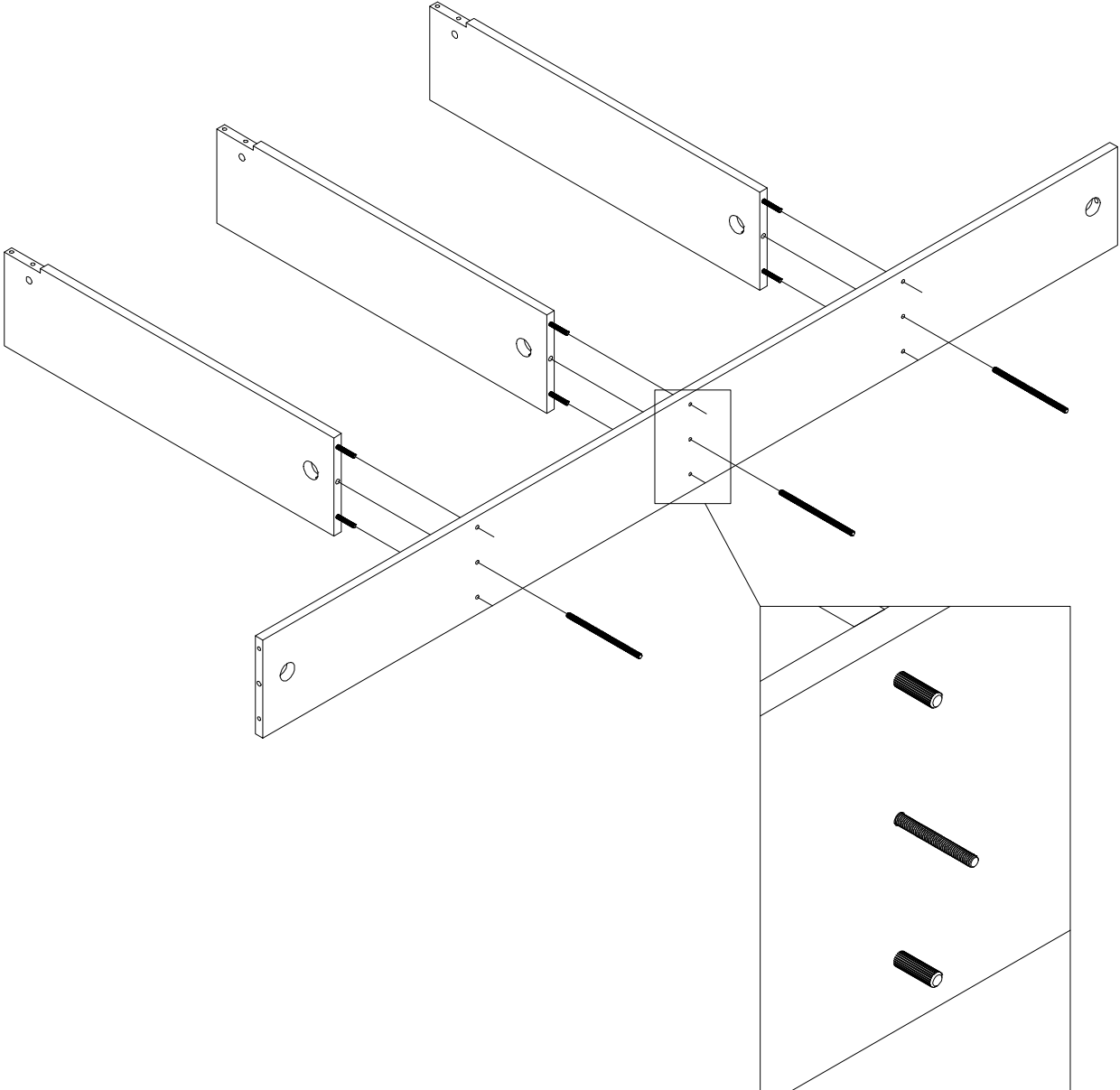
STEP 2



③ x 1



⑥ x 3



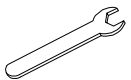
STEP 3



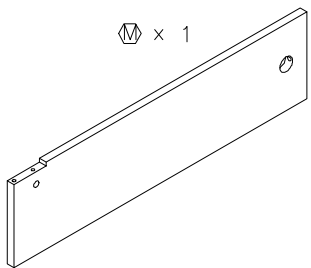
⬡ x 6



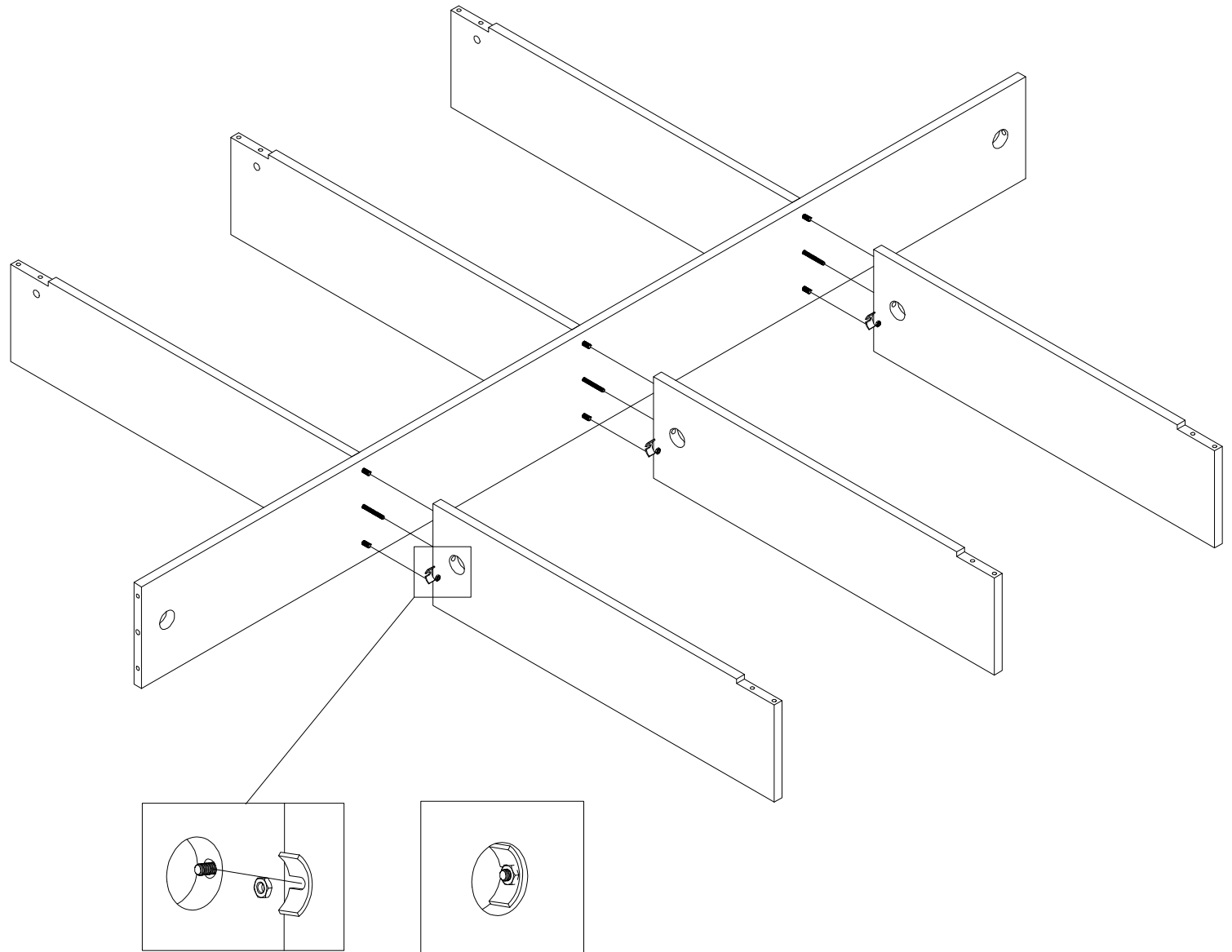
⬡ x 6



⬡ x 1



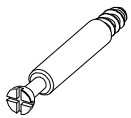
④ x 3



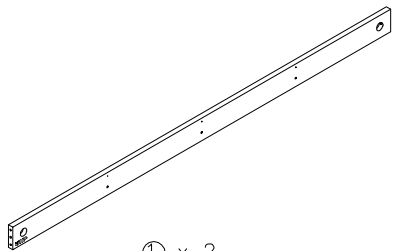
STEP 4



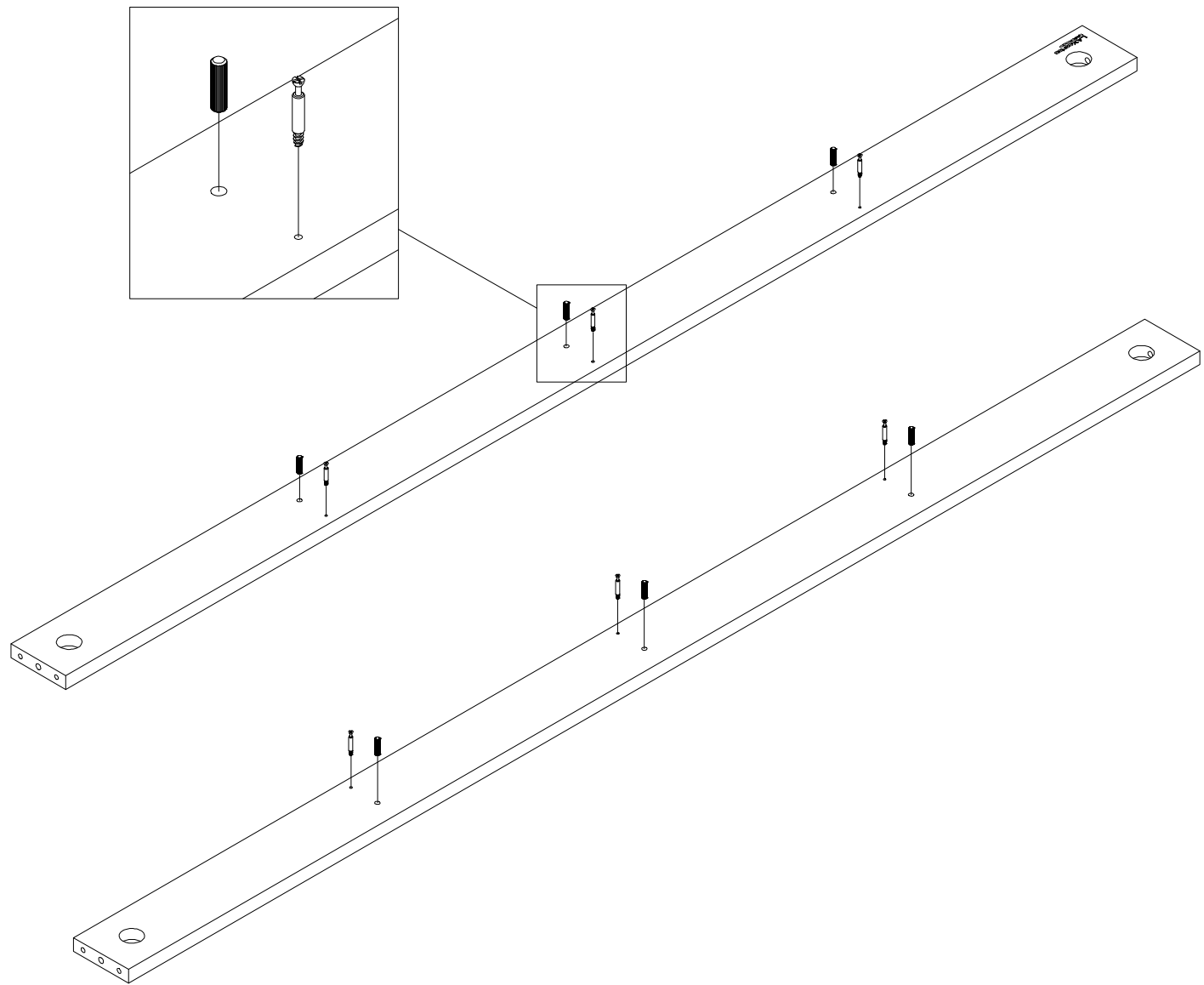
Ⓐ x 6



Ⓔ x 6



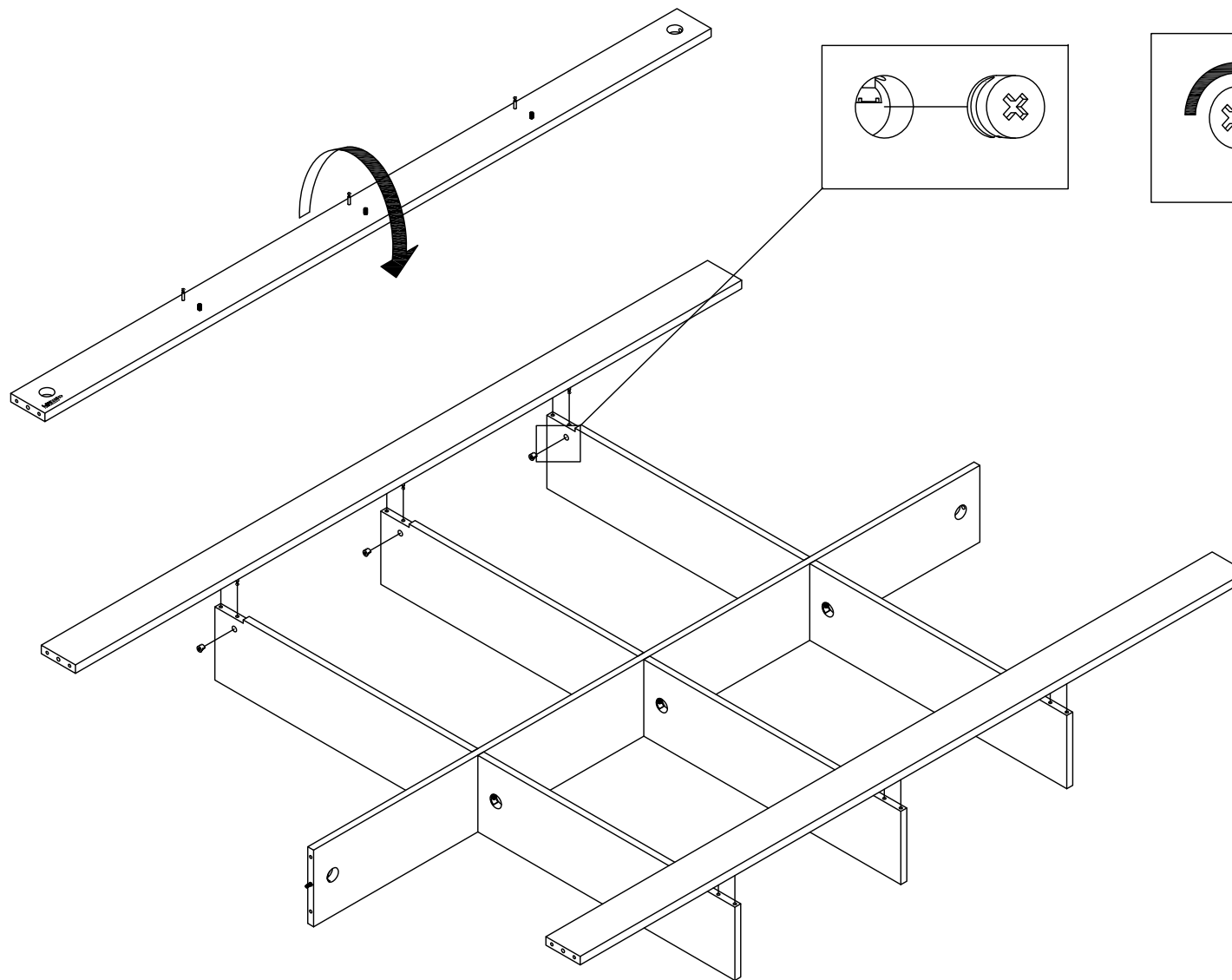
① x 2



STEP 5



⬡ x 6



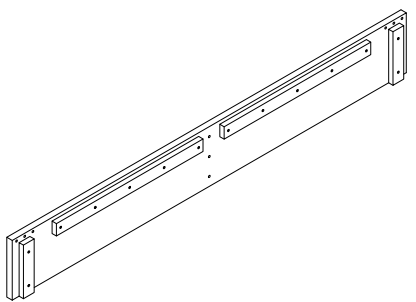
STEP 6



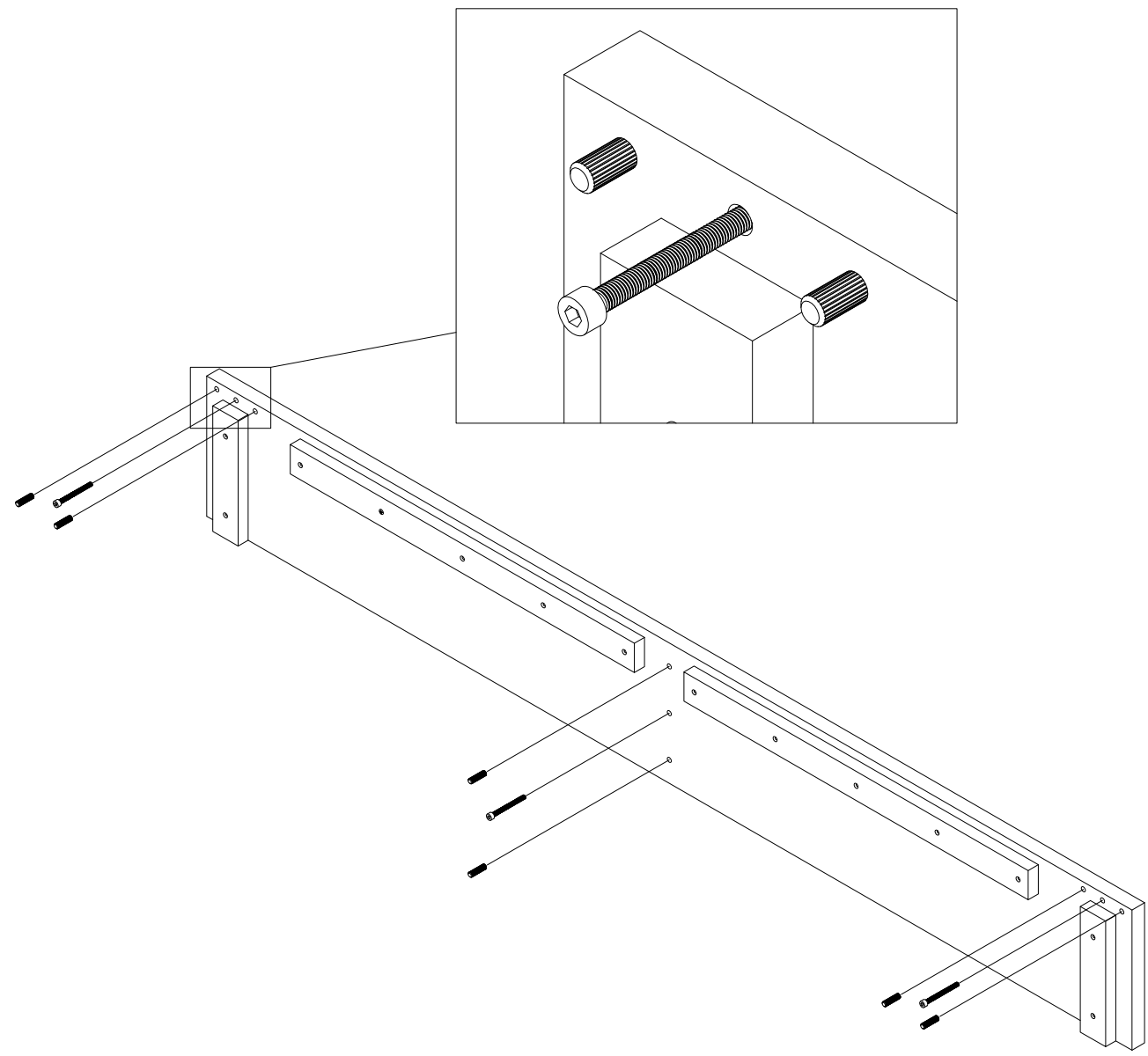
Ⓐ x 12



Ⓓ x 6



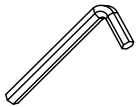
Ⓜ x 2



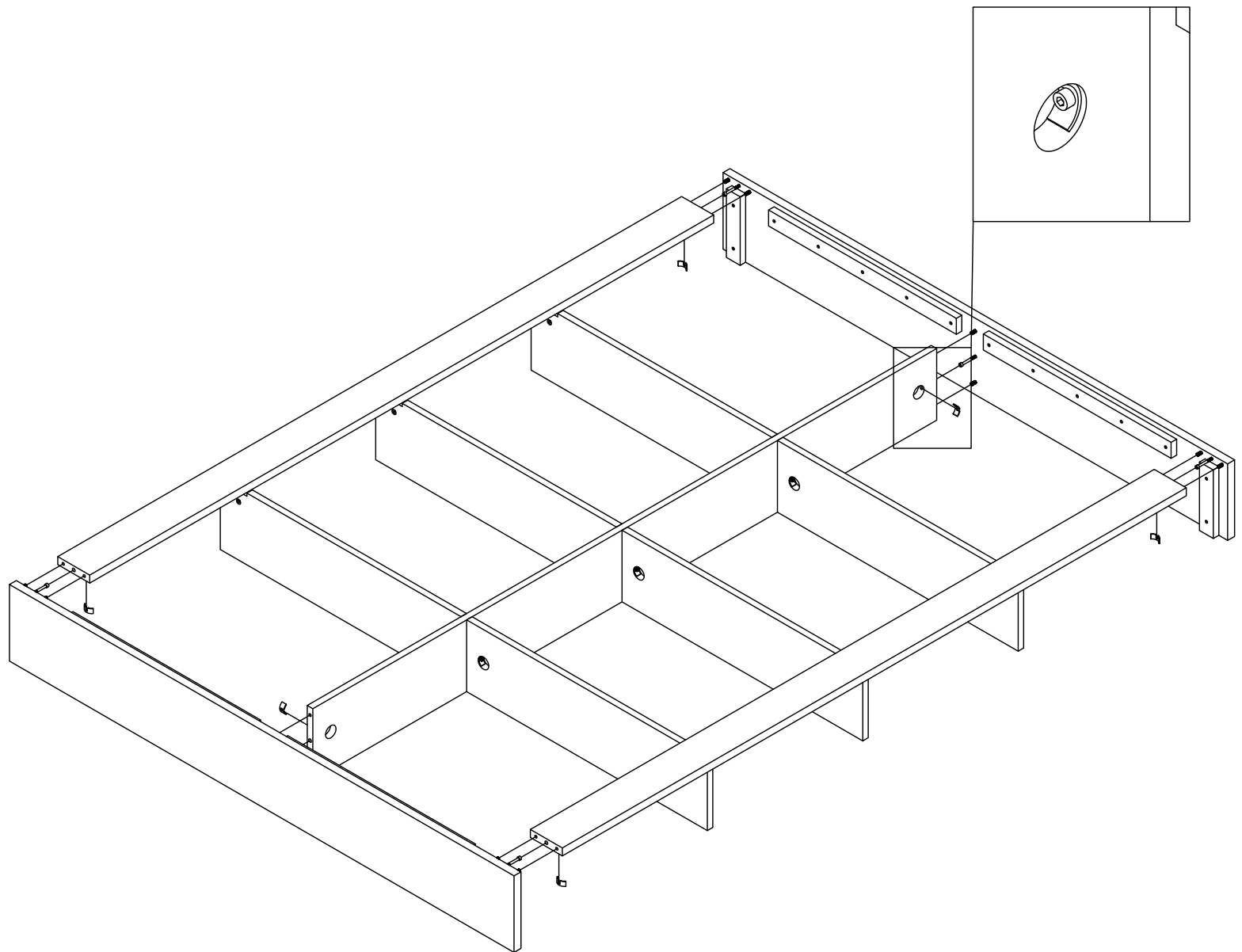
STEP 7



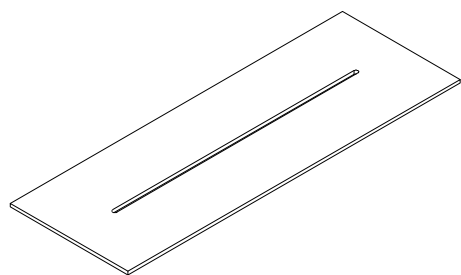
⬡ x 6



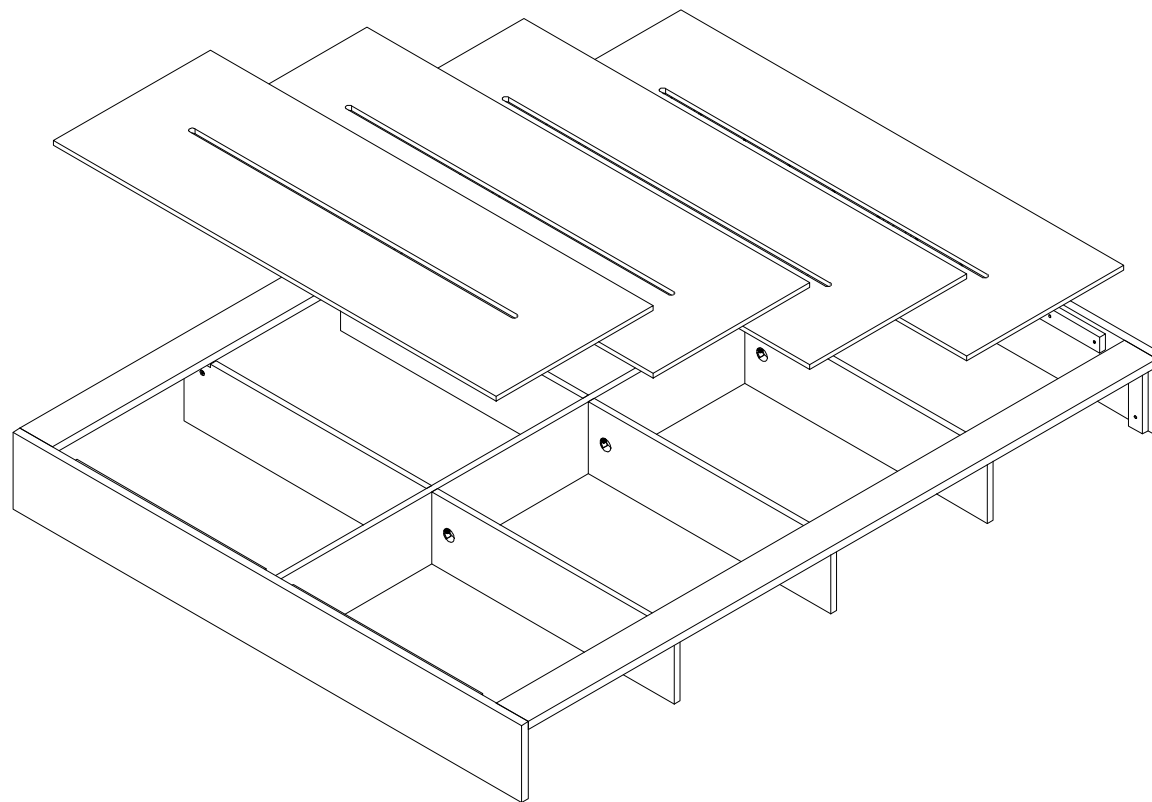
⬡ x 1



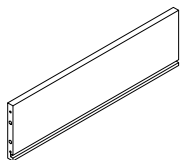
STEP 8



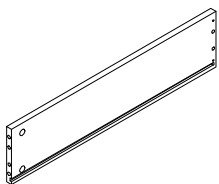
⑤ x 4



STEP 9



⑥ x 1



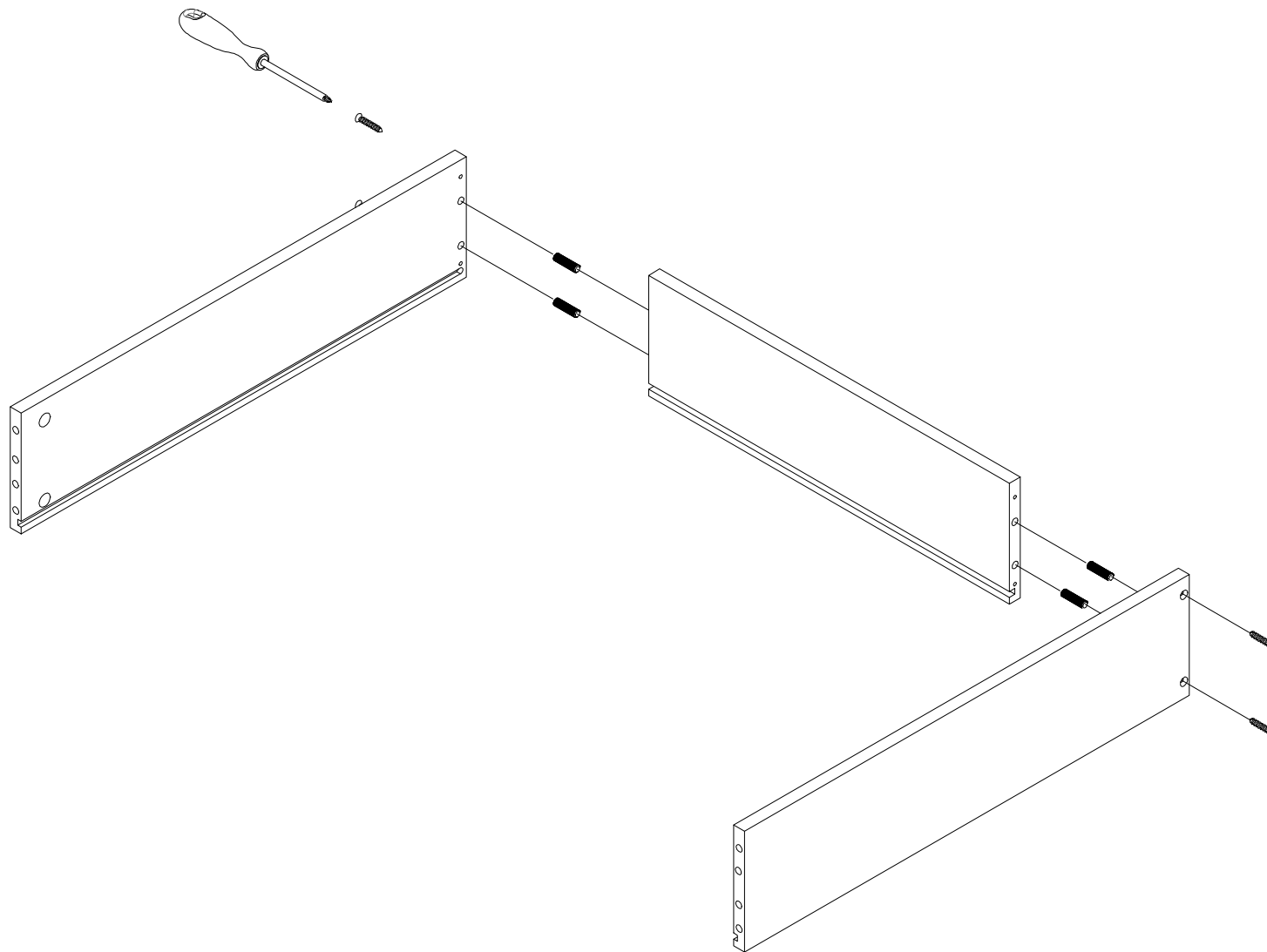
⑦ x 2



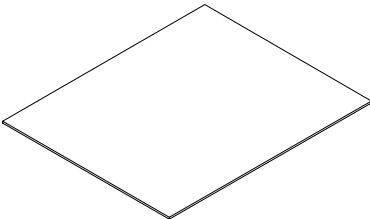
⑧ x 4



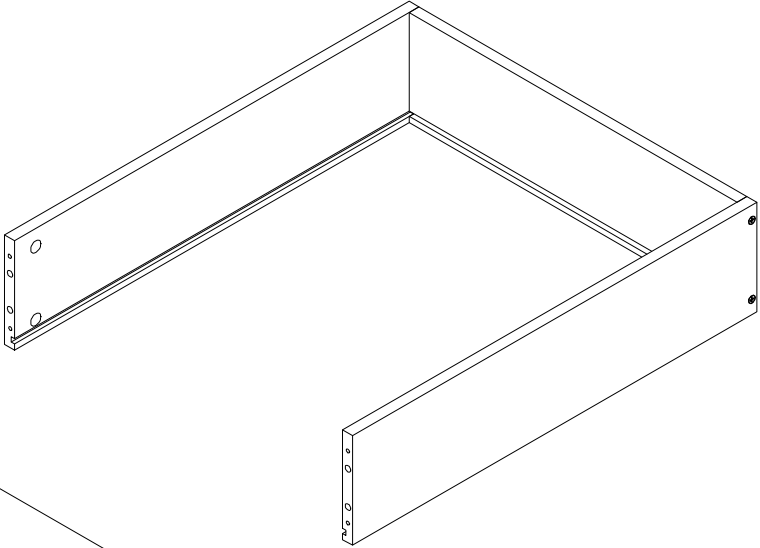
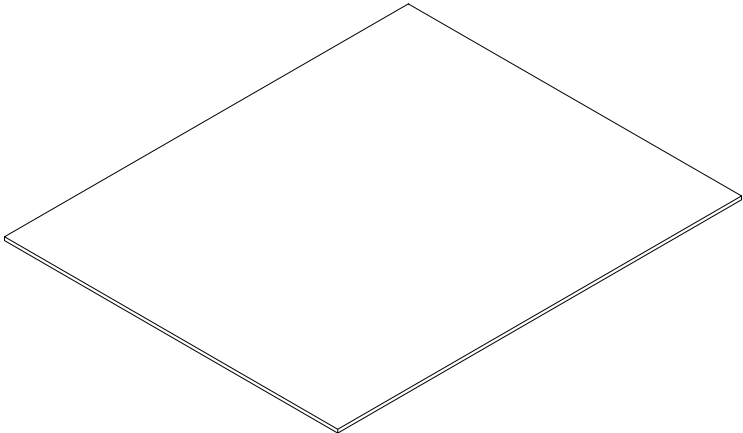
⑨ x 4



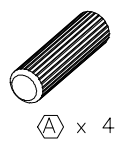
STEP 10



⑨ x 1



STEP 11



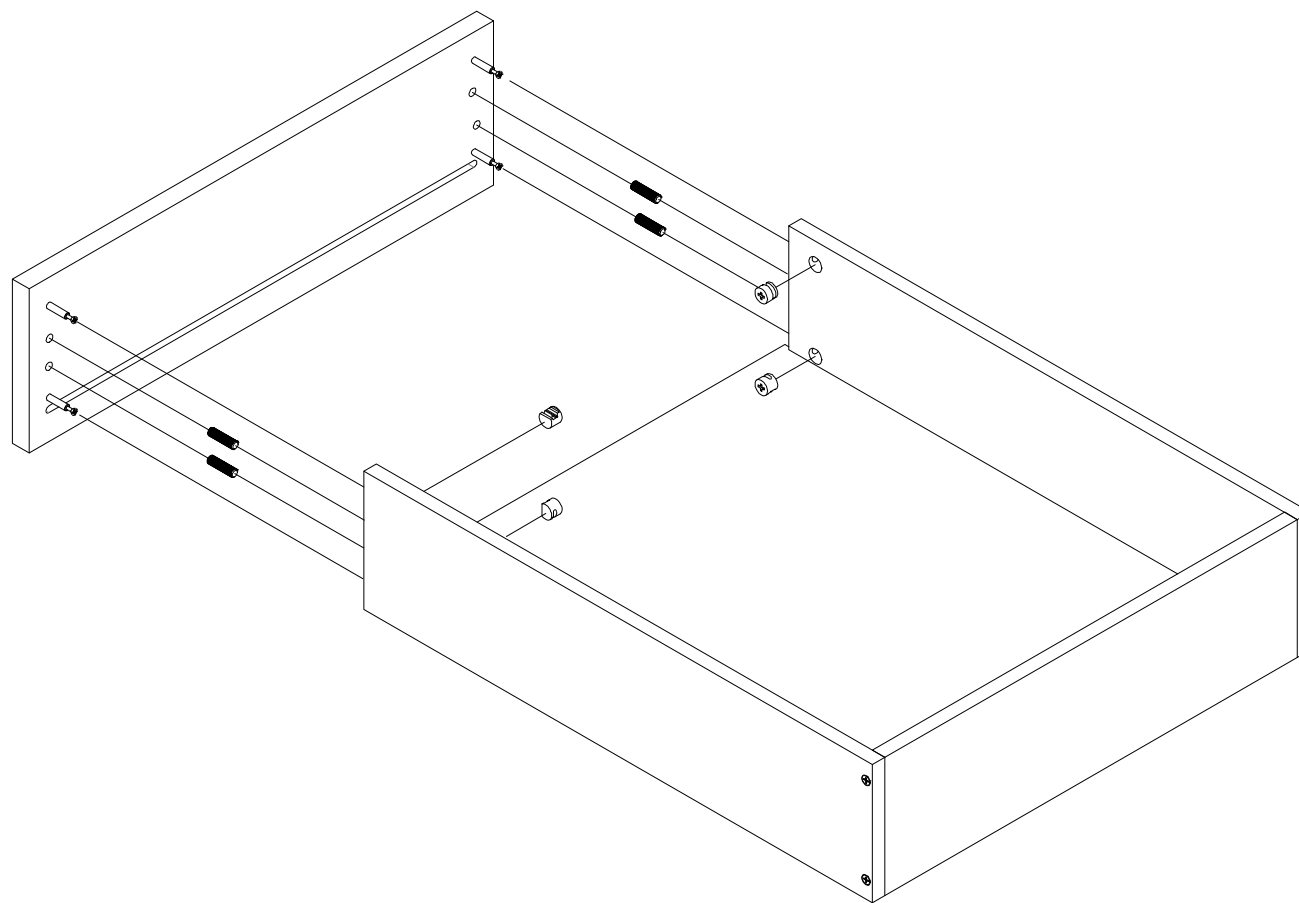
A x 4



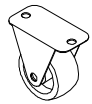
F x 4



G x 4



STEP 12



⊞ x 4



⬡ x 8

