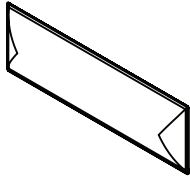


LAXseries

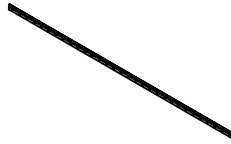
by: VASHstudios

Pillow Headboard
LAX.HB.PILLOW.BG

Parts



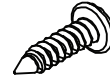
x1
A



x1
B

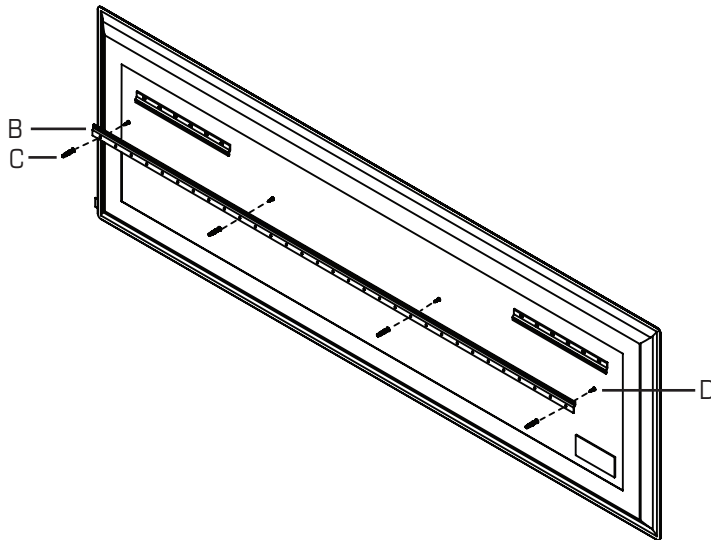


x6
C

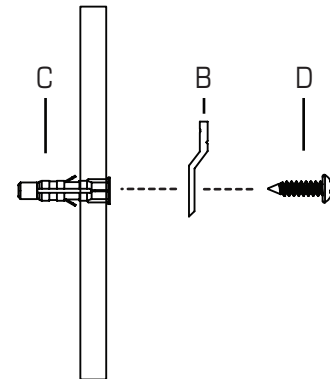


x6
D

1

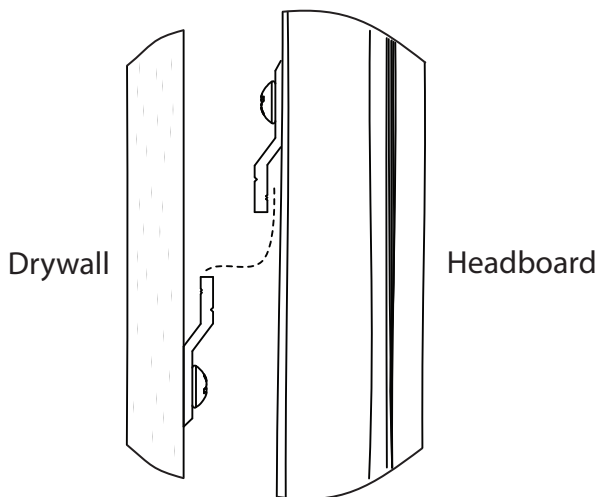


Drywall



1) Position the z-clip (B) on the wall 15.5" above where you would like the bottom of the headboard to be located. Use a level to ensure the z-clip (B) is level and secure with 4-6 provided screws. If attaching to drywall use supplied anchors (C).

3



4

