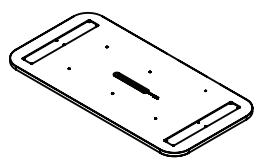


LAXseries

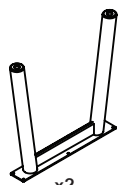
by: VASHstudios

Milk Dining Table
LAX.MLK.DT.ASH

Parts



x1
A



x2
B



x2
C



M6x16mm
x12
D



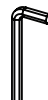
M6x30mm
x8
E



M6x45mm
x3
F

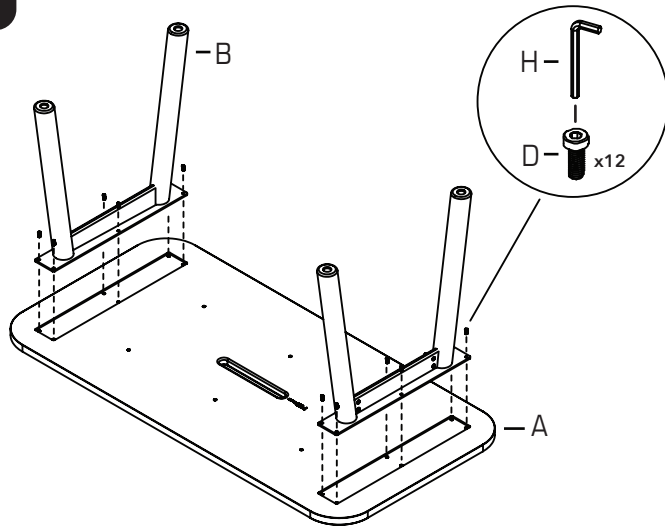


x8
G



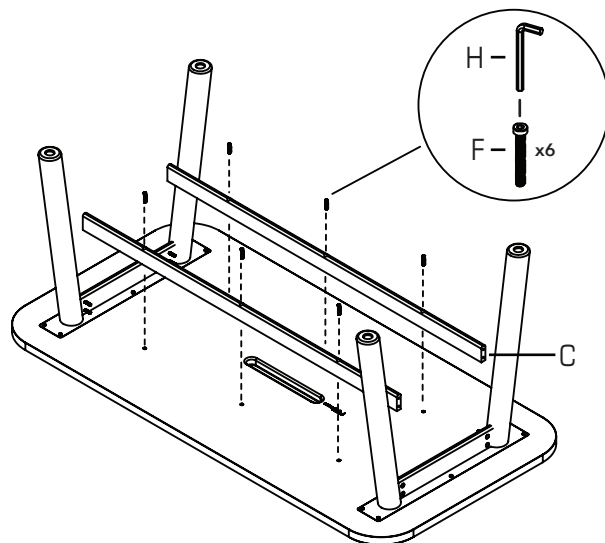
x1
H

1



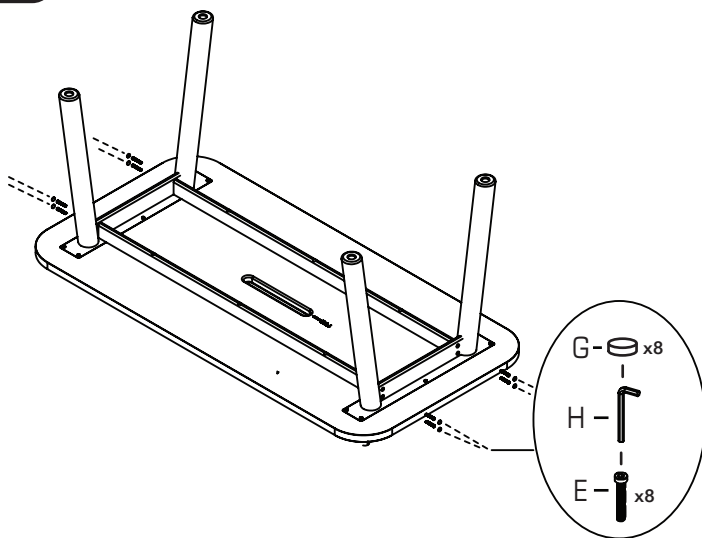
1) Lay tabletop upside down on soft surface and install legs with provided M6x16mm bolts (D)

2



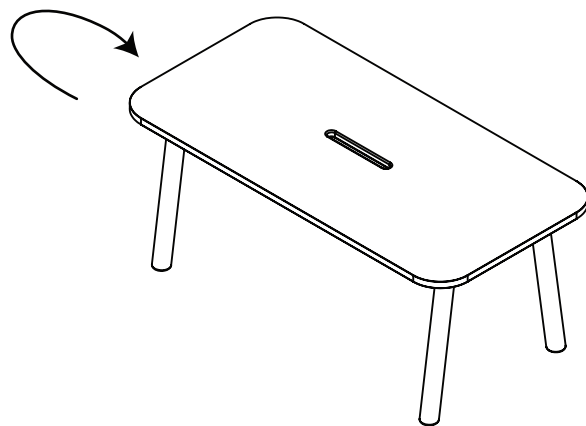
2) Install support beam with supplied M6x45mm bolts (F)

3



3) Secure support beam with (8) M6x30mm bolts (E) and cover with supplied (8) wooden plugs (G)

4



Note: Do not use power tools or over-tighten connections while assembling this product.