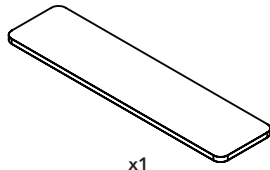


# LAXseries

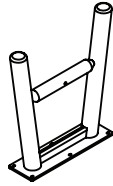
by: VASHstudios

Milk Bench  
LAX.MLK.BNCH.ASH

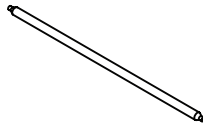
## Parts



x1  
A



x2  
B



x1  
C



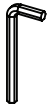
M6x16mm  
x12  
D



M6x45mm  
x2  
E

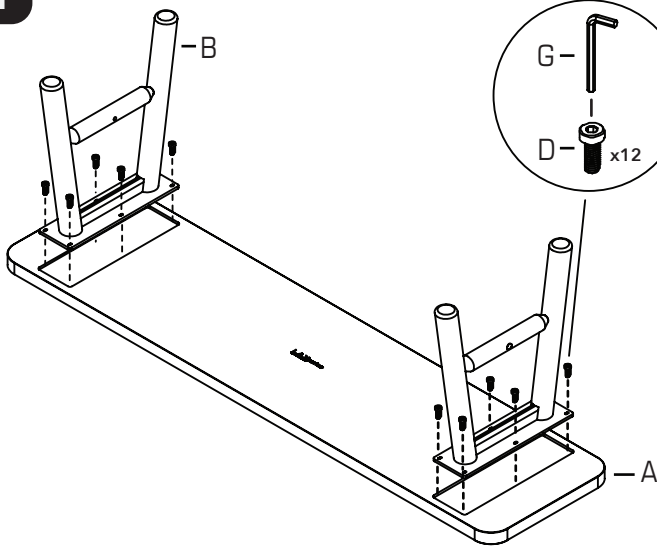


x2  
F



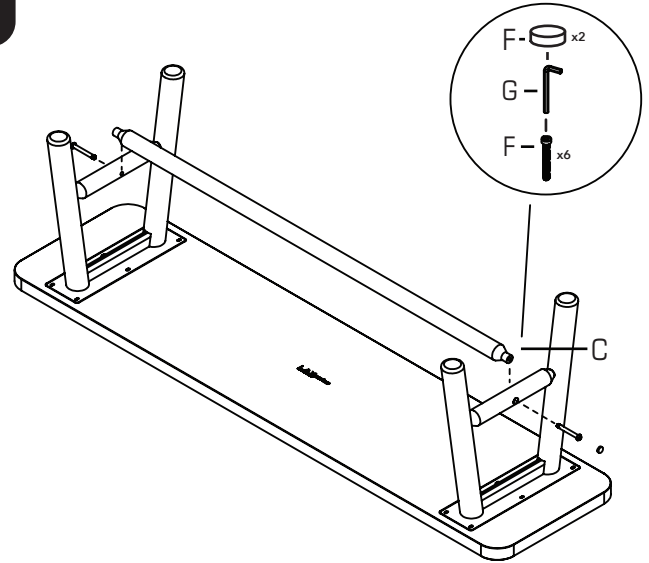
x1  
G

1



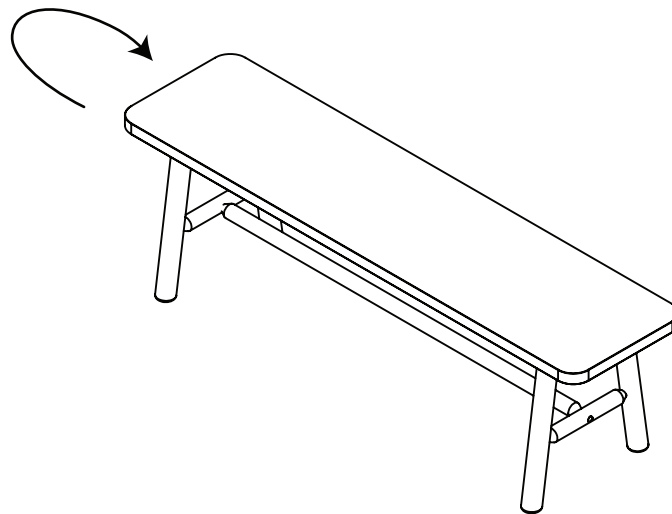
1) Place seat upside down on a soft surface and install legs with provided M6x16mm bolts (E)

2



2) Install support beam with supplied M6x45mm bolts (F) and cover with supplied wooden plugs

3



Note: Do not use power tools or over-tighten connections while assembling this product.