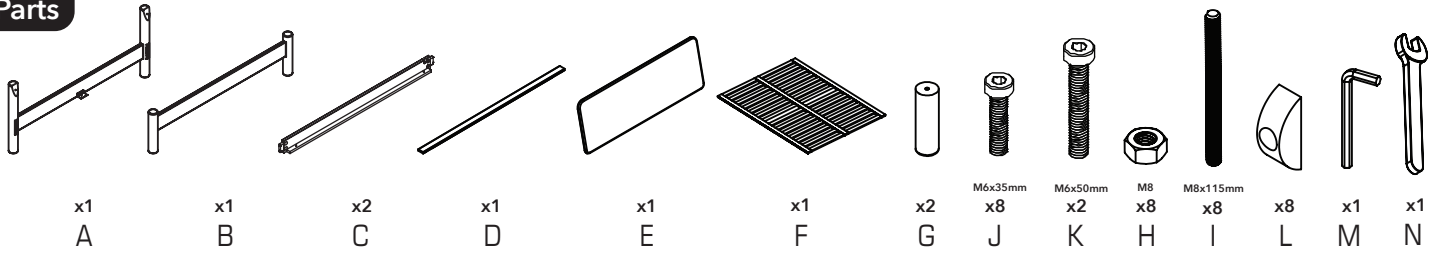


LAXseries

by: VASHstudios

Milk Bed
LAX.MLK.BED.ASH

Parts



1

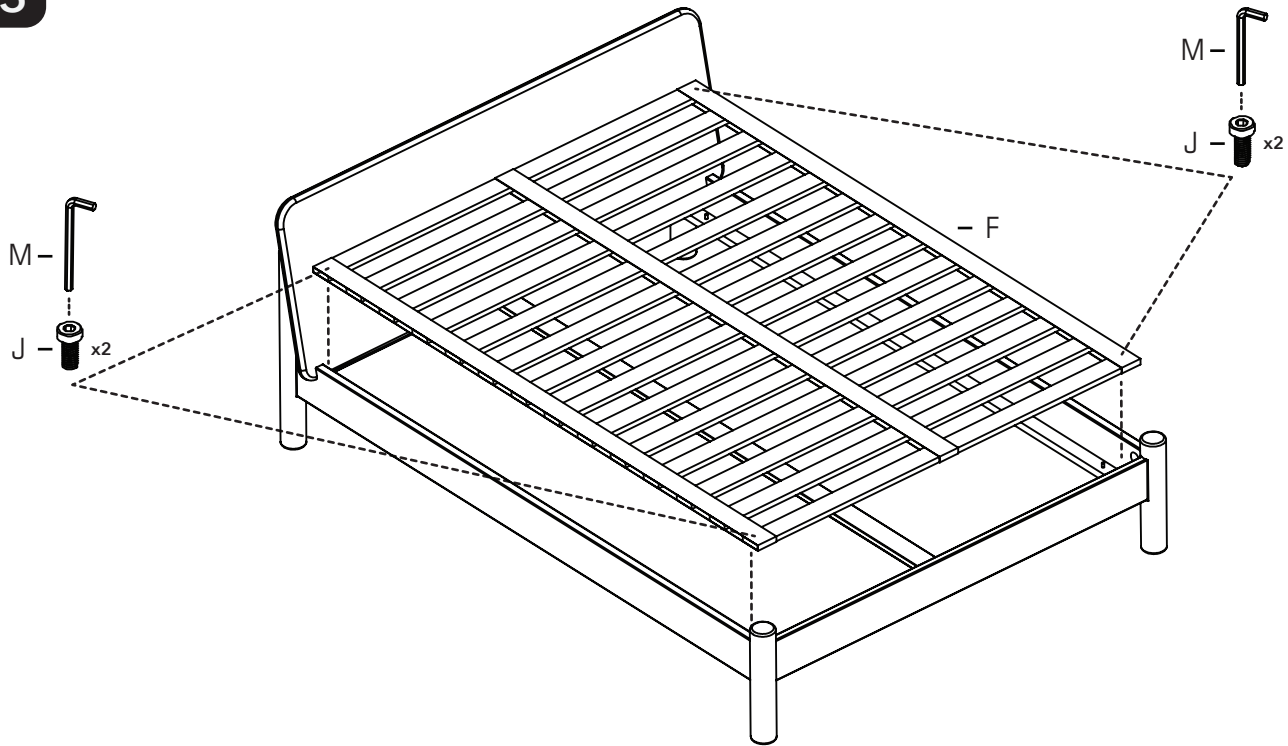
1) Arrange parts as shown and install with provided threaded rods (I), bolts (H) and half-moon washers (L). Ensure that the headboard mounting slots on part "C" on are located nearest part "A".

2

1) Install 2 round legs (G) onto slat support beam (D) with supplied M6 Screw (J).
 2) Install center support beam with x4 screws from underneath (G).
 3) Drop headboard (E) into slots on side rails and attach from the back with x2 screws (K).

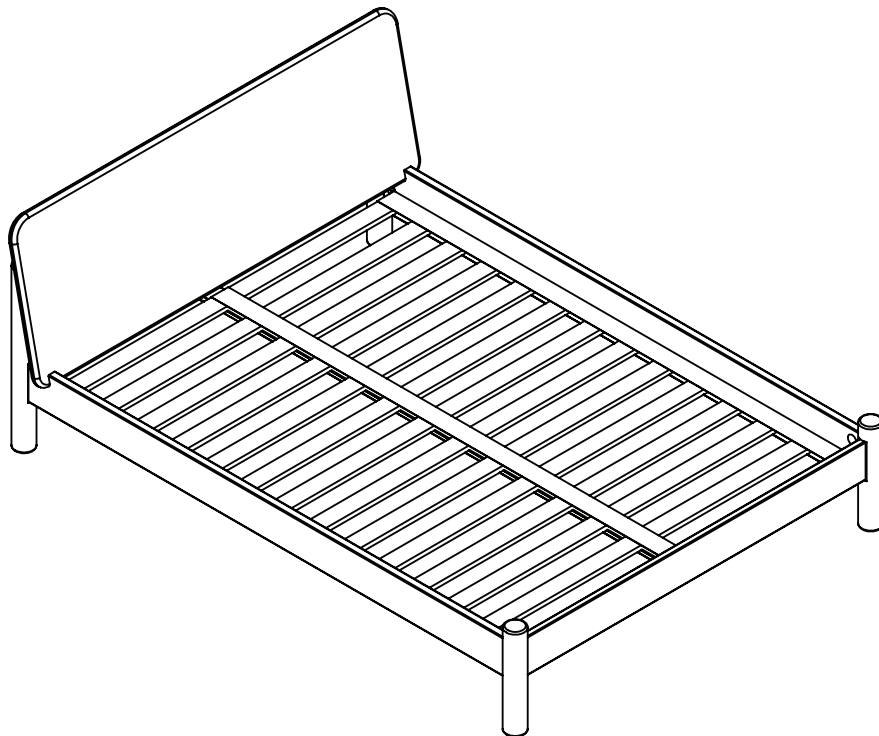
! Note: Do not use power tools or over-tighten connections while assembling this product.

3



1) Roll out slats and lay into bed frame as shown and secure in corners with x4 screws (J).

4



Note: Do not use power tools or over-tighten connections while assembling this product.