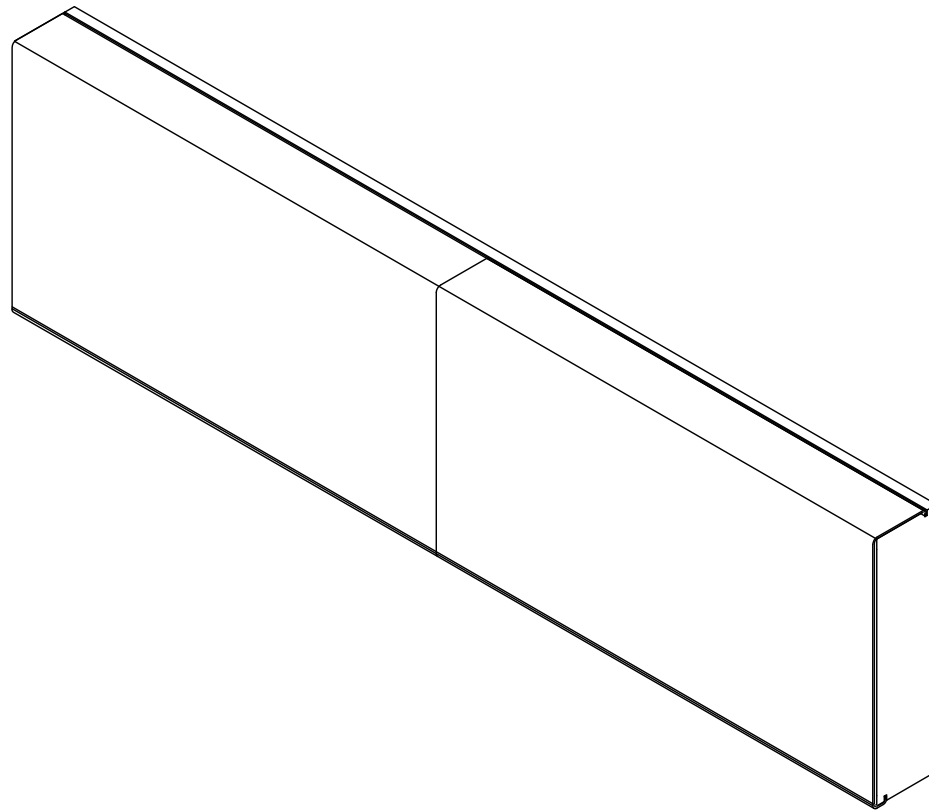


L A X series

by: VASHstudios

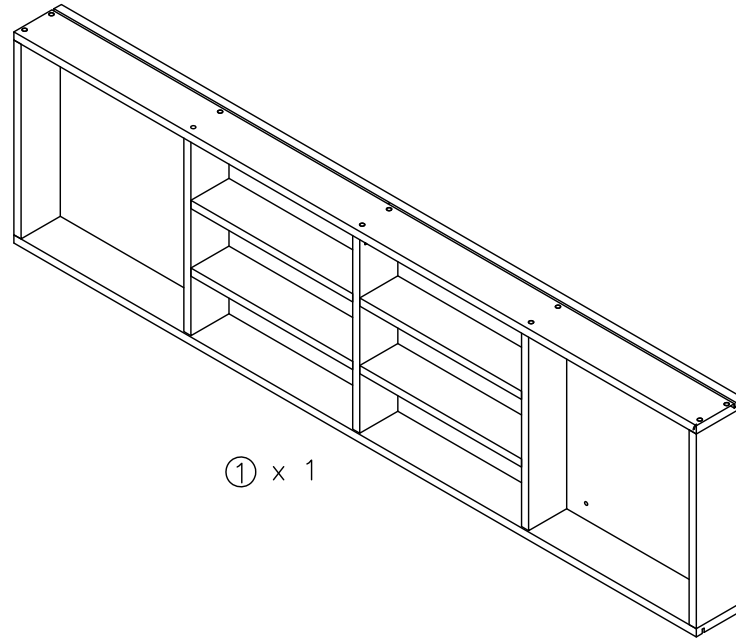
HBK Shelf
Assembly Instructions



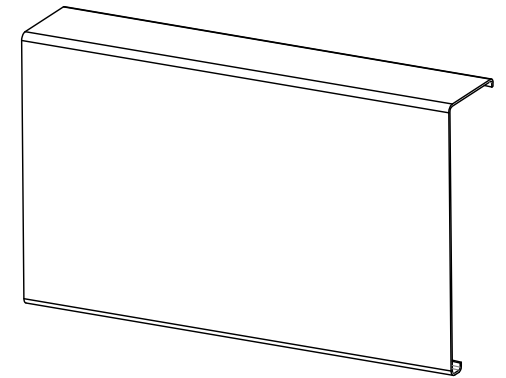
L A X series

by: VASHstudios

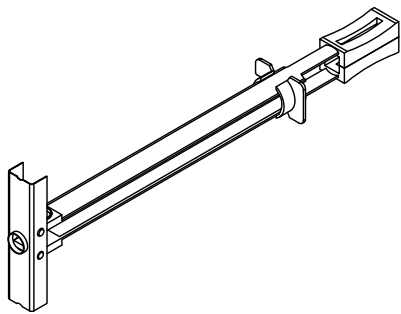
HBK Shelf
PART LIST



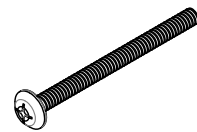
① x 1



② x 2



Ⓐ x 5

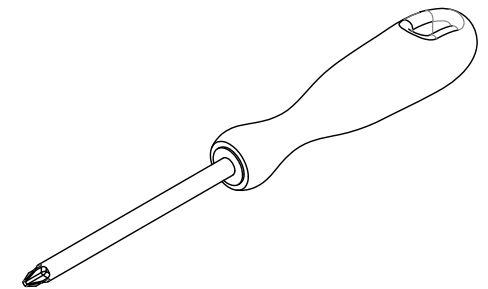


Ⓑ x 4



paper
template

Ⓒ x 1



phillips screwdriver
(not included)

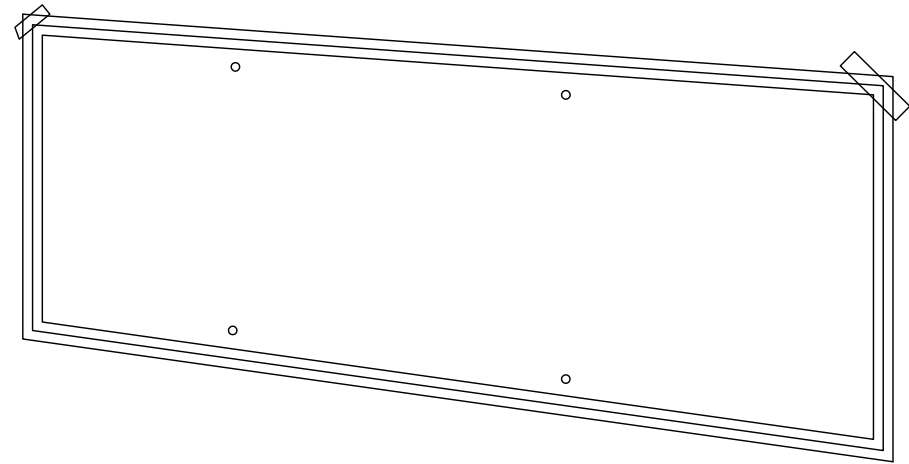
STEP 1

Use supplied template to locate the placement of 3X Shelf. Check to ensure template is level and flat. Drill a 1/2" hole at the four indicated places; avoid drilling into studs.

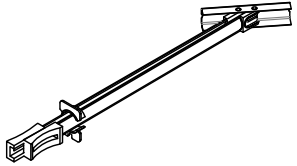
Remove template.



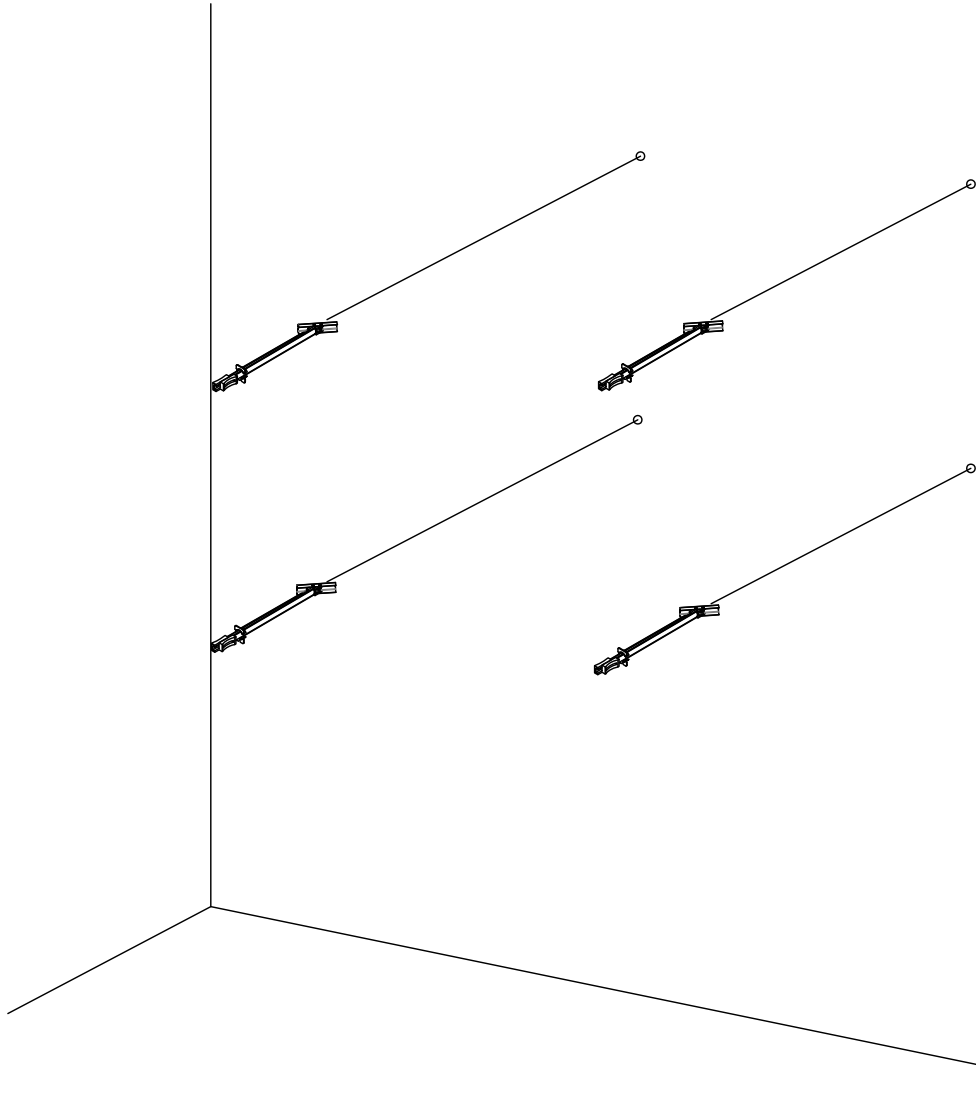
⊞ x 1



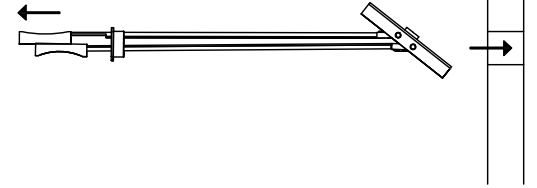
STEP 2



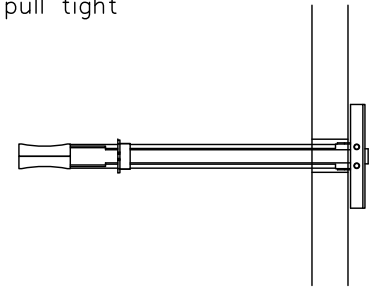
(A) x 4



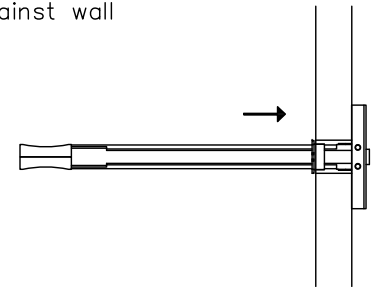
rotate toggle,
push through drilled holes



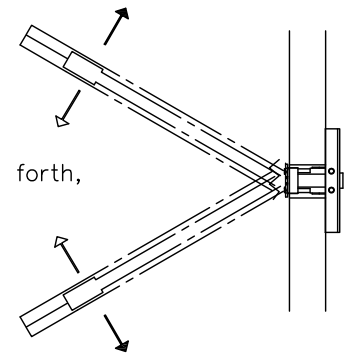
rotate back, pull tight
against wall



slide cap against wall

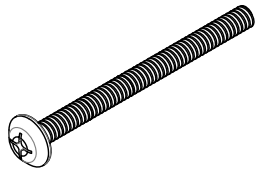



bend back and forth,
break off ends

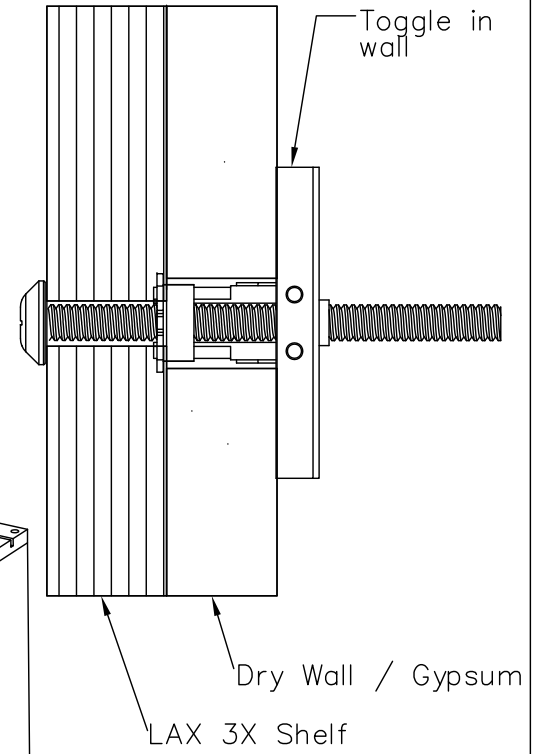
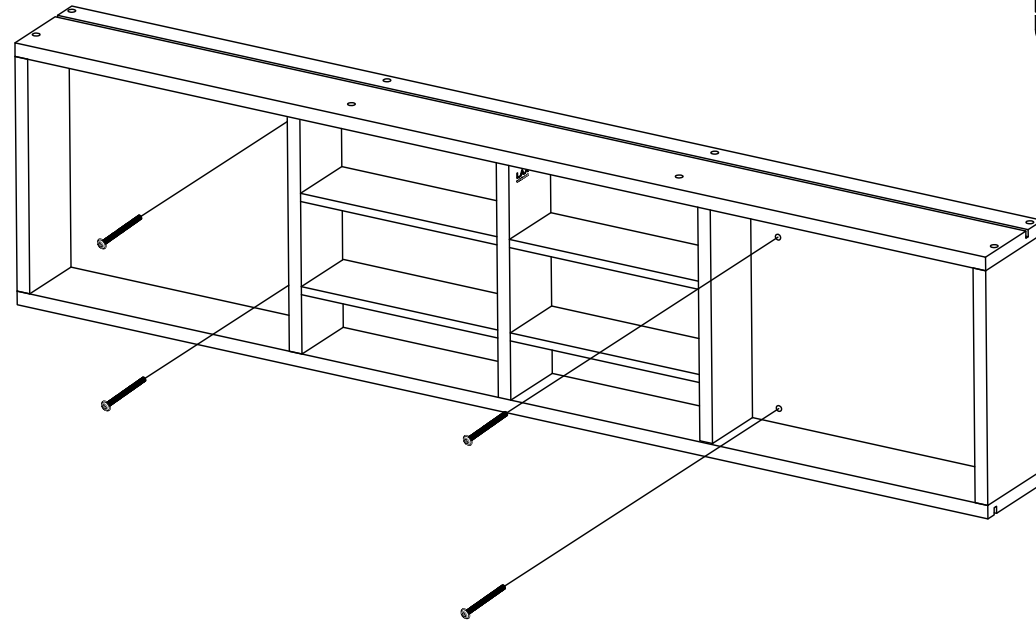


STEP 3

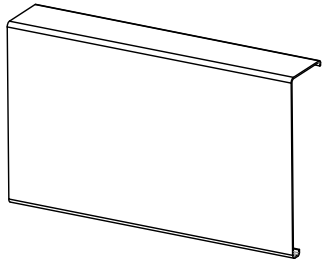
Have a friend hold the Shelf while the four  snap toggle bolts are installed.



 x 4



STEP 4



② x 2

