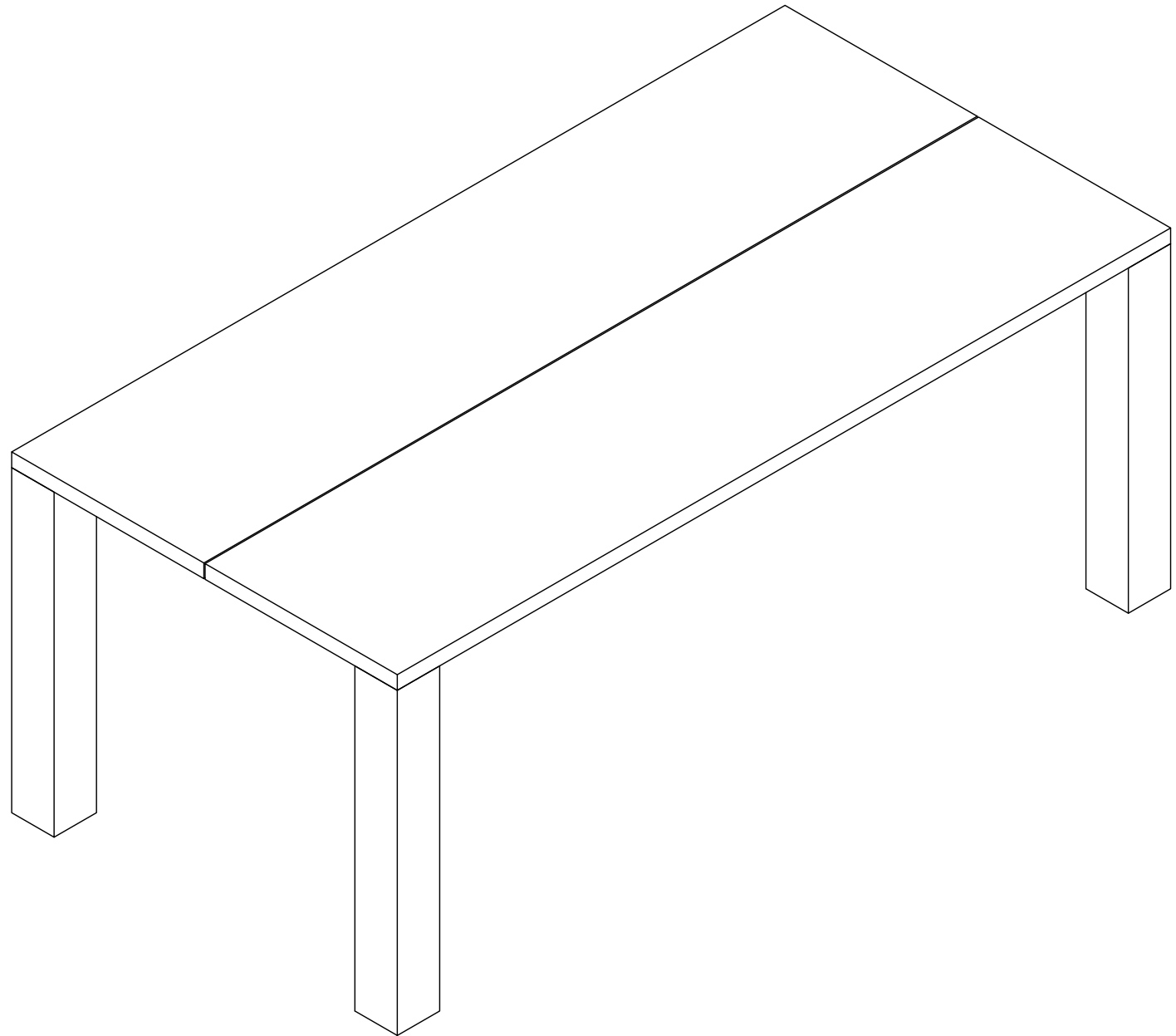


L A X series

by: MASHstudios

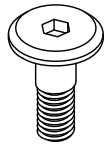
D Table
Assembly Instructions



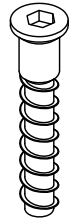
LAXseries

by: MASHstudios

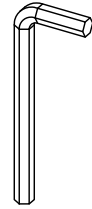
D Table
Parts List



A x 24



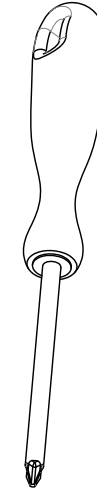
B x 16



C x 1

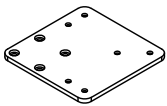


D x 26



Not Included

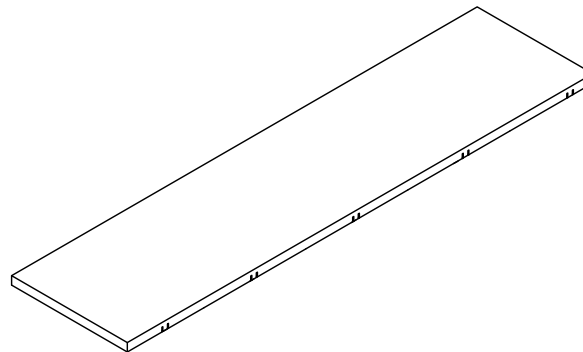
1 x 4



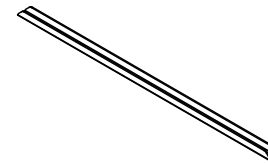
2 x 4



3 x 2



4 x 3



5 x 2

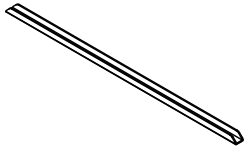


Helpful Tip:
Separating components into like
groups speeds up the process.

STEP 1



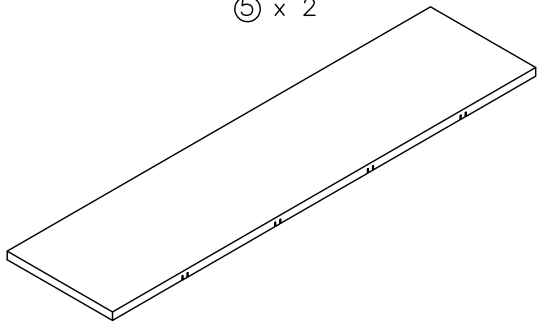
④ x 26



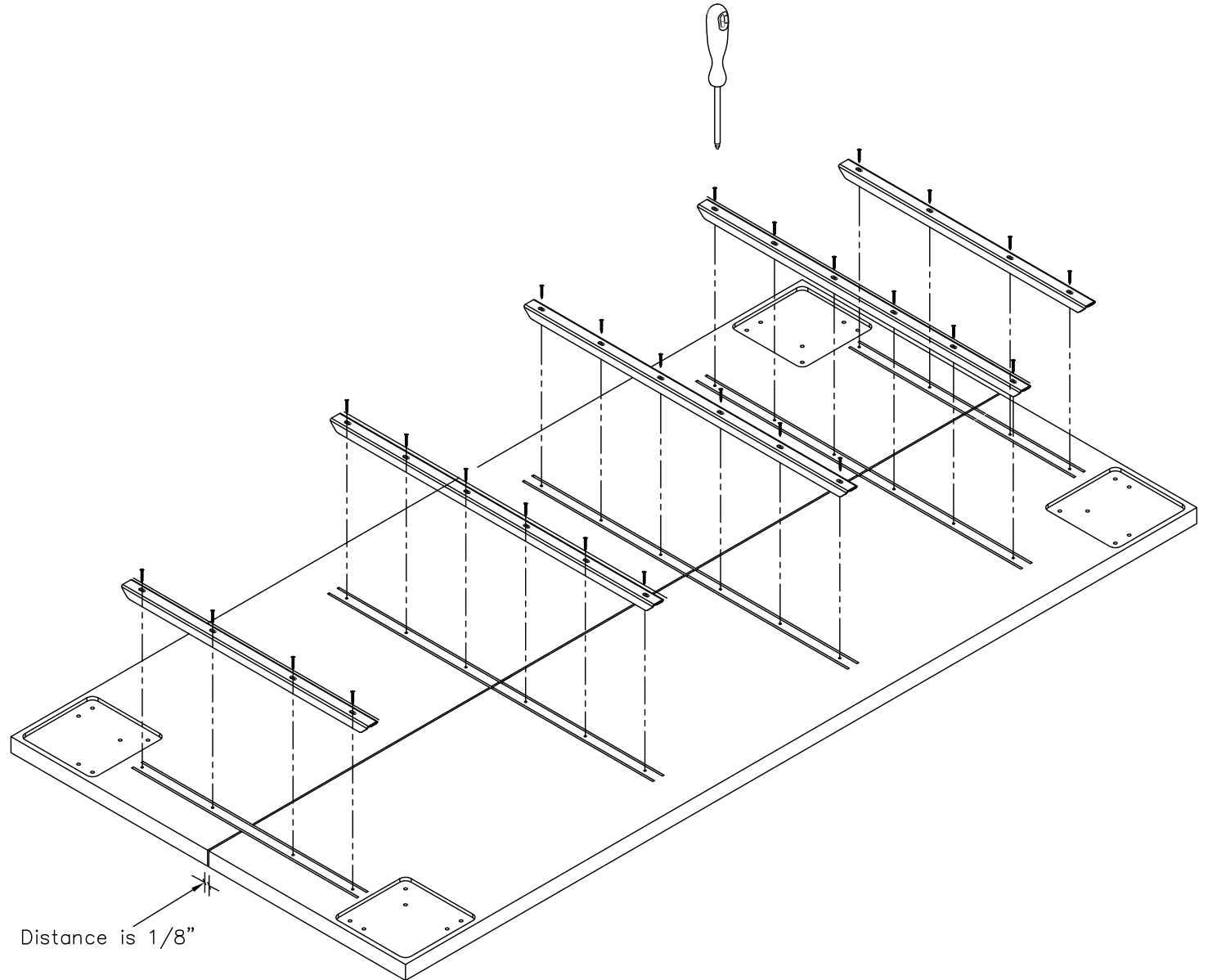
④ x 3



⑤ x 2



③ x 2



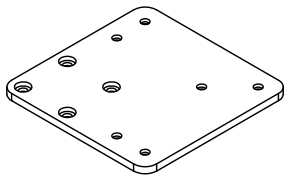
STEP 2



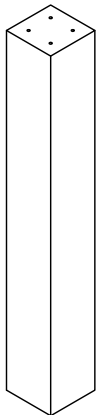
ⓑ x 16



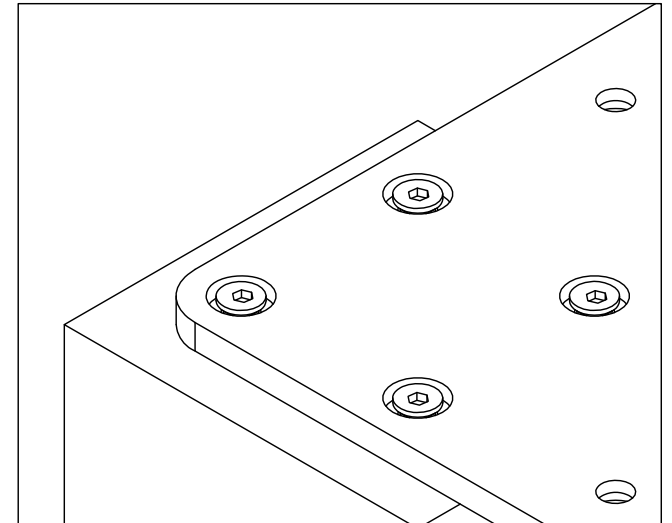
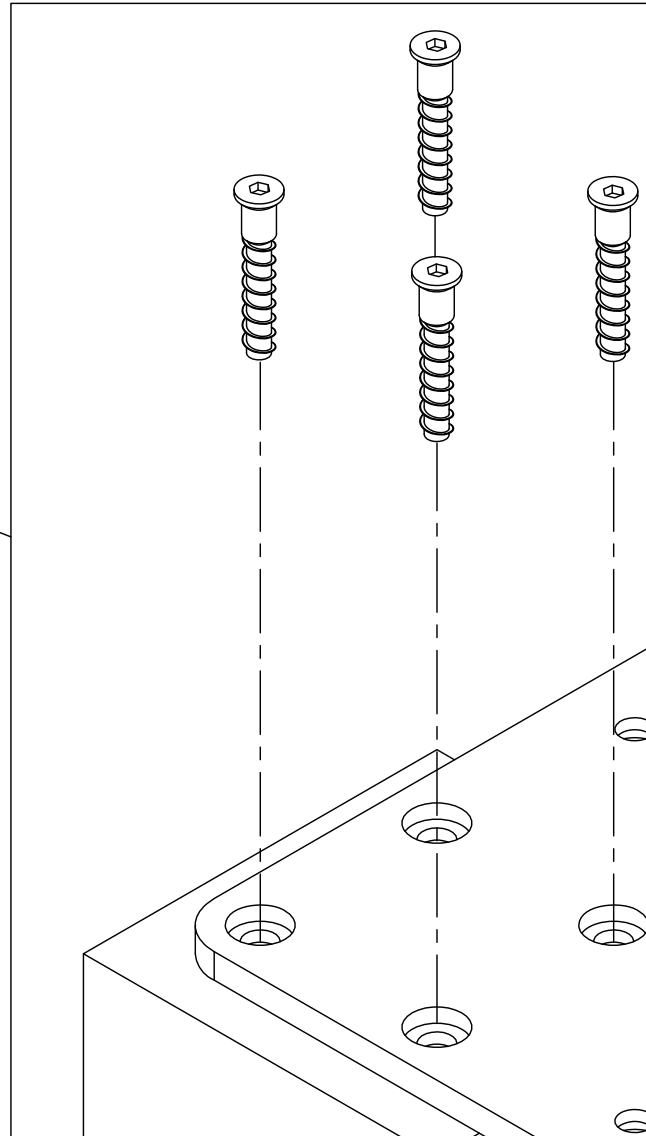
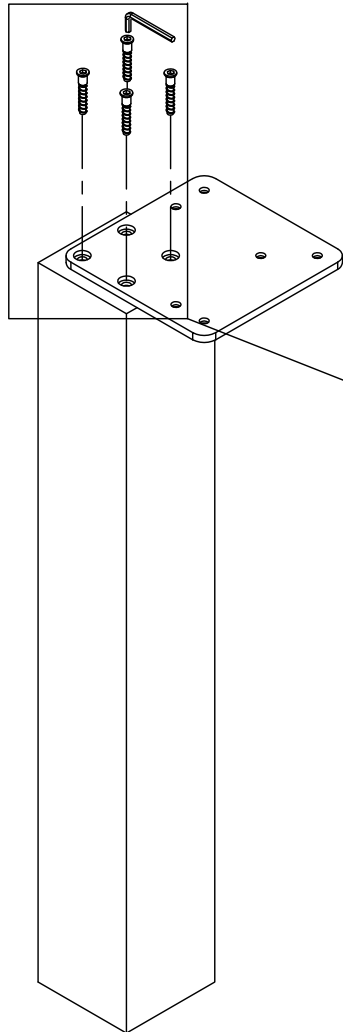
Ⓒ x 1



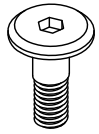
① x 4



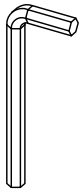
② x 4



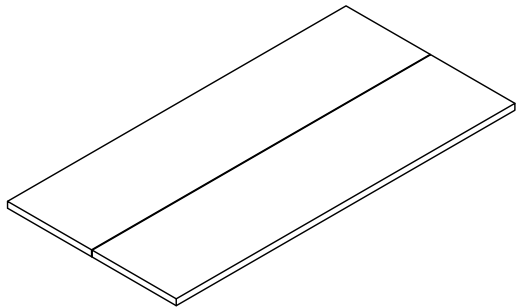
STEP 3



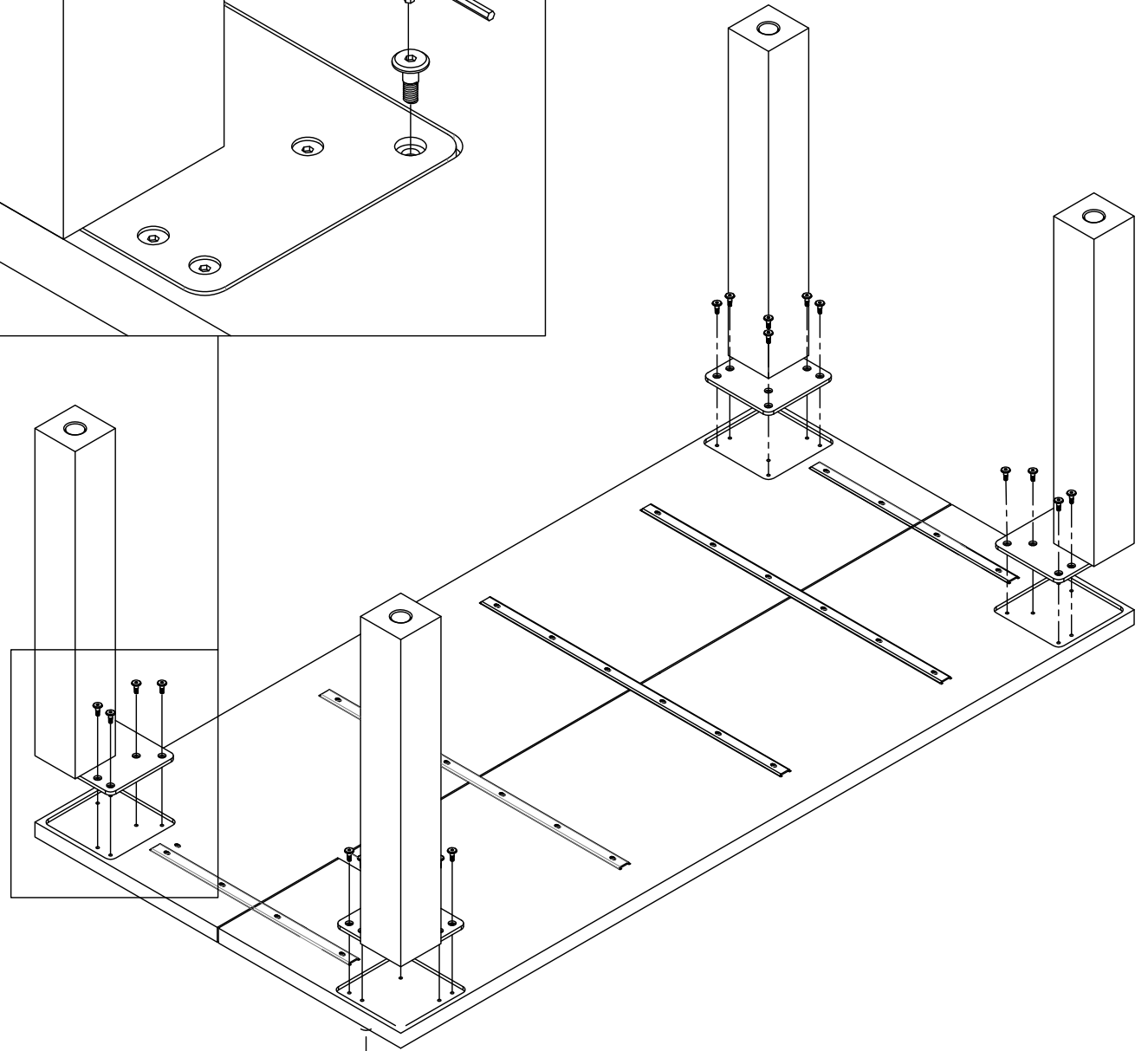
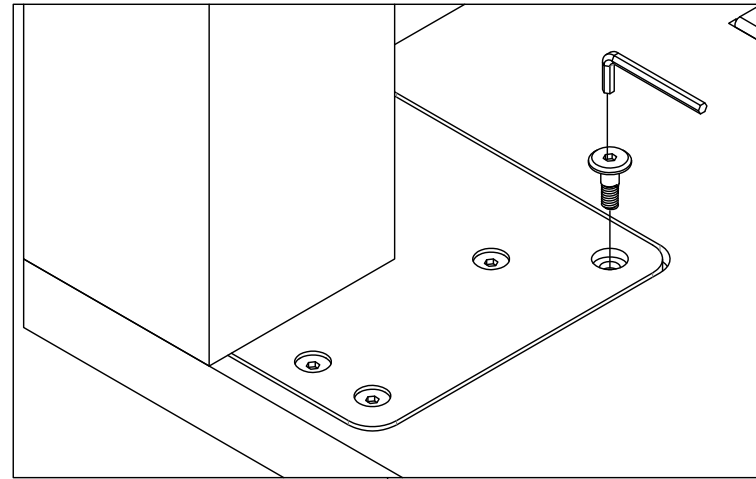
Ⓐ x 24



Ⓒ x 1



Ⓓ x 1



Final

