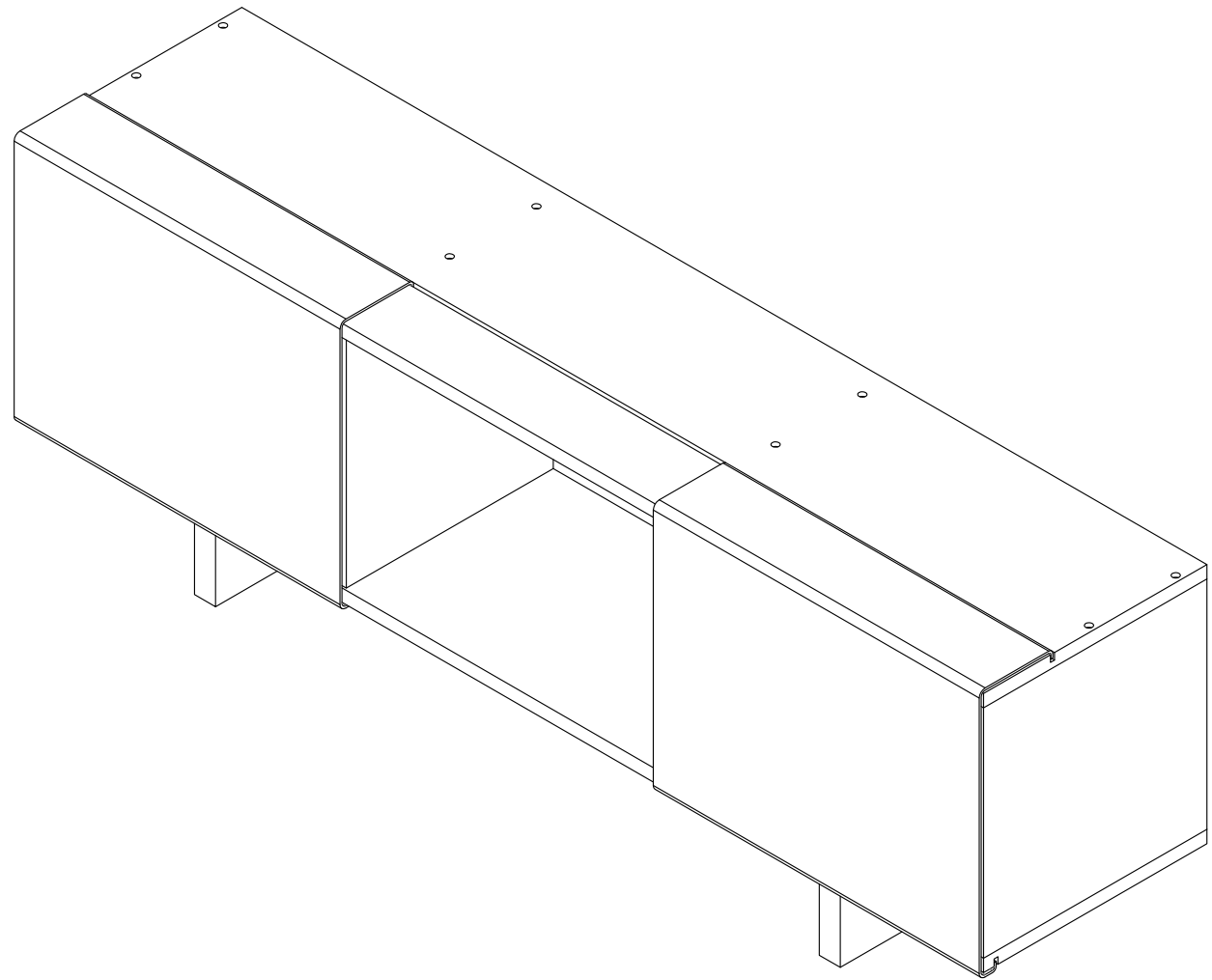


# LAXseries

by: MASHstudios

3X + Base  
Assembly Instructions



# LAXseries

by: MASHstudios

3X + Base  
Parts List

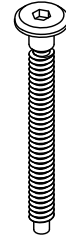
Helpful Tip:  
Separating components into like  
groups speeds up the process.



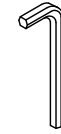
A x 6



B x 6

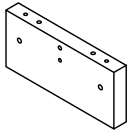


C x 6

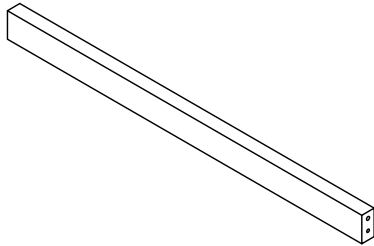


D x 1

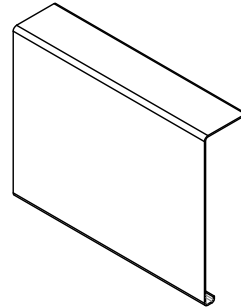
1 x 2



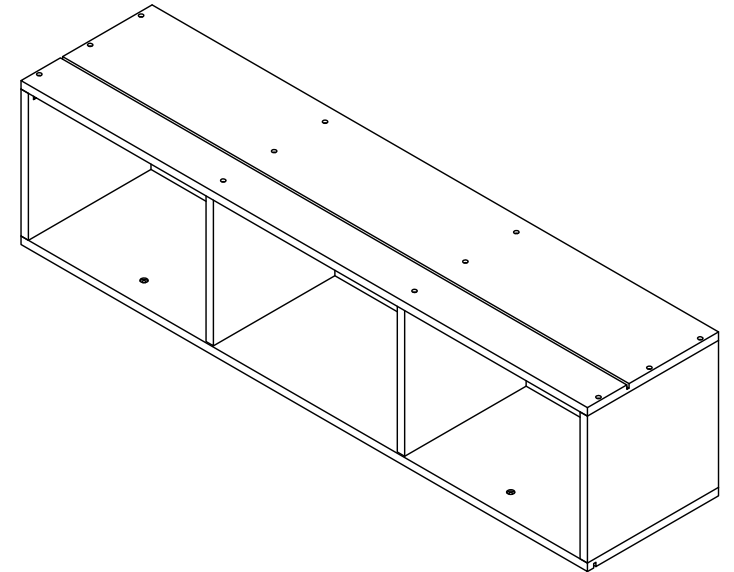
2 x 1



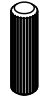
3 x 2



4 x 1



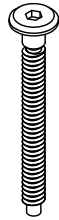
STEP 1



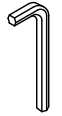
A x 6



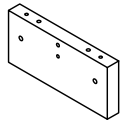
B x 2



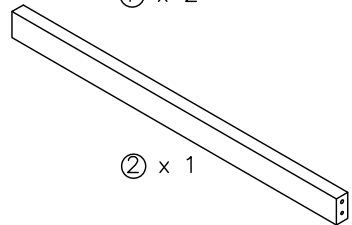
C x 2



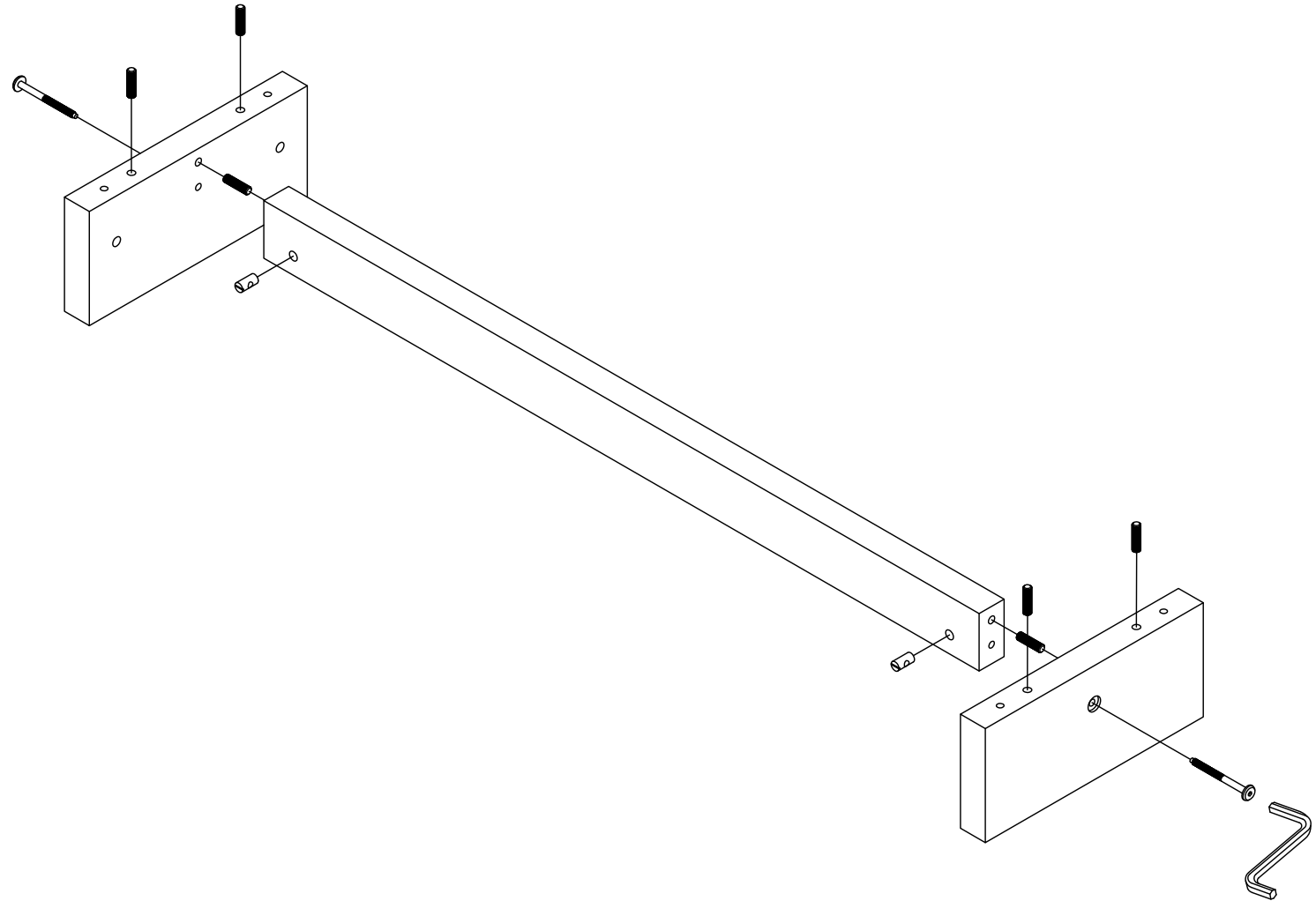
D x 1



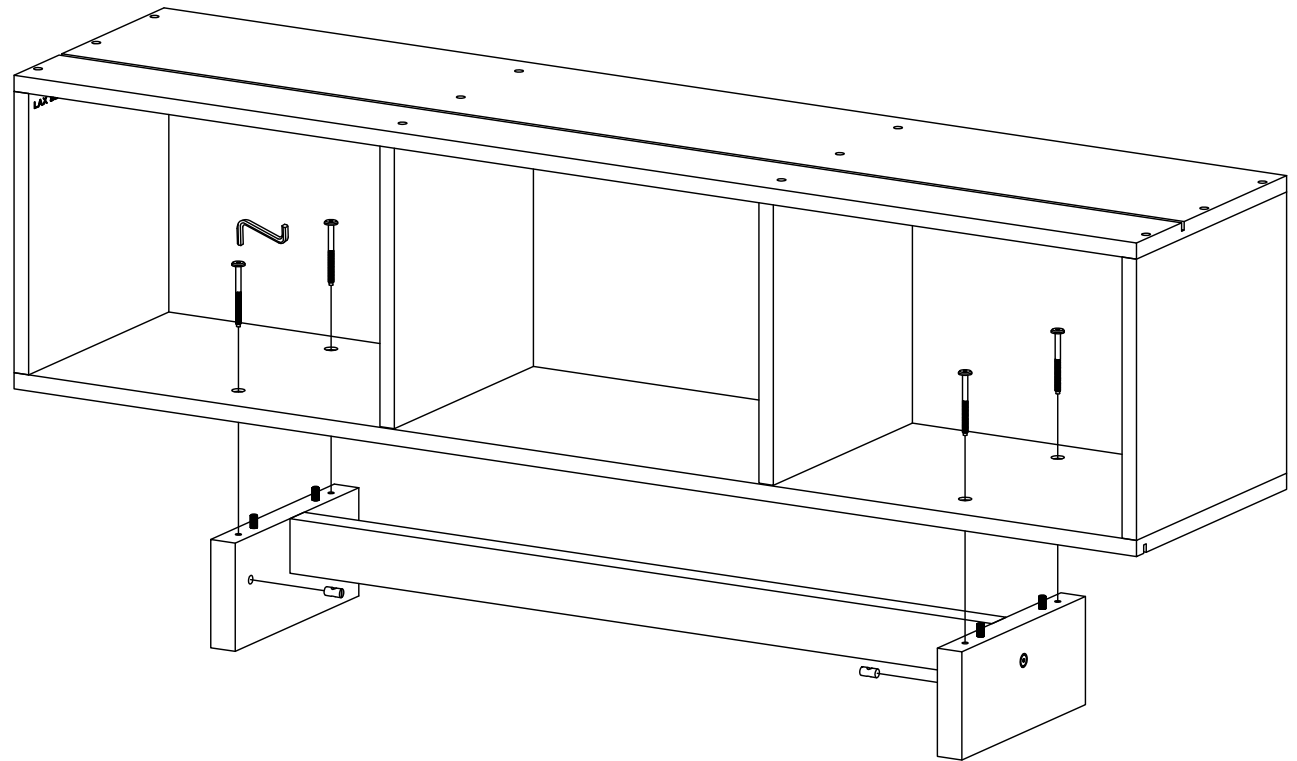
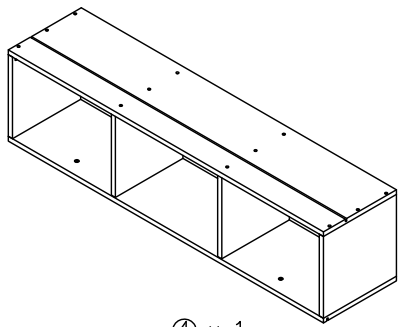
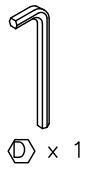
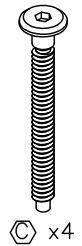
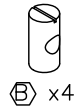
E x 2



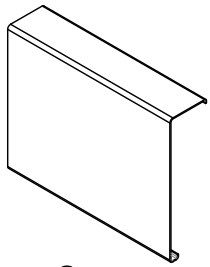
F x 1



STEP 2



STEP 3



③ x 2

