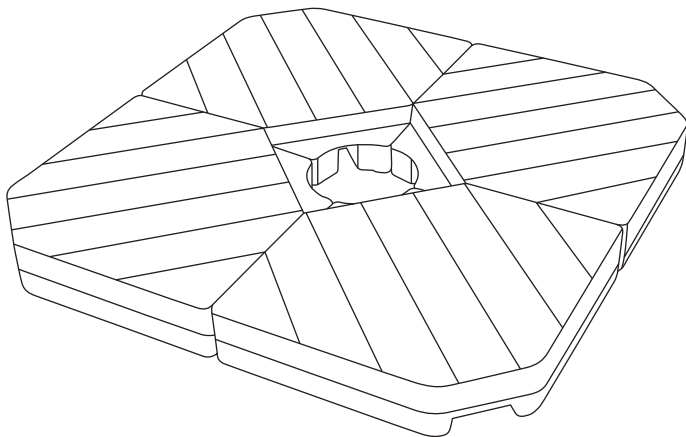


# BASE FOR CANTILEVER UMBRELLA

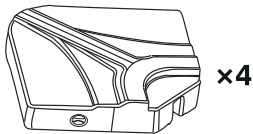
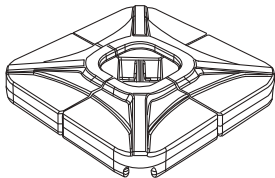


**Instruction Manual**

**\*THE DIAGRAM IS FOR REFERENCE ONLY**

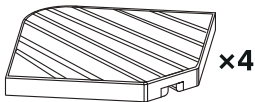
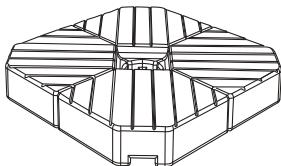
**this instruction manual can be applicable to these bases:**

**COMPACT BASE**



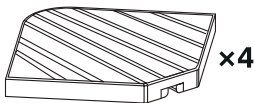
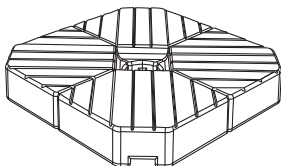
or

**MEDIUM BASE**

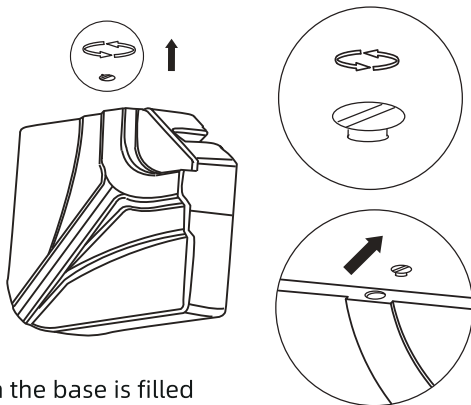


or

**LARGE BASE**

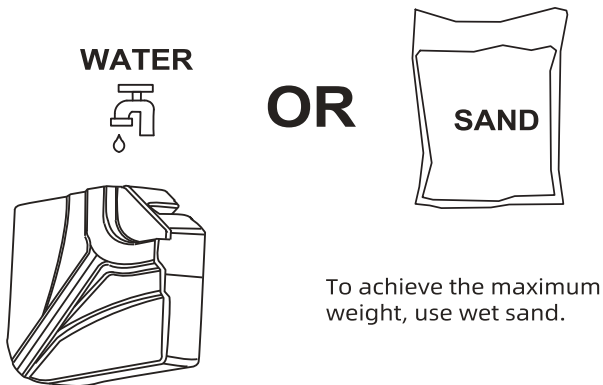


## STEP 1



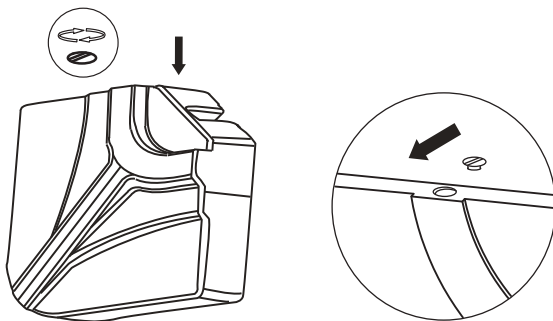
Attention: When the base is filled with water, falling sideways would cause base damage.

## STEP 2

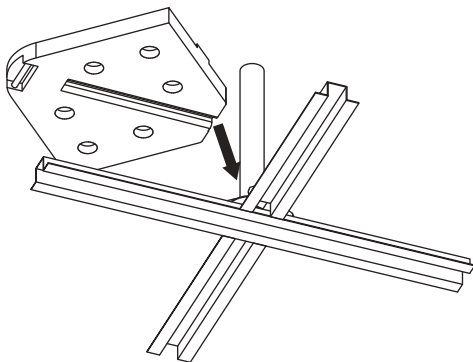


To achieve the maximum weight, use wet sand.

### STEP 3

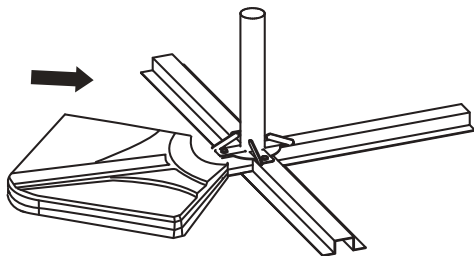


### STEP 4



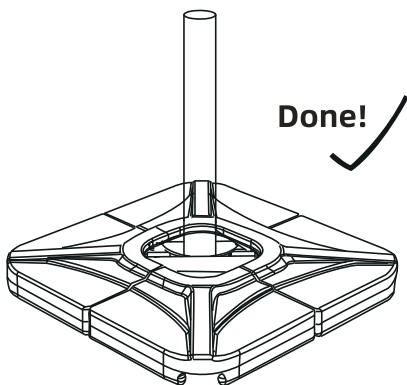
**NOTE:** The cross bars and the lower pole in picture are from our offset hanging umbrella. They are **NOT** included in this weight base package.

STEP 5



Assemble the other 3 plates.

STEP 6



## **WARRANTY**

- Bluu offers a 1-year basic warranty on BASE from the date of purchase against defects in material and workmanship. During this period Bluu will repair or replace, at our discretion, the defective component.
- This warranty does not apply to improperly installed, handled, abused, damaged by user error, nor to any unit which has been repaired or altered by unauthorized repair companies.
- Under no circumstances will the customer be entitled to consequential or incidental damages.
- This limited 1-year basic warranty will only grant customers certain legal rights; Customers may have other rights according to different state laws.