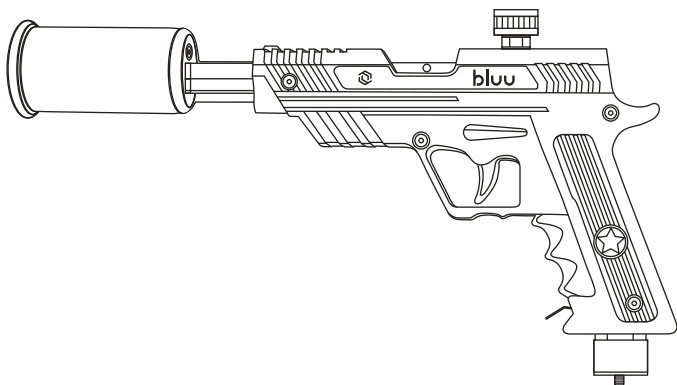
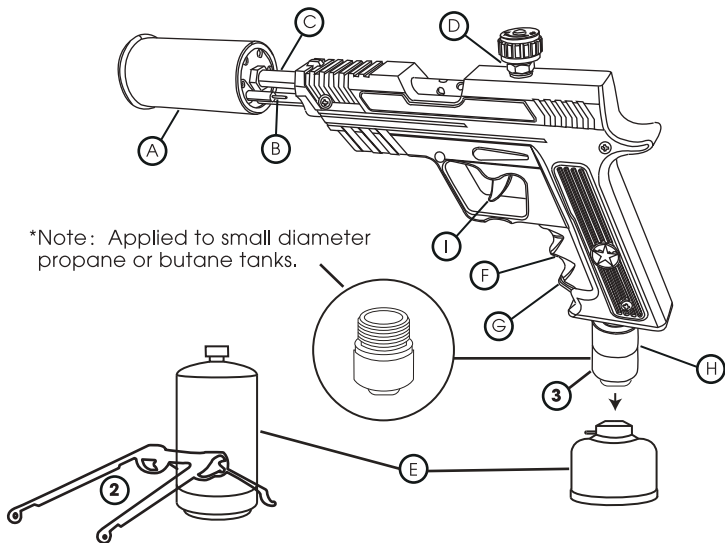


# COOKING TORCH



**Instruction Manual**

**\*THE DIAGRAM IS FOR REFERENCE ONLY**



## 1) COOKING TORCH

A: Fire Bell

B: Spark Electrode

C: Fuel Barrel

D: Gas Valve Knob

E: Propane Bottle (Not Included)

F : Handle Trigger

G : Handle Trigger Lock

H : Gas Connector

I : Finger Trigger

## 2) BOTTLE STAND

## 3) EN417 ADAPTER\*

# OPERATION AND LIGHTING

---

- 1.** Use only high quality MAPP, Map/Pro, Propane gas cylinder. Otherwise, It may cause a fire or explosion. Only use this torch with Propane or MAPP gases from vapor withdrawal.
- 2.** Before installing the gas cylinder, make sure the red gas valve knob is OFF by turning the gas adjustment knob in the '-' direction until hand tight only to shut off the potential fuel flow.
- 3.** Operate the cooking torch in a clear open-air area where it will be safe to operate a high-power, high-temperature torch without burning anything that you don't intend to burn.
- 4.** Turn the gas cylinder counter-clockwise into the torch valve body until hand tight. Check connection for leaks.
- 5.** After checking the connection for leaks, turn the gas adjustment knob a little bit in the '+' direction.
- 6.** Hold the cooking torch upright with the handle vertical such that you are not depressing either the Handle Trigger Lock or pulling the Handle Trigger.
- 7.** Pull and release the Finger Trigger to ignite the fuel flow.
- 8.** Once lit, the intensity of the flame is controlled either with the Gas Valve or the Handle Trigger. Adjust the Gas Valve to provide a higher flow of fuel.
- 9.** The Handle Trigger Lock is designed to keep you from inadvertently pulling the Handle Trigger and prevent accidental activation of the Handle Trigger Bypass Valve.
- 10.** The Handle Trigger(Bypass Valve) bypasses the Gas Valve to give you the ability to instantly provide full force to the cooking torch, regardless of the position of the Gas Valve knob. You can use the Handle Trigger to give a strong and sudden burst of high-velocity flame. Attention to safety.
- 11.** To turn off the cooking torch, turn the Gas Valve Knob fully clockwise (to the right) to shut off the gas flow, and release the Handle Trigger.
- 12.** Bottle Stand: The purpose of the stand is to allow you to set your cooking torch directly into the stand. Besides, it is a convenient place to set the cooking torch upright while cooling down. The bottle stand fits 3" and 4" diameter standard 1- lb propane bottles.

# GENERAL SAFETY RULES

---

## 1. PERSONAL PROTECTIVE EQUIPMENT

- Always wear eye protection which meet ANSI Z87.1.
- To protect yourself against potential burn, you would need to wear heavy gloves, leather shoes, and heavy cotton clothing treated to be fire retardant. You would not wear shorts or loose clothing.
- When lighting and handling The burning charcoal, be aware that the charcoal will pop and spark. The sparks are small bits of flaming charcoal that are quite hot and you will want to stand clear of them in order not to have them land on you and cause small burns on your skin, clothes or surrounding burnable objects.
- Avoid contact with skin and eyes. For skin contact, flush with large amount of water. In case of contact with eyes, rinse immediately with plenty of water and seek medical advice.

## 2. PROPER USAGE OF EQUIPMENT

- Only use this torch with Propane or MAPP gases from vapor withdrawal cylinders. Propane cylinders and connected propane bottles must be kept in an upright position when the torch is in use.
- EN417 adapter is used to convert the 1-lb fuel canister to EN417 valve output. Suitable for connecting the small diameter gas canister, portable backpacking stove, propane heater or other things which need EN417 connector, easily input and output.
- Before use, connect the propane fuel source to the torch with both the Gas Valve and the Handle Trigger closed. Listen for gas leaks and smell for the presence of propane leaking from the torch. Do not light the torch if you detect a leak.
- When attaching a 1-lb bottle to the Gas Connector, tighten the bottle only enough to come to a soft stop against the rubber seal in the Gas Connector. Overtightening can damage the cooking torch.
- Light the torch only with the internal ignition system using the Finger Trigger designed into the torch.

# WARNINGS

---

- Never leave a lit torch Unattended. Keep out of the reach of children.
- It is illegal and dangerous to refill the cylinder. When empty, discard it in a safe place. And disconnect the gas cylinder when not in use. Never store it with torch attached to the gas cylinder.
- If the torch has a 1-lb propane with the Fuel Barrel and Fire Bell oriented towards the front of the stand such that it will not tip over, rather than laying it on its side. Maintain secure footing when holding a lighted torch to avoid tripping or falling.
- When lighting the torch, flames WILL come out of the backside of the Fire Bell as it ignites. Keep hands clear of the Fire Bell both in front and in back.
- Do not point the torch towards face, other persons or flammable objects. Never attempt to use it as a cigarette lighter.
- Using this torch on or near flammable material or closed containers may cause a fire or explosion which may cause injury or death.
- The front end of the gun is called the Fire Bell, and it will be quite hot after use. Allow it to cool down completely before touching it or letting it come into contact with a flammable surface. DO NOT touch or store the equipment until it has cooled.
- When using the cooking torch inside, only use for heating materials in a large area with enough ventilation to avoid breathing smoke of fumes from the burning material. If inhaled, stop using the torch and remove the affected person to fresh air.
- For maximum performance of your cooking torch, store your 1-lb propane bottles inside at room temperature when it is winter and cold outside. In cold weather, the size of the flame can be smaller due to lower gas pressure. Pre-warming or shaking the gas cylinder to room temperature will help.

## **TECHNICAL SPECIFICATIONS:**

---

### **PERFORMANCE DATA**

Maximum supply pressure: 170 PSIG

Minimum cylinder size: 1 - lbs

Maximum BTU: 240,000 at 110 F (43 C)

Operating temperature: Limited by propane safety guidelines.

### **PROPANE BOTTLES AND TANKS**

Operating temperature: Room temp to 140 F (60 C)

## **THANK YOU FOR SHOPPING WITH US!**

---

Bluu offers a 1-year basic warranty on the product from the date of purchase against defects in material and workmanship. During this period bluu will repair or replace, at our discretion, the defective component.

If you have any questions, or need assistance with use, parts, or customer service, please contact us. To help us better understand your needs, please include your 17-digit Amazon Order # & some pics (if necessary). Our professional team will be there to assist you.