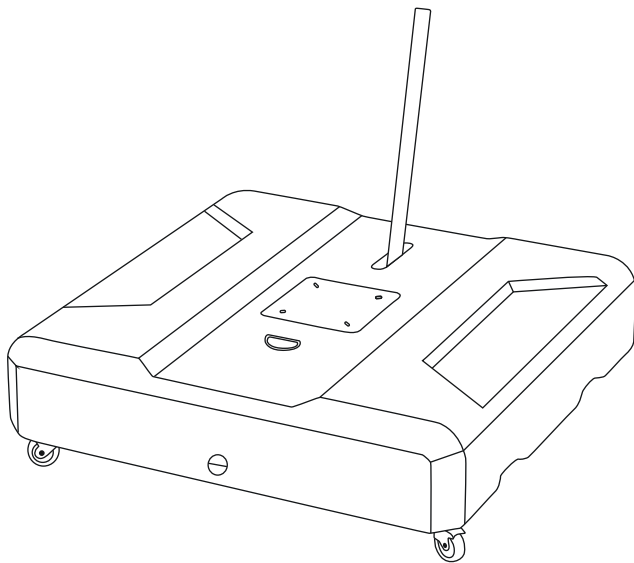


MOBILE BASE

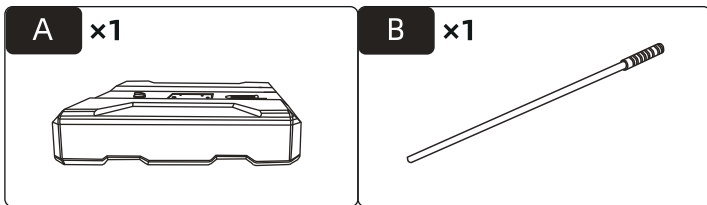
For Cantilever Umbrella



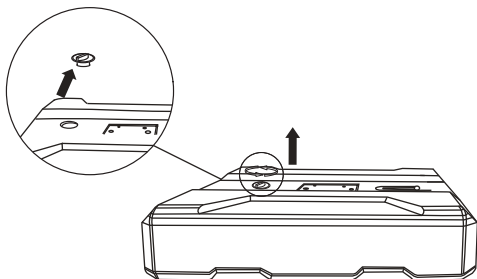
Instruction Manual

***THE DIAGRAM IS FOR REFERENCE ONLY**

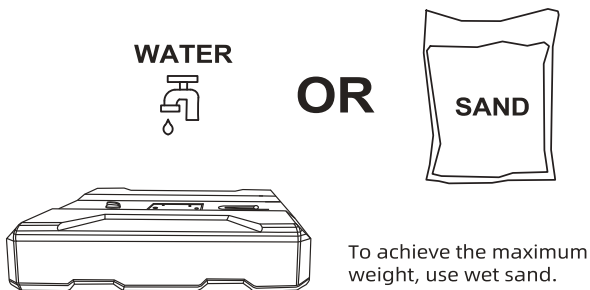
PARTS LIST



STEP 1



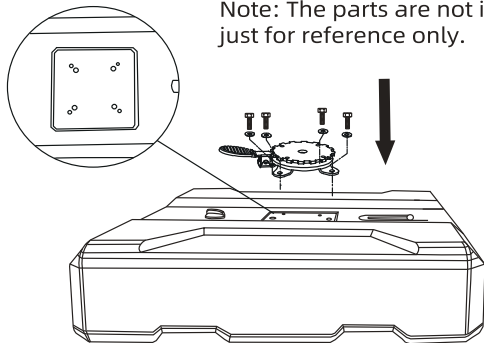
STEP 2



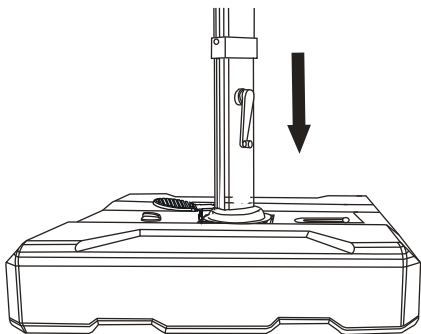
STEP 3

Attach the rotating base to the weight base after filling it with water or sand, you could use our matching screws.

Note: The parts are not included, just for reference only.

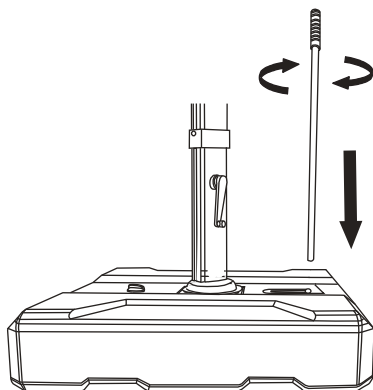


STEP 4



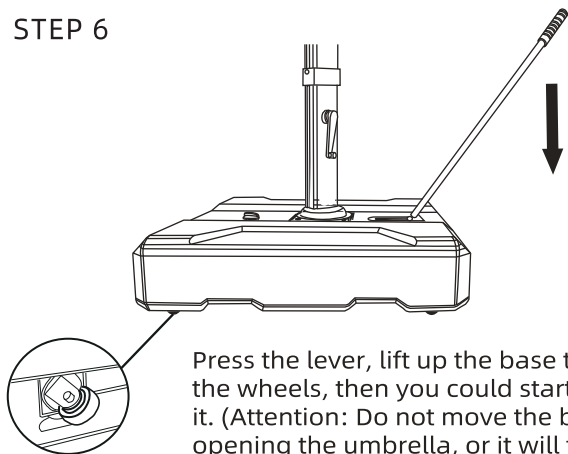
After that, place the umbrella pole on the rotating base.

STEP 5



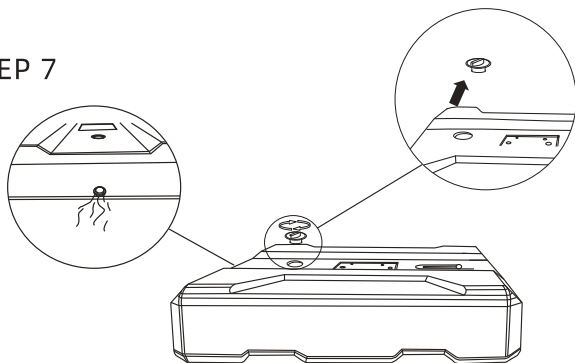
Screw the adjusting lever into the weight base.

STEP 6



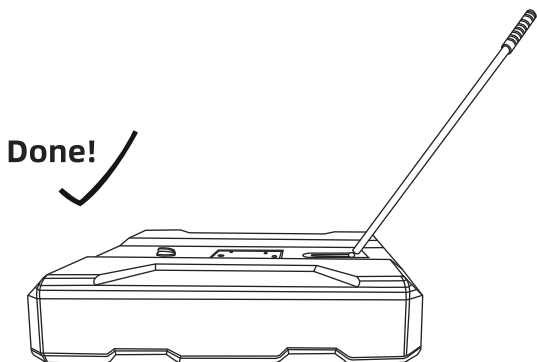
Press the lever, lift up the base to unfold the wheels, then you could start moving it. (Attention: Do not move the base when opening the umbrella, or it will fall down easily.)

STEP 7



You could open up the drain lid to drain the water inside when not in use.

STEP 8



WARRANTY

- Bluu offers a 1-year basic warranty on MOBILE BASE from the date of purchase against defects in material and workmanship. During this period Bluu will repair or replace, at our discretion, the defective component.
- This warranty does not apply to improperly installed, handled, abused, damaged by user error, nor to any unit which has been repaired or altered by unauthorized repair companies.
- Under no circumstances will the customer entitled warranty to consequential or incidental damages.
- This limited 1-year basic warranty will only grant customers certain legal rights; Customers may have other rights according to different state laws.