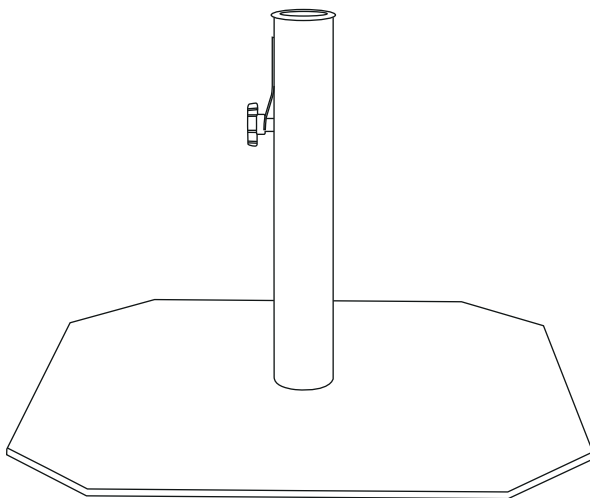


IRON WEIGHT BASE

For Market Umbrella

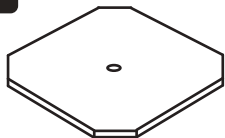


Instruction Manual

***THE DIAGRAM IS FOR REFERENCE ONLY**

PARTS LIST

A x1



B x1



C x1



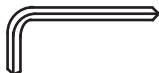
D x1



E x1



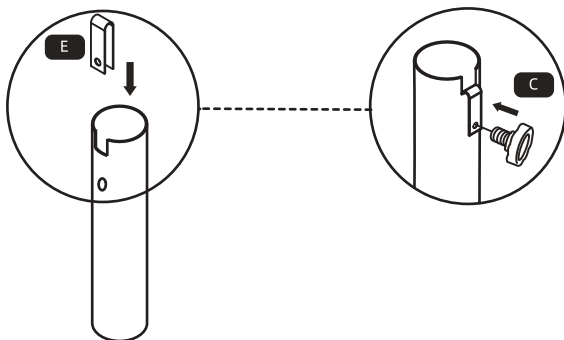
F x1



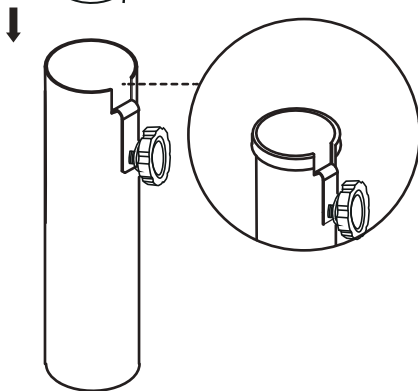
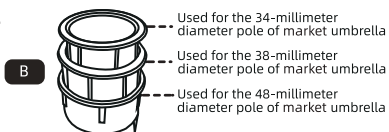
G x1



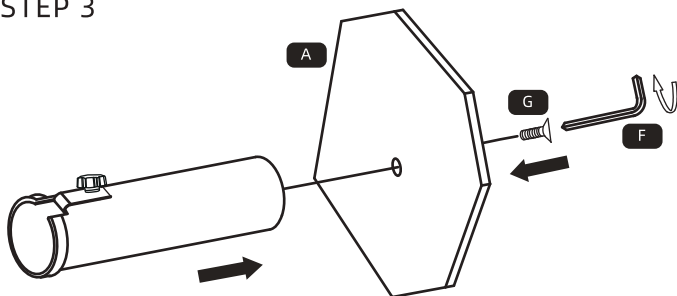
STEP 1



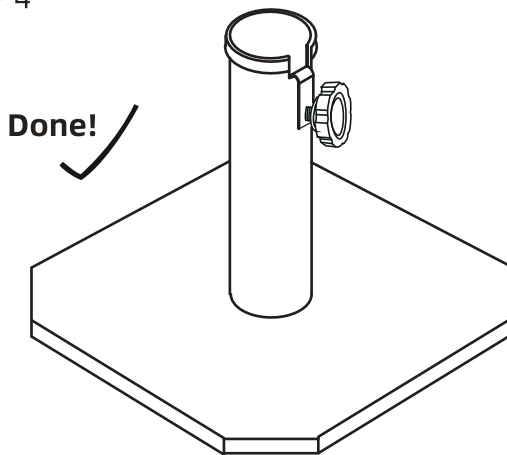
STEP 2



STEP 3



STEP 4



WARRANTY

- Bluu offers a 1-year basic warranty on WEIGHT BASE from the date of purchase against defects in material and workmanship. During this period Bluu will repair or replace, at our discretion, the defective component.
- This warranty does not apply to improperly installed, handled, abused, damaged by user error, nor to any unit which has been repaired or altered by unauthorized repair companies.
- Under no circumstances will the customer entitled warranty to consequential or incidental damages.
- This limited 1-year basic warranty will only grant customers certain legal rights; Customers may have other rights according to different state laws.