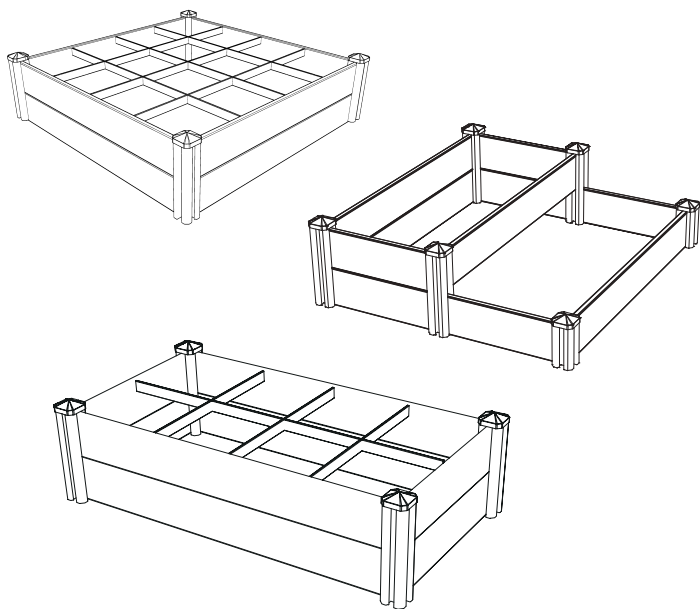




Planter Raised Garden Beds



 **Instruction Manual**

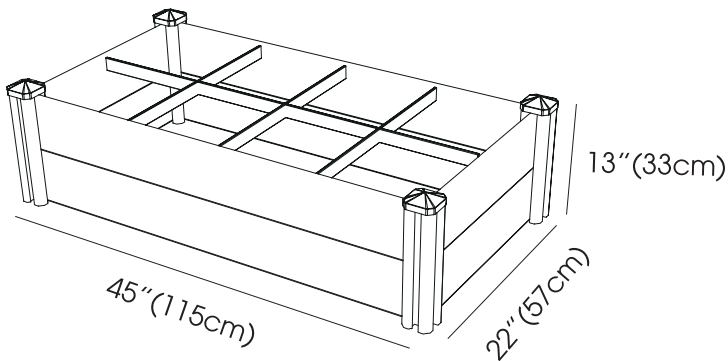
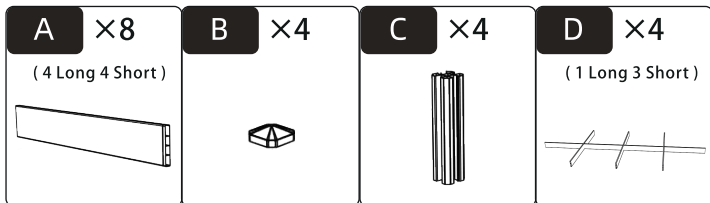
***THE DIAGRAM IS FOR REFERENCE ONLY**

CONGRATULATIONS!

 THANK YOU FOR CHOOSING OUR PRODUCTS.

- We're sure that you'll not only grow healthy foods but you'll have fun too.
- Grow your own healthy organic foods.
- Reduce your water consumption.
- Naturally control weeds.
- Plant earlier (the soil warms faster).

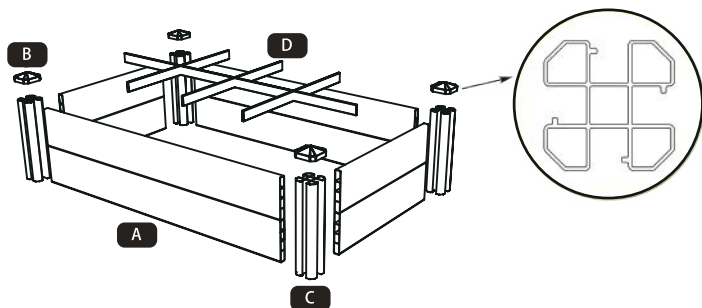
BOX CONTENTS (1)



SPLIT DISPLAY

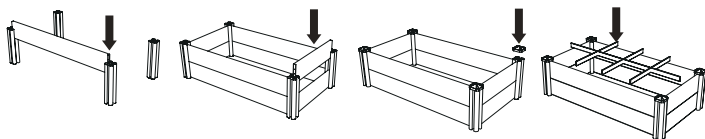
DEVELOPED WITH MULTIPLE PATENTED R & D COMPONENTS AND MULTIPLE ADVANTAGES

- Side panel: The side panel has a slot design, and it is installed by pressing.
- Upright: Patented design, no screws, easy installation.
- Top cover: Curved top cover to reduce hidden dangers.
- Gird: Dividing flower beds and planting different fruits and vegetables .

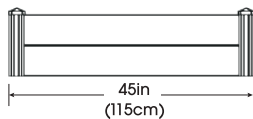
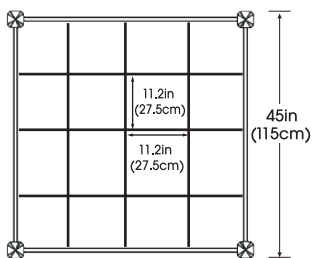
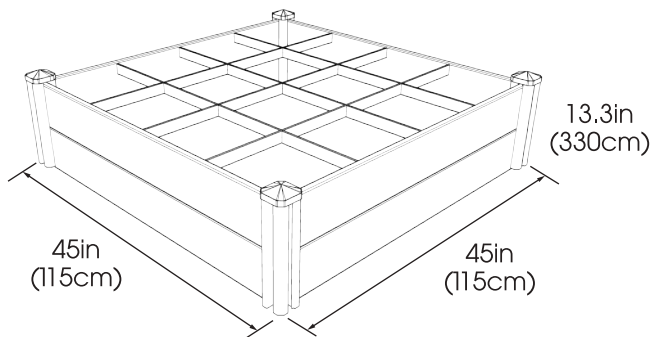
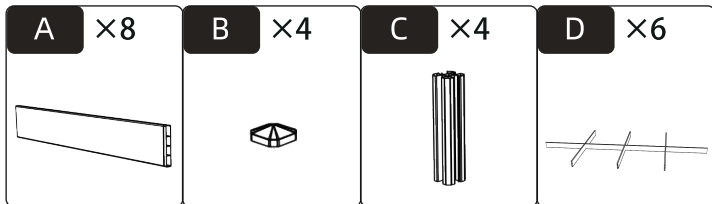


STEP DESCRIPTION

- Follow these simple instructions to assemble your new Raised Garden.
- Fill the new garden with organic soil. We usually recommend a mixture of 1/3 Vermiculite to 1/3 Compost to 1/3 Peat Moss or Coconut Coir.
- Plant your veggies. Visit your local nursery for the best vegetables for the growing zone that you live in.



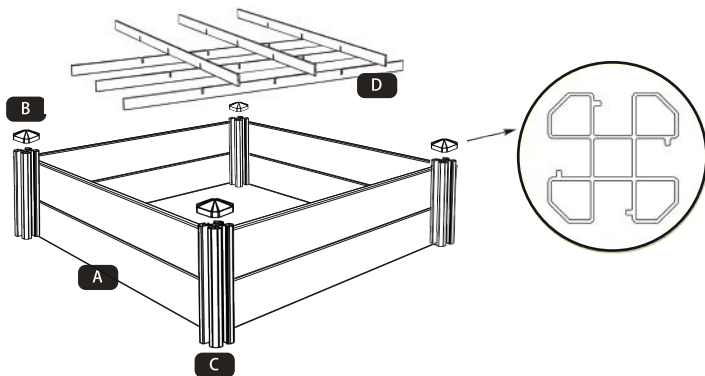
 BOX CONTENTS (2)



SPLIT DISPLAY

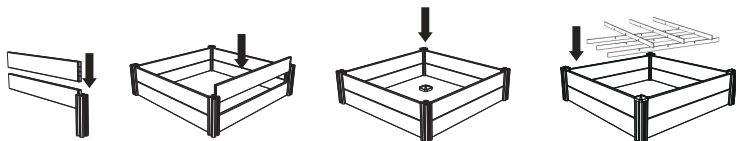
DEVELOPED WITH MULTIPLE PATENTED R & D COMPONENTS AND MULTIPLE ADVANTAGES

- Side panel: The side panel has a slot design, and it is installed by pressing.
- Upright: Patented design, no screws, easy installation.
- Top cover: Curved top cover to reduce hidden dangers.
- Gird: Dividing flower beds and planting different fruits and vegetables.



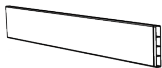
STEP DESCRIPTION

- Follow these simple instructions to assemble your new Raised Garden.
- Fill the new garden with organic soil. We usually recommend a mixture of 1/3 Vermiculite to 1/3 Compost to 1/3 Peat Moss or Coconut Coir.
- Plant your veggies. Visit your local nursery for the best vegetables for the growing zone that you live in.



 BOX CONTENTS (3)

A ×10



(4 Long 6Short)

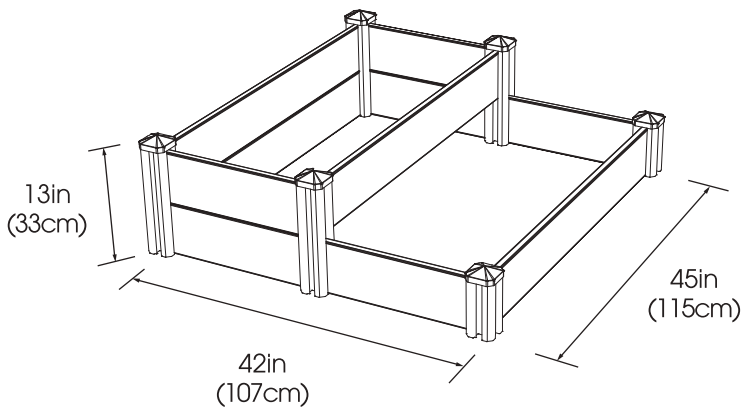
B ×6



C ×6



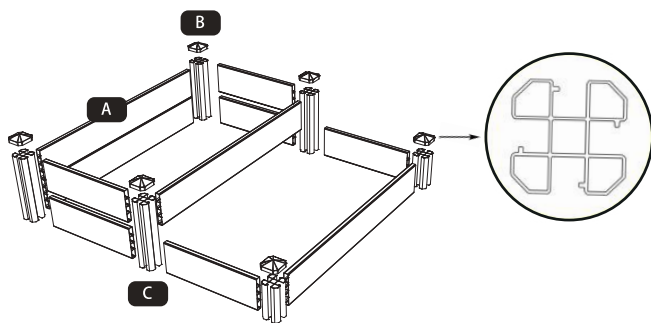
(4 Long 2Short)



SPLIT DISPLAY

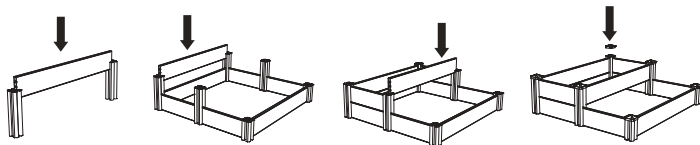
DEVELOPED WITH MULTIPLE PATENTED R & D COMPONENTS AND MULTIPLE ADVANTAGES

- Side panel: The side panel has a slot design, and it is installed by pressing.
- Upright: Patented design, no screws, easy installation.
- Top cover: Curved top cover to reduce hidden dangers.
- Gird: Dividing flower beds and planting different fruits and vegetables.



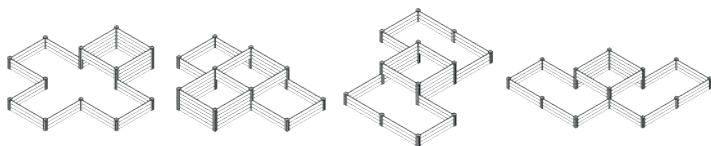
STEP DESCRIPTION

- Follow these simple instructions to assemble your new Raised Garden.
- Fill the new garden with organic soil. We usually recommend a mixture of 1/3 Vermiculite to 1/3 Compost to 1/3 Peat Moss or Coconut Coir.
- Plant your veggies. Visit your local nursery for the best vegetables for the growing zone that you live in.



UNLEASH YOUR GARDENING CREATIVITY

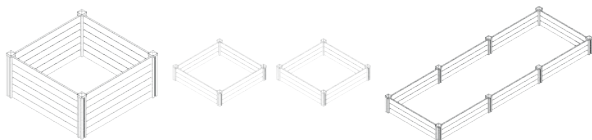
WITH OUR MODULAR GARDEN BEDS



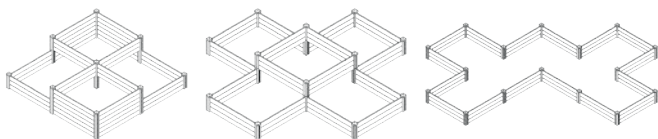
THE GARDEN OF YOUR DREAMS LIMITED

ONLY BY YOUR IMAGINATION

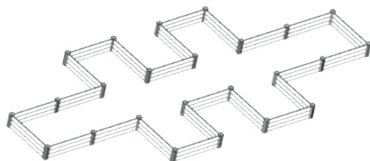
Beds 2 With Two Beds, you can build



Beds 4 With Four Beds, you can build



Beds 6 With Six Beds, you can build



WARRANTY

BLUU offers a 365 day basic warranty on the Planter Raised Garden Beds from the date of purchase against defects in material and workmanship. During this period, BLUU will repair or replace, at our discretion, the defective component.

This warranty does not apply to improperly installed, handled, abused, damaged by user error, nor to any unit which has been repaired or altered by unauthorized repair companies.

Under no circumstances will the customer entitled warranty to consequential or incidental damages.