

PATIO CHAISE LOUNGE

ASSEMBLY INSTRUCTIONS



Instruction Manual

***THE DIAGRAM IS FOR REFERENCE ONLY**



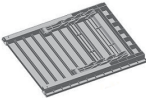
IMPORTANT


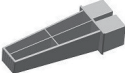
- READ ALL INSTRUCTIONS BEFORE ASSEMBLING.
- CHECK PARTS AND THE ENCLOSED HARDWARE BAG WITH THE HARDWARE LIST TO BE SURE ALL ARE INCLUDED AND QUANTITIES ARE CORRECT.
- PLEASE CONTACT CUSTOMER SERVICE IF YOU HAVE ANY PROBLEMS OR DISCOVER ANY MISSING PARTS.
- KEEP THESE INSTRUCTIONS FOR FUTURE REFERENCE.

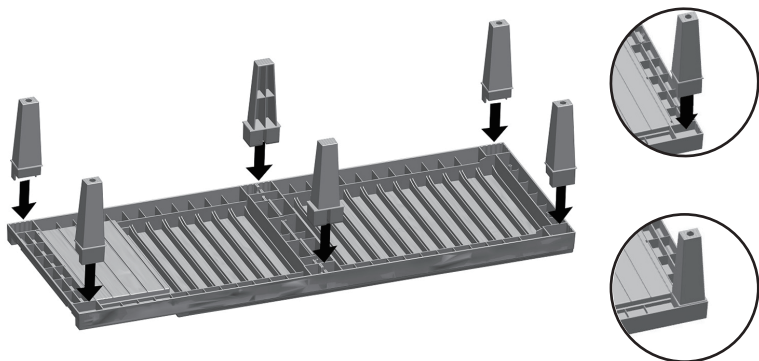
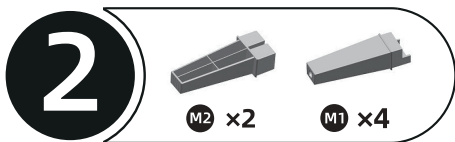
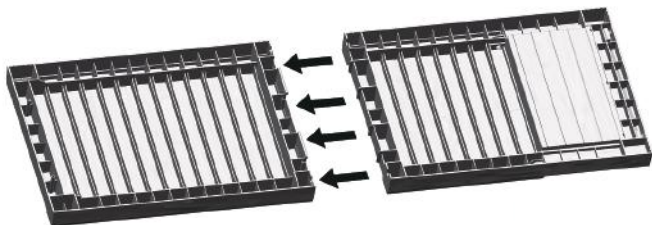
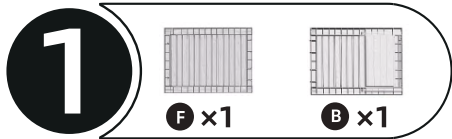
CARE & SAFETY

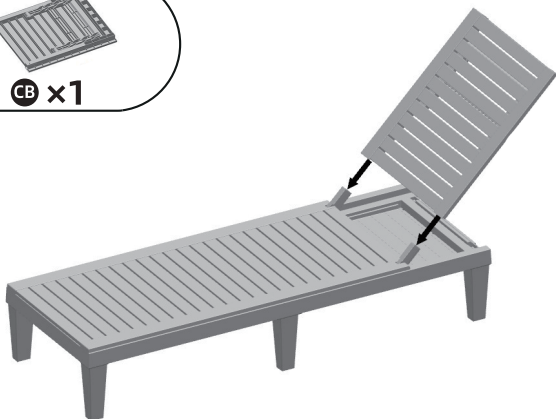
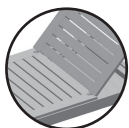
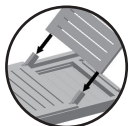
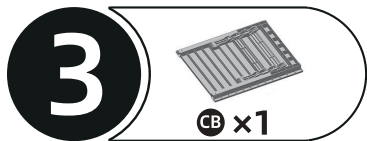
- DO NOT SKIP ANY STEP. IT IS OF UTMOST IMPORTANCE TO ASSEMBLE ALL OF THE PARTS ACCORDING TO THE DIRECTIONS.
- WEAR SAFETY-GOGGLES AND ALWAYS FOLLOW THE MANUFACTURER'S INSTRUCTIONS WHEN USING POWER TOOLS.
- PLEASE DISPOSE ALL PACKAGING AND PLASTIC BAGS.


ASSEMBLY PARTS

Item no.	Reference Image	Qty
F		x1
B		x1
CB		x1

Item no.	Reference Image	Qty
M1		x4
M2		x2





 **PAY ATTENTION:**
DO NOT EXCEED THE MAXIMUM
LOAD OF 330 LBS (150 KGS).



LIMITED 2-YEAR WARRANTY

The warranty is valid as of the date of purchase and a dated proof of purchase should be presented on request. Any product or part which fails due to structural defect or faulty workmanship, or which fails due to fading of color, for a 2-year period from the initial date of purchase.

This warranty does not include:

- Shelter that has been subjected to abuse, accident, alteration, modification, tampering, vandalism, negligence, misuse, abrasive contact, faulty installation, lack of reasonable care or if affixed to any attachment not provided with the shelter.
- Damage to the contents of shelter, any person or property is excluded.
- Normal and foreseeable wear and tear.
- Damage that occurs due to acts of nature, ie. hurricane, tornado, wind, flood, snow, wind driven debris, etc.
- Third party labor or installation fees of any kind are not recoverable under the warranty.
- Customer is responsible for all zoning issues and permits if required.
- Product not installed according to instructions provided.
- BLUU shall not be responsible for any damage caused by any reason whatsoever to goods stored in the Product.