



AUTOMATIC MARKET UMBRELLA



 **Instruction Manual**

***THE DIAGRAM IS FOR REFERENCE ONLY**

IMPORTANT:

READ IT CAREFULLY AND KEEP IT FOR FUTURE REFERENCE.

SAFETY NOTES

- **IMPORTANT!** Always close/put down the umbrella when not in use. Do not use or assemble the umbrella in heavy winds, rain, thunderstorms or if it's snowing. In these weather conditions, we recommend folding down or disassembling the umbrella.
 - **IMPORTANT!** The umbrella must be secured in place at the bottom using weights or being bolted down to the ground. Make sure the ground is level and firm.
Do not assemble the umbrella on sandy, muddy or loose soil.
 - **IMPORTANT!** If the umbrella cannot entirely raise after pressing the rise button, please check whether the rope falls off the pulley.
 - **IMPORTANT!** Placing the umbrella over or near a swimming pool can cause premature fading of the canopy.
 - **IMPORTANT!** Keep children and pets away while setting up the umbrella.
 - **IMPORTANT!** Do not open the umbrella multiple times in a row. After switching 2-3 times, stop for 10 minutes before the subsequent use to prevent the motor from overheating damage.
 - Children must be supervised around the umbrella.
 - To prevent damage to umbrella, face the canopy against the wind.
 - Do not light any fires under or near the umbrella!
 - This umbrella is for outdoor use only. This umbrella is primarily intended to be used as a sunshade and not as wind protection.
 - This product has been tested for domestic and commercial use.
-

CARE INSTRUCTIONS

- To clean the canopy fabric, use mild soap or warm water with a clean, dry cloth or soft brush to remove spots. Never use solvent-based detergents since these may bleach the material and damage the fabric. Also, do not use any alkali or acidic detergents or steam blasters to clean the umbrella.
 - To clean the umbrella frame, wipe it with a mild soap solution. It is not recommended to clean plastic or metal products with a strong cleaner or an abrasive material since it may discolor or damage the surface.
 - The umbrella frame is painted with a powder coating of plastic paint to protect the umbrella. The umbrella frame will not be well protected once the coating comes off (e.g. rust). To repair damaged frame, please repaint it to restore the protection.
-

STORAGE

- We recommend that you close the umbrella when not in use and put a waterproof cover on it. Before putting the cover on, please make sure that your umbrella is completely dry and clean. During the off-season, store the covered umbrella in a cool and dry place indoors.

DISPOSAL

- If you wish to dispose of the umbrella, do not throw it in the trash. For safety and environmental purposes, please take the umbrella to a recycling center for proper disposal.

ADDITIONAL INFORMATION

1. Our umbrella is equipped with a battery pack that can continuously power the umbrella for about three months (on the condition that without recharging other devices).
2. The controller part of the umbrella supports IP64 waterproofing, which can prevent circuit failure caused by splashing water. However, **DO NOT** expose the controller to rain for long to avoid damaging components caused by flooding water.
3. The umbrella supports the pause function. When the umbrella is rising/closing, press the rise or down button of the control panel to immediately pause the movement.
4. The umbrella supports the tilted power-off function. The power will automatically disconnect when the umbrella's tilt exceeds 30°. When the umbrella is flat on the ground or moving, the power will also be automatically disconnected, and there will be no response when pressing the button.
5. The umbrella control box has two light definitions, blue light & red light.

- The following working status will appear in the BLUE light status.

- a) When the umbrella is in normal working status.
- b) When the umbrella is closed, press the button again, and the blue light will flash.
- c) When reinserting the battery pack into the umbrella.
- d) When pairing the new remote with the umbrella.

- The following working status will appear in the RED light status.

- a) When the battery is 10% < battery power ≤ 20%, the red light will flash in the form of a marquee every time it works.
- b) When the battery pack's power is ≤ 10%, if you press the button, the motor will not respond, and the full indicator light will be on and flash.
- c) When the umbrella is used frequently within a short period, it could cause a high temperature of the umbrella's body and trigger the thermal protection function. If you press the button, the umbrella will not respond. The whole indicator light will be on and flash until the temperature returns to normal. It is recommended to protect the motor by cooling it for 10 minutes after every 2-3 use cycles.
- d) When the umbrella's tilt exceeds 30°, if you press the button, the umbrella does not respond, and the indicator light will turn on for 3 seconds as a reminder to avoid the umbrella from damage.
- e) When the umbrella is flat on the ground or moving around, the power will automatically disconnect if you press the button; the umbrella will stop working to avoid getting damaged.

*6 For purchasing a new remote control, code pairing is required before use.

Step 1: Press and hold both the up and down buttons of the control box with two fingers until the indicator starts flashing blue and then you can release the buttons.

Step 2: Press and hold the pause button on the remote control and release it after three seconds to complete the code pairing.

Code Pairing Succeeds: The indicator light turns blue for 2 seconds, then turns off. If the user keeps pressing the button, the umbrella will perform the corresponding action.

Code Pairing Failure: No response when you press the button. Please repeat Step 2 after 20 seconds; if it exceeds 20 seconds, you need to follow the instructions of Step 1 again.

PRECAUTIONS FOR USING THE BATTERY PACK

- a) **Do NOT** disassemble, open, chop, or pierce the power pack with metal.
 - b) **Do NOT** expose the power pack to heat sources or flames. Do NOT throw the power pack into flames. Avoid storage under direct sunlight.
 - c) **Do NOT** place multiple power packs within the same boxes or drawers to avoid mutual short circuits or short circuits by other metal objects.
 - d) Mechanical impact on the instrument power supply is prohibited.
 - e) Once a leak occurs, **DO NOT** contact the leaked liquid directly with skin or eyes. In case of contact, please flush the affected area with copious water.
 - f) For the charging, please follow the manufacturer's instructions strictly.
 - g) Pay attention to the indicators on the power pack to ensure proper use.
 - h) Always keep the power pack clean and dry.
 - i) **Do NOT** charge the power pack for too long.
 - j) Please keep the original product instructions for future reference.
 - k) Disposal of discarded power packs according to national and local environmental protection laws and regulations.
 - l) The battery pack is only applicable to this electric umbrella.
This product uses a lithium-ion battery. It is strictly forbidden to open the product casing without a professional; disassembling, squeezing, and piercing are strictly prohibited. ONLY allow children to use the device supervised to avoid swallowing small accessories. **Do NOT** put the device into fire or water to prevent explosion or damage to the device components. Not suitable for children under five years old.
 - m) Refrain from dropping or soaking the battery pack.
 - n) Suitable use conditions: **Ambient temperature : 0°C ~ 45°C Ambient humidity: ≤ 75% (Relative humidity)**
-

PRECAUTIONS FOR USING THE UMBRELLA

- a) During the operation, ensure no barriers around the surroundings.
- b) During the motor's working state, it is forbidden to touch the operating components and obstruct the movement of the umbrella to avoid personal injury and product damage.
- c) When the umbrella is unused for a long time, please remove the battery pack to store it indoors, and charge it once every two months to avoid damage caused by over-discharge.
- d) * If your umbrella is equipped with a remote control, please keep it properly. If you lose it, please go to the official website of Bluu to buy it, and follow the above steps to pair the remote control before use.
- e) Normally, the battery's performance will deteriorate after long-term use. If you need to replace the battery, please go to the official website of Bluu to buy it. Otherwise, batteries from other vendors will not match Bluu electric umbrella.
- f) The umbrella will make the motor sound during operational status, which is a normal phenomenon.
- g) If there is any abnormal phenomenon while using the umbrella, please stop using it immediately and contact our customer service in time to help you solve the problem.



FCC Caution:

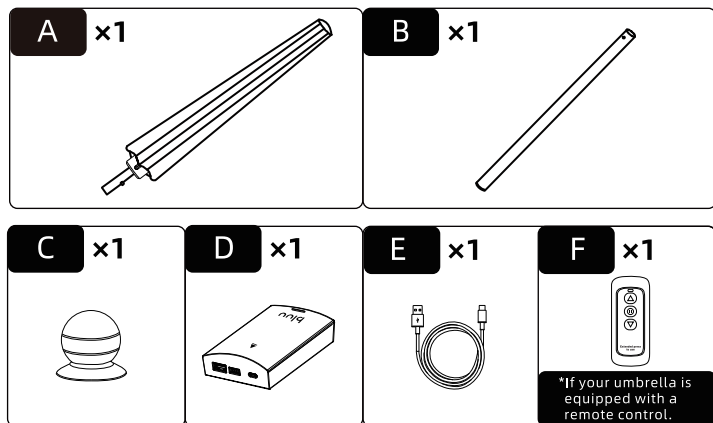
This device complies with part 15 of the FCC Rules. Operation is subject to the following two conditions: (1) This device may not cause harmful interference, and (2) this device must accept any interference received, including interference that may cause undesired operation.

Any Changes or modifications not expressly approved by the party responsible for compliance could void the user's authority to operate the equipment.

Note: This equipment has been tested and found to comply with the limits for a Class B digital device, pursuant to part 15 of the FCC Rules. These limits are designed to provide reasonable protection against harmful interference in a residential installation. This equipment generates uses and can radiate radio frequency energy and, if not installed and used in accordance with the instructions, may cause harmful interference to radio communications. However, there is no guarantee that interference will not occur in a particular installation. If this equipment does cause harmful interference to radio or television reception, which can be determined by turning the equipment off and on, the user is encouraged to try to correct the interference by one or more of the following measures:

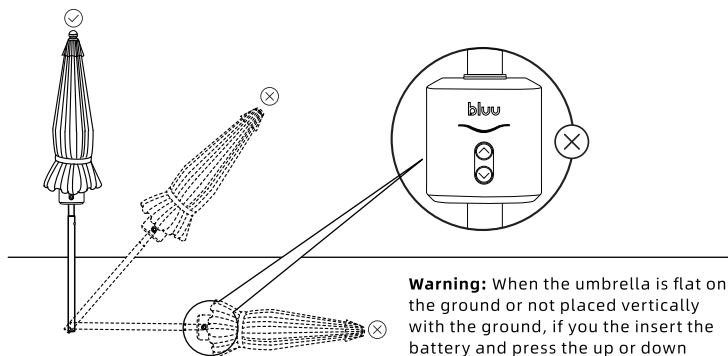
- Reorient or relocate the receiving antenna.
- Increase the separation between the equipment and receiver.
- Connect the equipment into an outlet on a circuit different from that to which the receiver is connected.
- Consult the dealer or an experienced radio/TV technician for help.

PARTS LIST



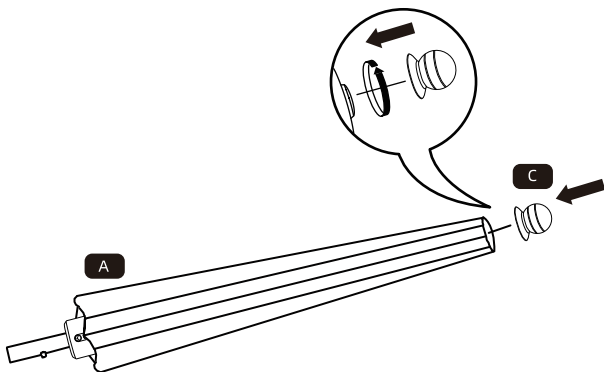
Before beginning to assemble this product, make sure all parts are present. Compare parts with package contents list and hardware contents list. If any parts are missing or damaged, do not attempt to assemble this product. Stop and contact our customer service center.

Remove all protective materials on the product before any assembly.

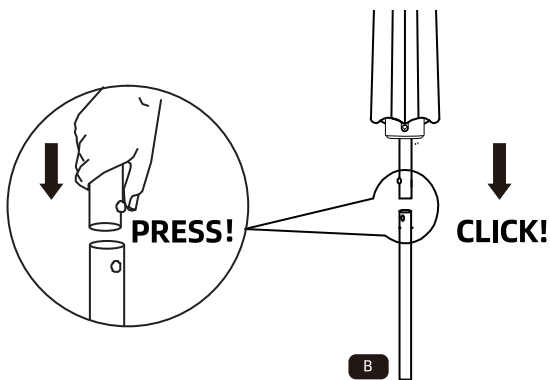


To set up the umbrella

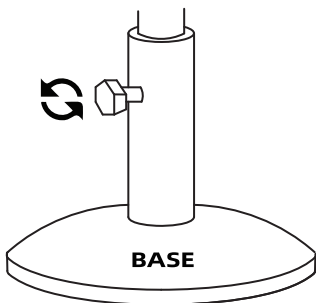
STEP 1



STEP 2



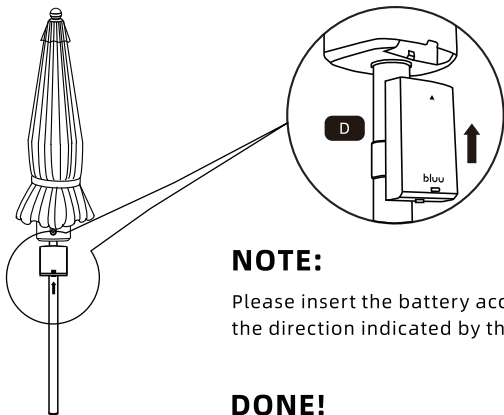
STEP 3



NOTE:

If you need a weight base, please visit bluu.com.

STEP 4



NOTE:

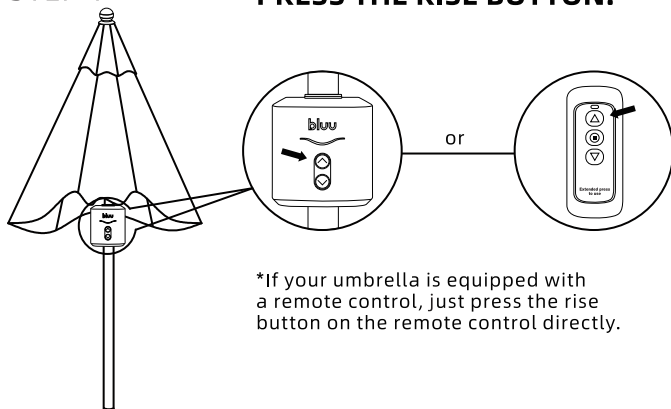
Please insert the battery according to the direction indicated by the arrow.

DONE!

To open the umbrella

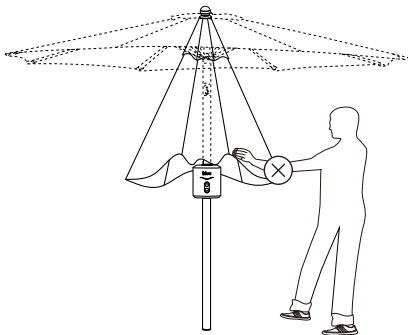
STEP 1

PRESS THE RISE BUTTON.



*If your umbrella is equipped with a remote control, just press the rise button on the remote control directly.

WARNING:



When the motor is working, ensure NO barriers around the surroundings and do NOT move the umbrella or touch components with hands.

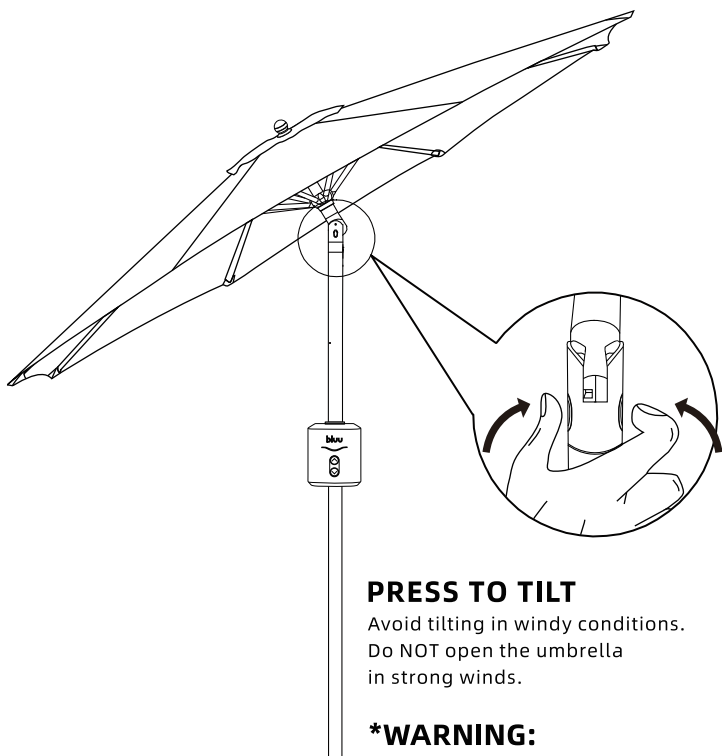


HINT:

1. When using the remote control for the first operation after a long standby (about 20s), you need to long-press the remote control button to wake up the machine, and then the corresponding function will be performed. This is a normal phenomenon.

2. It takes about 15-18 seconds to open the umbrella entirely and about 14 seconds to close it.

To Tilt the Umbrella



PRESS TO TILT

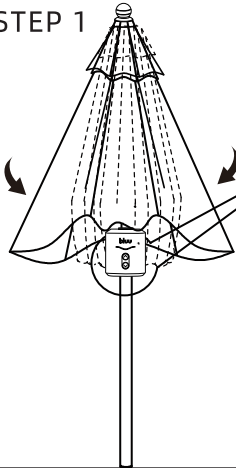
Avoid tilting in windy conditions.
Do NOT open the umbrella
in strong winds.

***WARNING:**

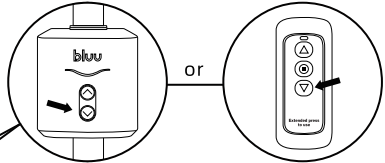
Do NOT open or close the umbrella
when it is tilted! Damages caused by
this misuse will not be covered by the
warranty.

To Close the Umbrella

STEP 1



PRESS THE DOWN BUTTON.

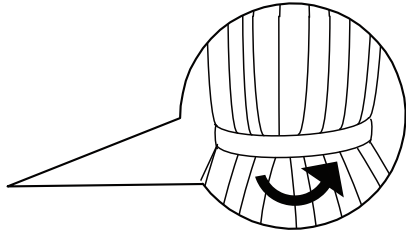
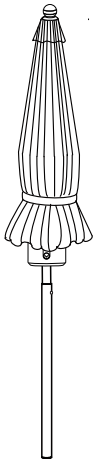


*If your umbrella is equipped with a remote control, just press the down button on the remote control directly.

***WARNING:**

When the motor is working, ensure NO barriers around the surroundings and do NOT move the umbrella or touch components with hands.

STEP 2



Secure the umbrella with the strap for protection.

DONE!

WARRANTY

- Bluu offers a 2-year basic warranty on ENTIRE UMBRELLA from the date of purchase against defects in material and workmanship. During this period Bluu will repair or replace, at our discretion, the defective component.
- This warranty is limited to manufacturing defects associated with the products and does not cover any damage caused by improperly installed, handled or abused by user, nor to any unit which has been repaired or altered by unauthorized repair companies.
- Under no circumstances will the customer be entitled to warranty consequential or incidental damages.
- This limited 1-year basic warranty will only grant customers certain legal rights; Customers may have other rights according to different state laws.
- **For warranty extension on other parts (if any), e.g. canopy fabric, please refer to the product page in the corresponding purchase channel for more information.**

THANK YOU FOR SHOPPING WITH US!

If you have any questions, or need assistance with use, parts, or customer service.

Please contact **support@bluu.com**.
Or text us messages at **(888) 363-2297**.

To help us identify your order, please include your Order #. Our professional team will be there to assist you.

Customer Service Team

bluu.com



Please scan the QR code
for more Bluu products.

