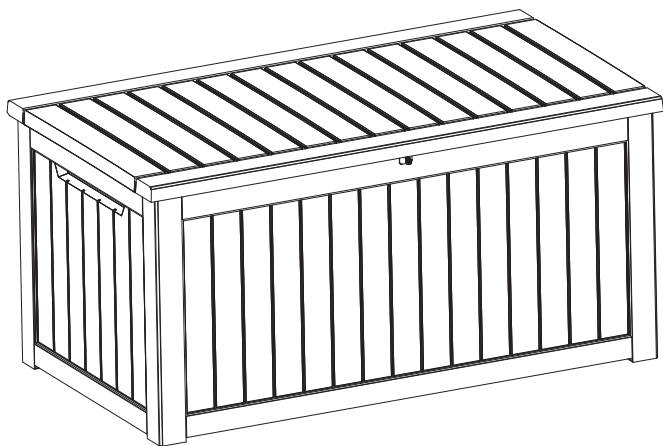




230 GALLON DECK BOX



 **Instruction Manual**

***THE DIAGRAM IS FOR REFERENCE ONLY**

IMPORTANT

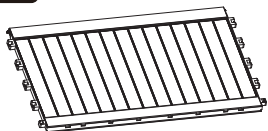
- Read carefully and keep for future reference
 - Please contact customer service if you have any problems or discover any missing parts.
-

CARE & SAFETY

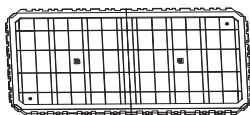
- To prevent risk of suffocation, DO NOT allow children to play inside the box.
- DO NOT skip any step. It is of utmost importance to assemble all of the parts according to the directions.
- In case of fire, DO NOT attempt to extinguish any burning polypropylene with water.
- Wear safety-goggles and always follow the manufacturer's instructions when using power tools.
- Using a stiff brush or abrasive cleaner could damage box.
- DO NOT store any hot items inside the box, such as used grills, blowtorches, etc.
- Unsuitable for the storage of flammable or corrosive substances.
- DO NOT stand on lid.

PARTS LIST

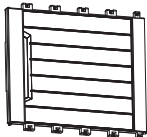
A ×2



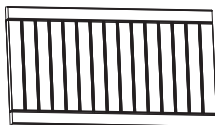
B ×1



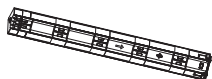
C ×2



J ×1



G ×4



H ×1



D ×2

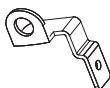


P2 ×32



M4*16MM

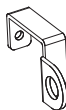
V ×1



G2 ×4



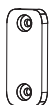
I ×1



H1 ×2



T ×1



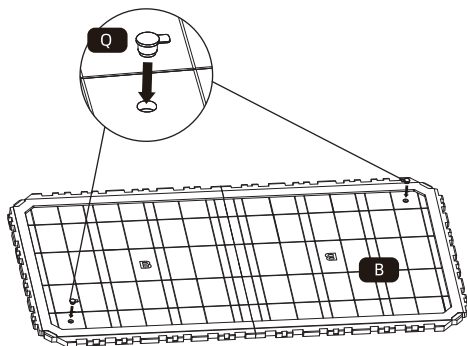
E ×1



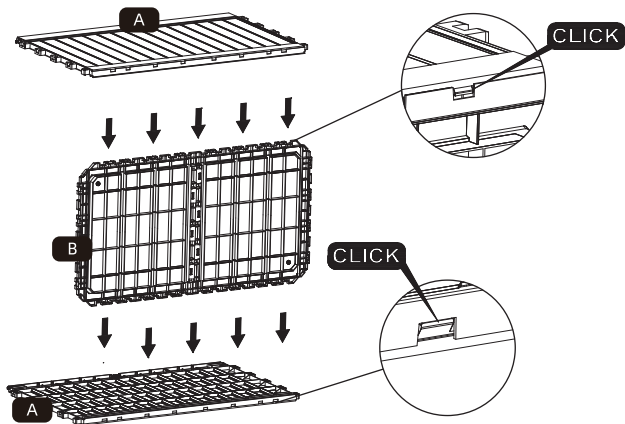
Q ×2



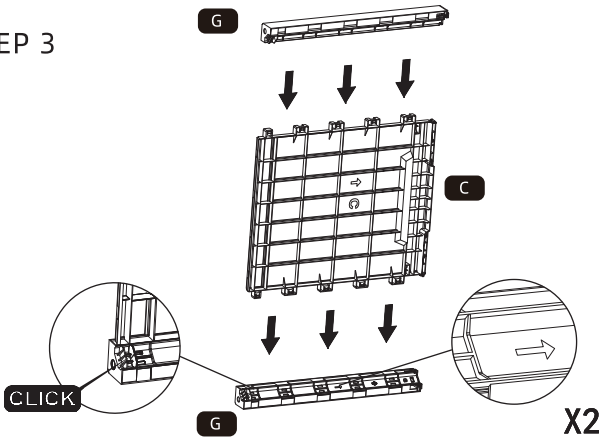
STEP 1



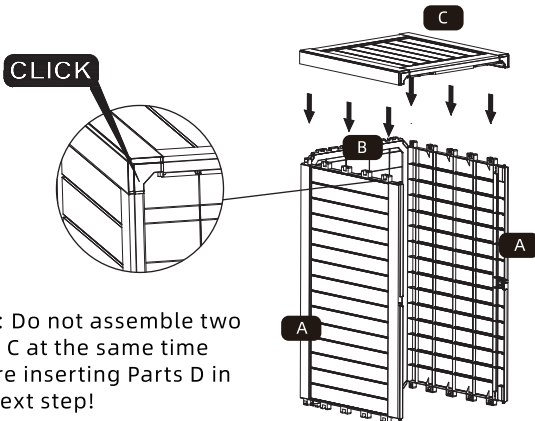
STEP 2



STEP 3

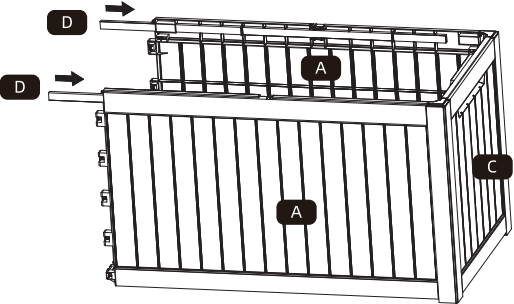


STEP 4

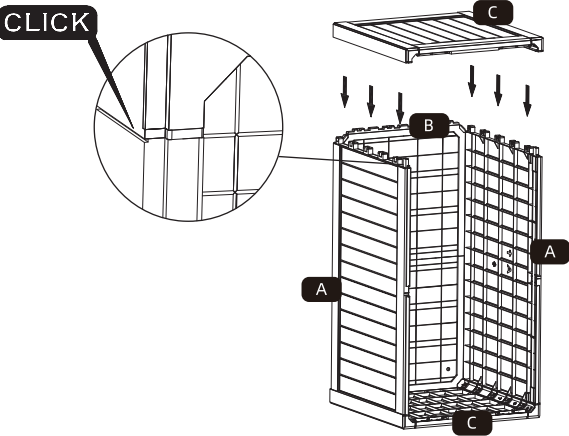


Note: Do not assemble two Parts C at the same time before inserting Parts D in the next step!

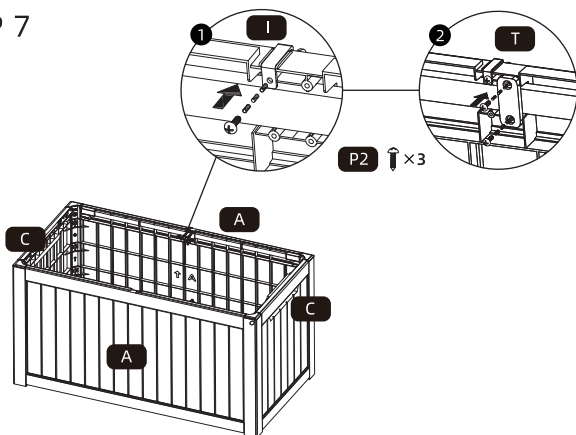
STEP 5



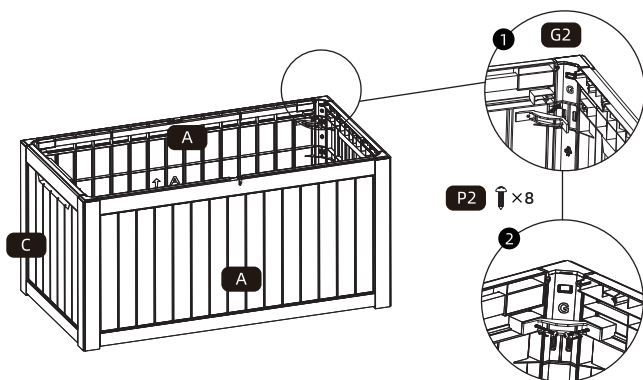
STEP 6



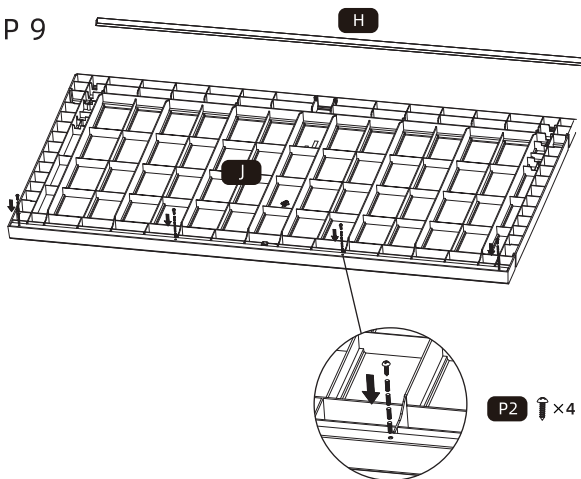
STEP 7



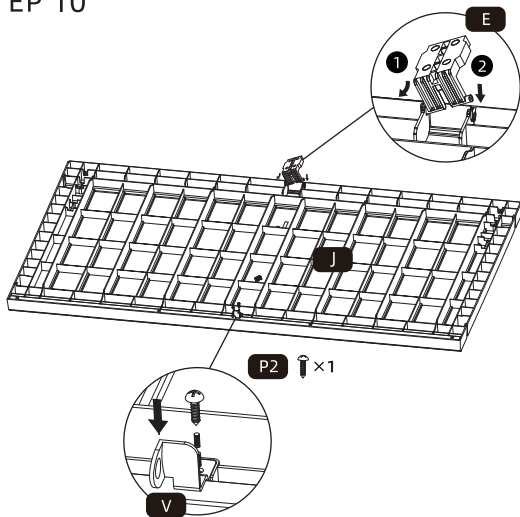
STEP 8



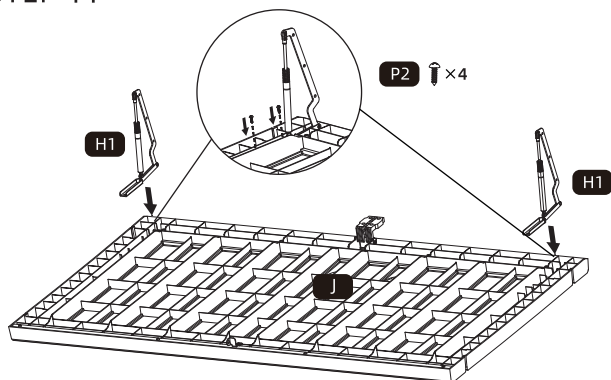
STEP 9



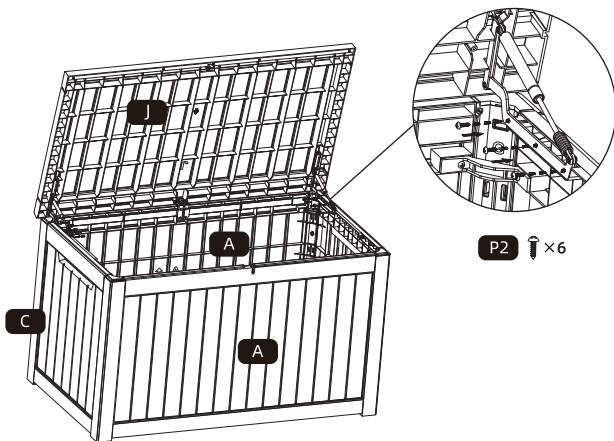
STEP 10



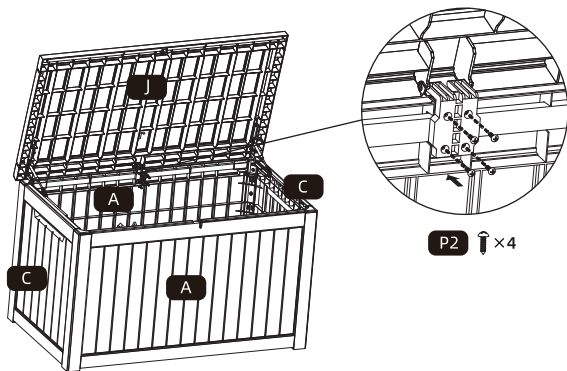
STEP 11



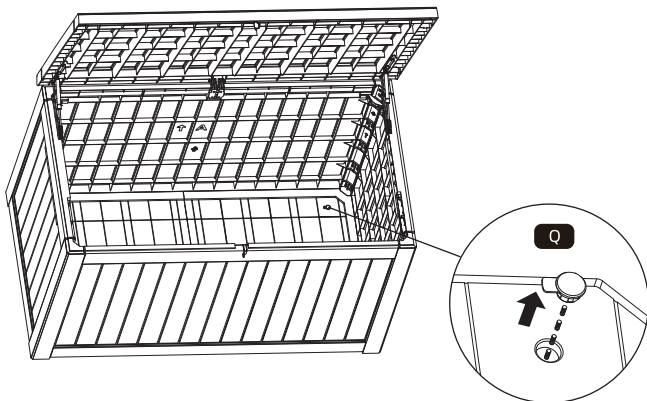
STEP 12



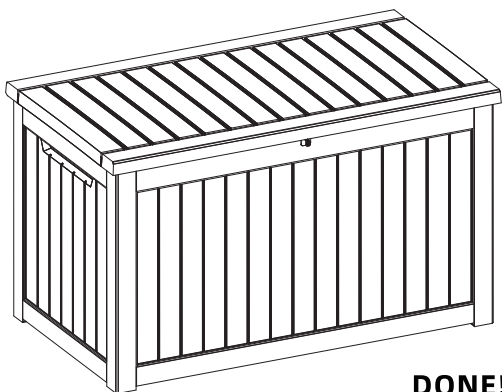
STEP 13



STEP 14



STEP 15



DONE!

WARRANTY

- Bluu offers a 1-year basic warranty on 230 GALLON DECK BOX from the date of purchase against defects in material and workmanship. During this period Bluu will repair or replace, at our discretion, the defective component.
- This warranty does not apply to improperly installed, handled, abused, damaged by user error, nor to any unit which has been repaired or altered by unauthorized repair companies.
- Under no circumstances will the customer entitled warranty to consequential or incidental damages.
- This limited 1-year basic warranty will only grant customers certain legal rights; Customers may have other rights according to different state laws.

THANK YOU FOR SHOPPING WITH US!

If you have any questions, or need assistance with use, parts, or customer service.

Please contact: **SUPPORT@BLUU.COM**
Or text us messages at **(888) 363 - 2297**.

To help us identify your order, please include your Order #. Our professional team will be there to assist you.

Customer Service Team

bluu.com



Please scan the QR code
for more Bluu products.

