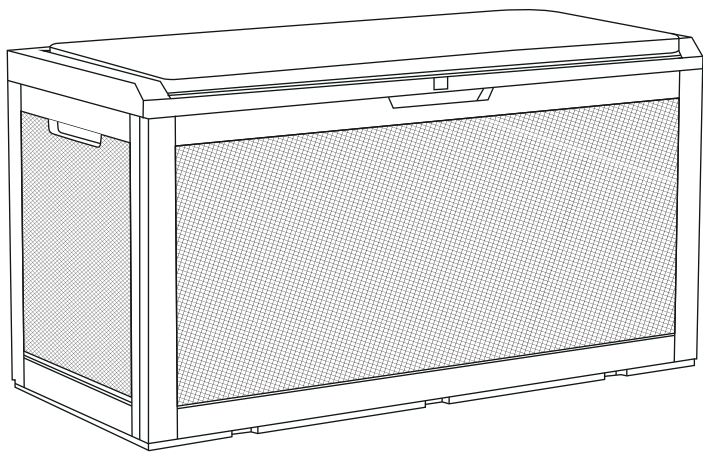


100 GALLON DECK BOX WITH CUSHION

ASSEMBLY INSTRUCTIONS



Instruction Manual

***THE DIAGRAM IS FOR REFERENCE ONLY**




IMPORTANT:






- READ CAREFULLY AND KEEP FOR FUTURE REFERENCE
- PLEASE CONTACT CUSTOMER SERVICE IF YOU HAVE ANY PROBLEMS OR DISCOVER ANY MISSING PARTS.

CARE & SAFETY

- To prevent risk of suffocation, do not allow children to play inside the box.
- Do not skip any step. It is of utmost importance to assemble all of the parts according to the directions.
- In case of fire, do not attempt to extinguish any burning polypropylene with water.
- Wear safety-goggles and always follow the manufacturer's instructions when using power tools.
- Using a stiff brush or abrasive cleaner could damage box.
- Hot items such as recently used grills, blowtorches, etc. must not be stored in the box.
- Unsuitable for storage of flammable or corrosive substances.
- Do not stand on lid.

ASSEMBLY PARTS

A FRONT		x1
B BACK		x1
C SIDE		x2

D BOTTOM		x1
E TOP		x1
F	 ST3.9 X 19mm	x8
G CUSHION		x1
H		x2

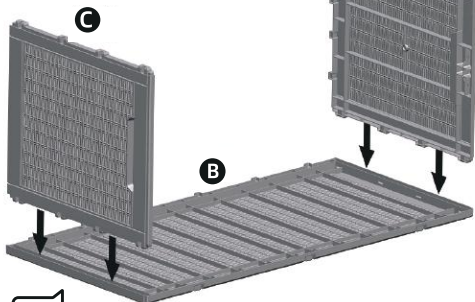
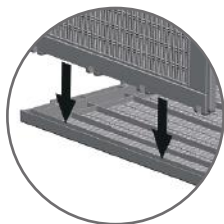
1



B 1 pc



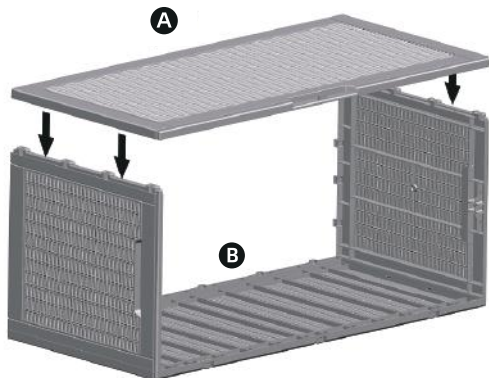
C 2 pcs

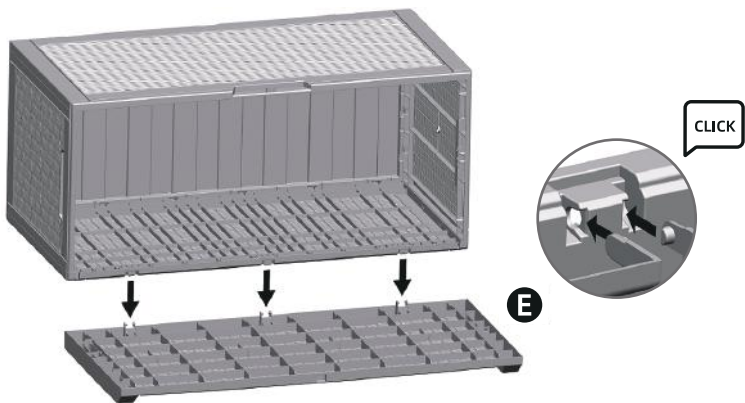
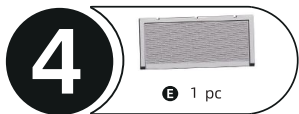
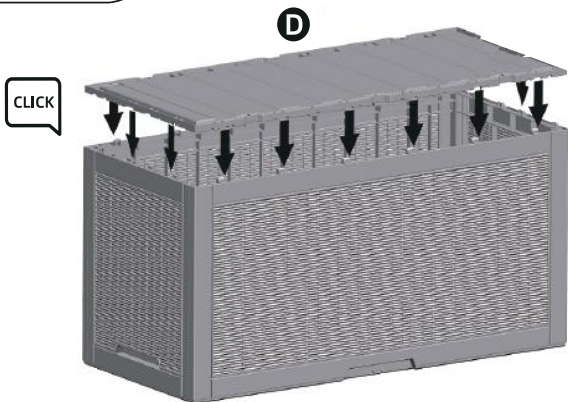


2



A 1 pc

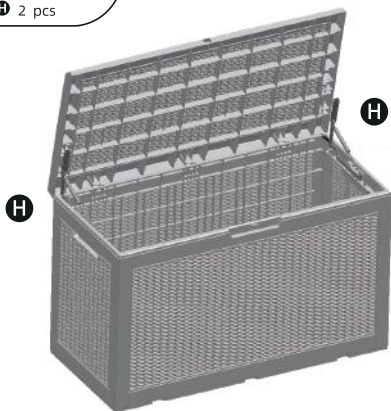
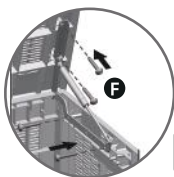




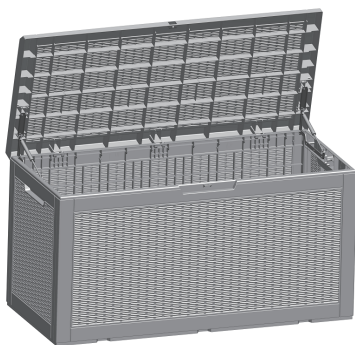
5

F 8 pcs

H 2 pcs



6 →

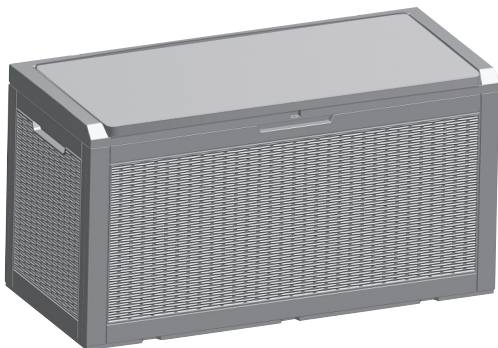


7



G 1 pc

Installation Completed



LIMITED 2-YEAR WARRANTY

The warranty is valid as of the date of purchase and a dated proof of purchase should be presented on request. Any product or part which fails due to structural defect or faulty workmanship, or which fails due to fading of color, for a 2-year period from the initial date of purchase.

This warranty does not include:

- Shelter that has been subjected to abuse, accident, alteration, modification, tampering, vandalism, negligence, misuse, abrasive contact, faulty installation, lack of reasonable care or if affixed to any attachment not provided with the shelter.
- Damage to the contents of shelter, any person or property is excluded.
- Normal and foreseeable wear and tear.
- Wear of fabric due to improper installation of cover & doors.
- Damage that occurs due to acts of nature, ie. hurricane, tornado, wind, flood, snow, wind driven debris, etc.
- Third party labor or installation fees of any kind are not recoverable under the warranty.
- Customer is responsible for all zoning issues and permits if required.
- Product not installed according to instructions provided.
- BLUU shall not be responsible for any damage caused by any reason whatsoever to goods stored in the Product.