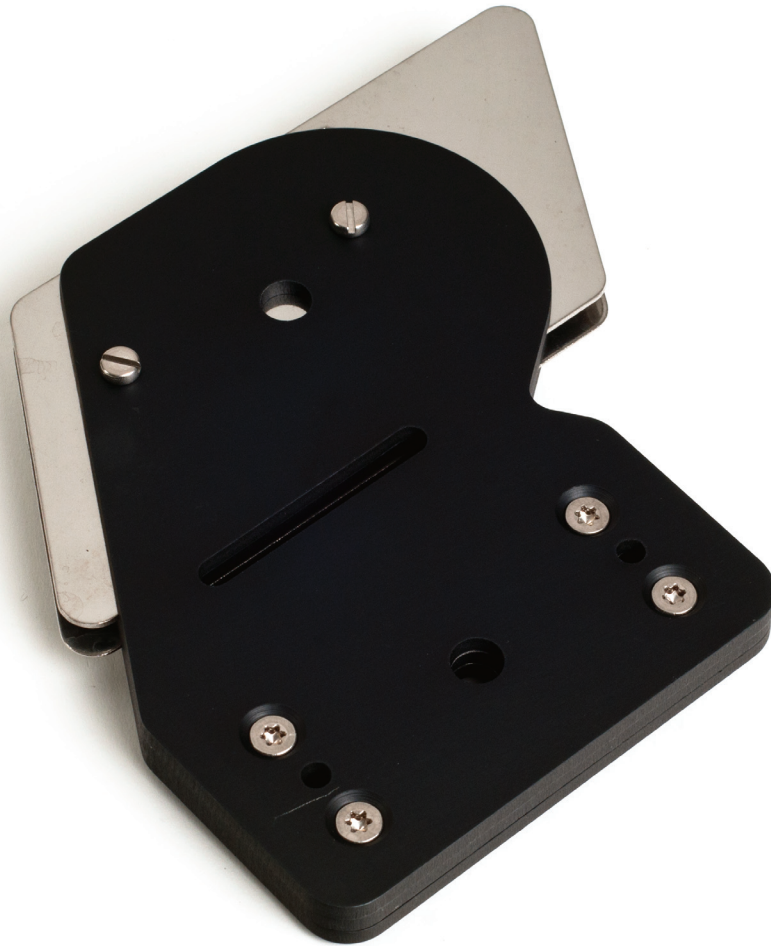
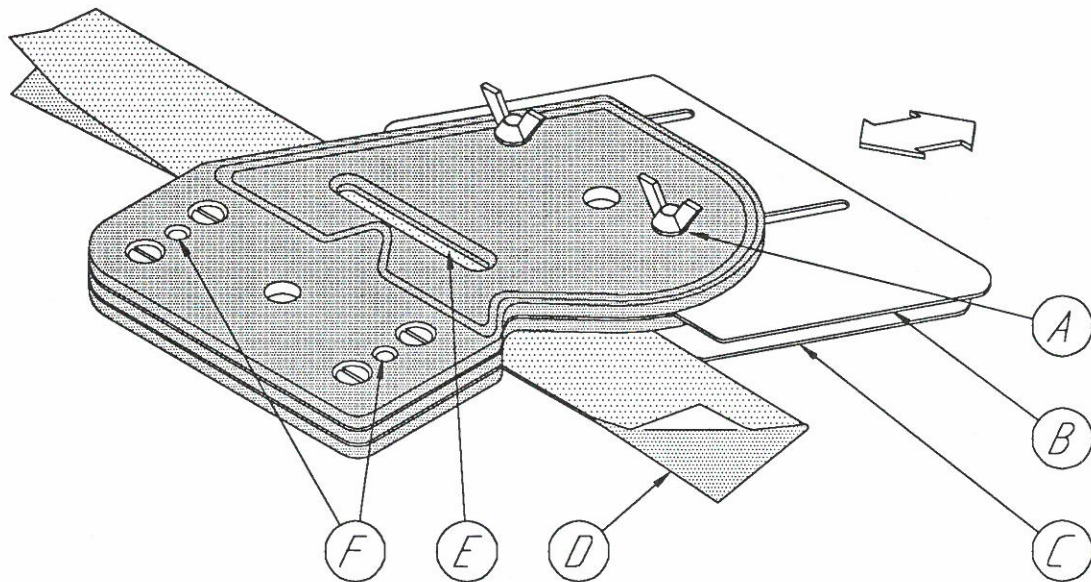


RUTGERSON



Rutgerson
tape folder
manual - English

How to use the Rutgerson Tape Folder 1650



The Rutgerson Tape Folder greatly increases efficiency for the time consuming operation of creasing tapes.

1. Loosen the two wing nuts (A). Push the two stainless plates (B) + (C) upwards.
2. Fold/crease half a metre of the tape (D) you want to fold, exactly in the middle.
3. Insert the folded/creased tape into one of the slots. Use the narrow slot for tapes lighter than 280 grams/sqm, and the wider slot for tapes heavier than 280 grams/sqm. The fold should point towards the stainless plate. (If necessary you can feed the tape with a scissor or spike through the slot (E)).
4. Push the stainless plate down against the folded tape. Tighten the wing nuts again.
5. Pull the tape straight through the tape folder.

A tip: It is a lot easier to do this if you place the folder in a vice or bolt on to a bench either vertically or horizontally, through the holes (F) to suit your need.