

advanced FLOW engineering

Magnum FORCE Stage-2 Air Intake System

Instruction Manual P/N: 54-13020D / 54-13020R

Make: **RAM** Model: **1500** Year: **19-20** Engine: **V8-5.7L HEMI**



- Please read the entire instruction manual before proceeding.
- Ensure all components listed are present.
- If you are missing any of the components, call customer support at 951-493-7100.
- Ensure you have all necessary tools before proceeding.
- Do not attempt to work on your vehicle when the engine is hot.
- Disconnect the negative battery terminal before proceeding.
- Retain factory parts for future use.

Label	Qty.	Description	Part Number
A1	1	Air Filter (Pro DRY S)	21-90108
A2	1	Air Filter (Pro 5R)	24-90108
B	1	Tube	05-5413020B1
C	1	Housing	05-5413020B2
D	1	Coupling, Silicone Bellow	05-01389
E	1	Grommet, Rubber	03-50167
F	1	Fitting, Air Temp Sensor	05-01454
G	1	Fitting, Vent Tube	05-01339
H	1	Seal, Trim: 7/16" (32" inches)	05-00072
I	2	Clamp, #056	03-50009

Tools required for installation:

20mm wrench or adjustable wrench, 8mm & 10mm nut drivers.

Note: Legal in California for use on race vehicles only. The use of this device on vehicles used on public streets or highways is strictly prohibited in California and others states that have adopted California emission regulations.

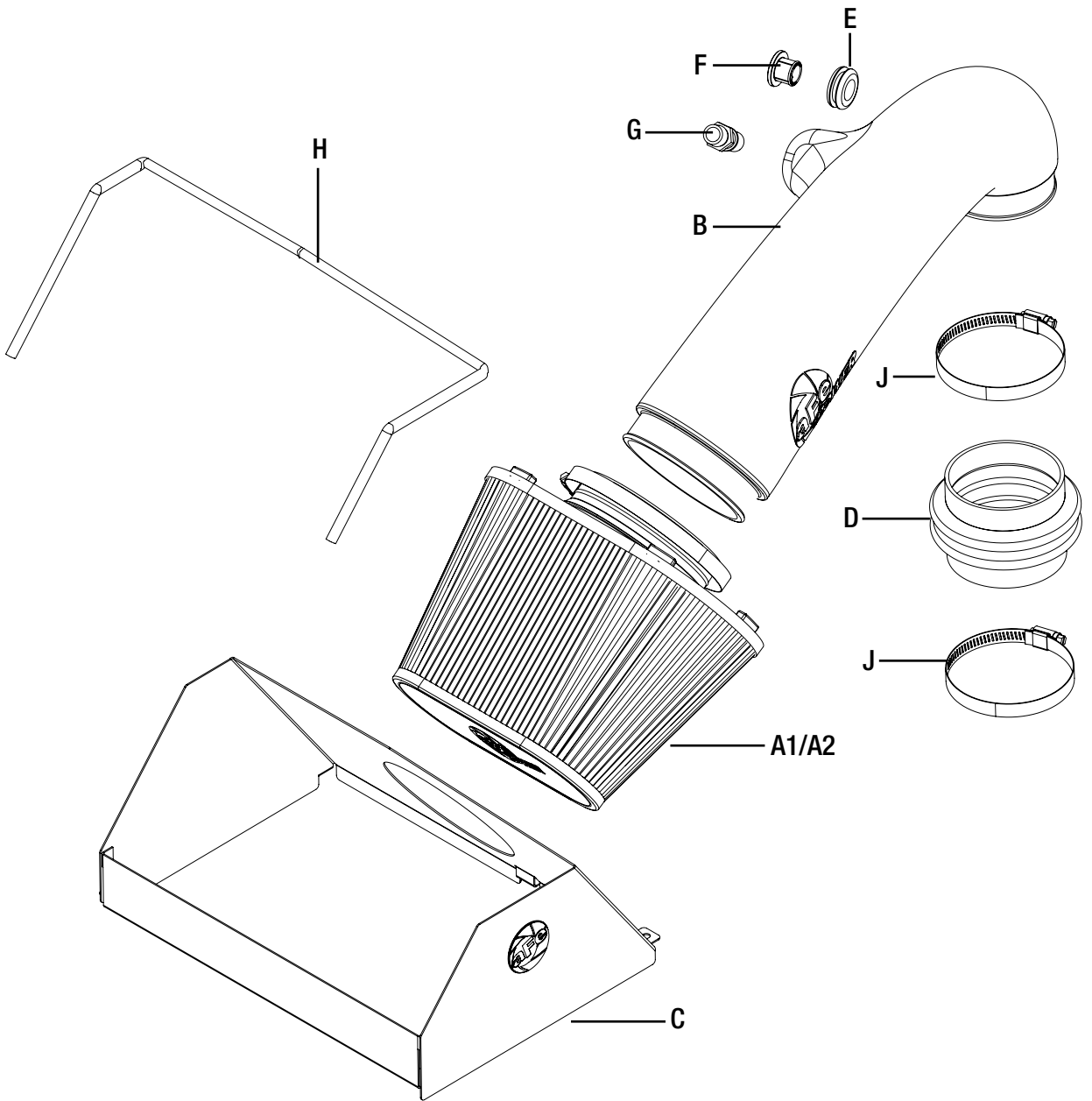




Figure A

Refer to Figure A for Step 1

Step 1: Remove the 6 screws ① holding the top portion of the airbox together using a 10mm nut driver. Set all screws aside for later use.

**Figure B****Refer to Figure B for Steps 2-3**

Step 2: Disconnect the Temperature Sensor harness ② from the factory intake.

Step 3: Push the release button on the crank case vent connector and pull up on the tube to remove the connector ③ from the fitting on the stock intake tube.

**Figure C****Refer to Figure C for Steps 4-5**

- Step 4: Loosen the clamp (4) holding the intake tube to the throttle body using an 8mm nut driver.
- Step 5: Remove the stock intake tube and top half of the housing out of the vehicle and remove the factory filter.



Figure D

Refer to Figure D for Step 6

Step 6: Install the seal trim (5) around the top edge of the aFe heat shield. (Trim where necessary)



Figure E

Refer to Figure E for Step 7

Step 7: Remove the filter clamp from the aFe filter and install the filter into the opening in the heat shield, locking the filter retention groove into place.

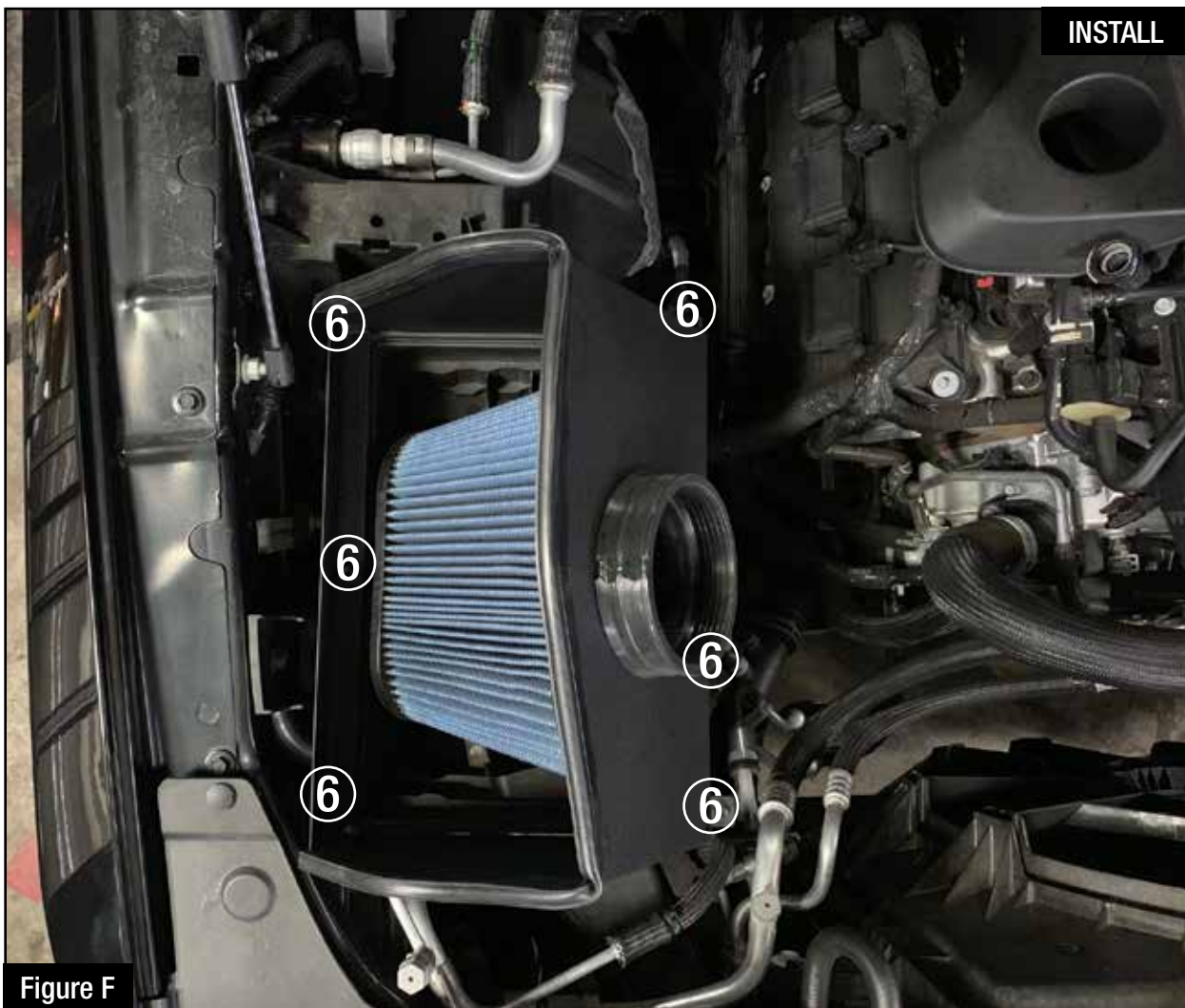


Figure F

Refer to Figure F for Steps 8-9

Step 8: Place the heat shield and filter on the bottom half of the stock airbox and make sure the mounting tabs line up.

Step 9: Use the 6 factory screws ⑥ removed in Step 1 to mount the heat shield down onto the airbox using a 10mm nut driver.



Refer to Figure G for Steps 10-11

Step 10: Install the supplied 3/8 NPT fitting (7) into the threaded insert on the aFe intake tube. Hand tighten using a 20mm wrench or adjustable wrench.

Step 11: Install the supplied grommet into your aFe intake tube and install the supplied temperature sensor fitting (8) into the grommet.

**Figure H****Refer to Figure H for Step 12**

Step 12: Carefully remove the temperature sensor out of the factory intake tube by turning $\frac{1}{4}$ turn and pulling out. Install the temperature sensor (9) into the aFe intake tube by pressing it into the fitting and turning $\frac{1}{4}$ turn to lock into place.



Figure I

Refer to Figure I for Step 13

Step 13: Install the bellows coupling and one of the #056 clamps ⑩ onto the throttle body of the vehicle and tighten the clamp at the throttle body using an 8mm nut driver.

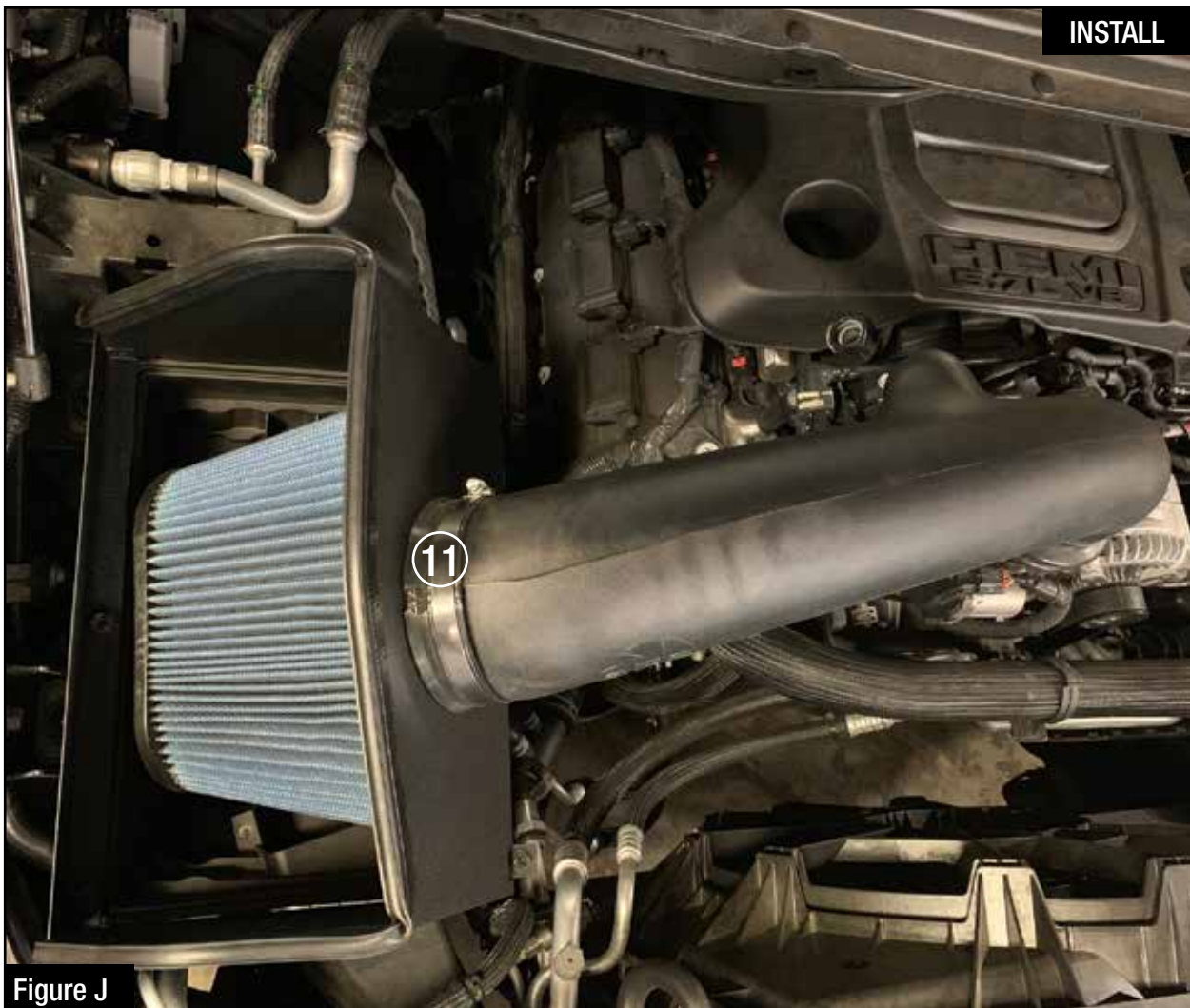


Figure J

Refer to Figure J for Step 14

Step 14: Install the aFe intake tube into the filter with the filter clamp ⑪.



Figure K

Refer to Figure I for Step 15

Step 15: Place the 2nd #056 clamp ⑫ onto the bellows coupling. Install intake tube to bellows coupling and tighten the clamps using an 8mm nut driver.



Figure L

Refer to Figure J for Steps 16-17

Step 16: Check that all clamps are snug, and all mounting screws are secure.

Step 17: Reconnect the temperature sensor wire harness ⑬ and crank case vent connector hose ⑭.
Your installation is now complete! Thank you for choosing aFe POWER!

NOTE: Check all bolts, clamps, and connectors after 100-200 miles.



Page left blank intentionally

Page left blank intentionally



Pro DRY S Air Filter



P/N: 21-90108

Pro 5R Air Filter



P/N: 24-90108

Pro-GUARD 7 Air Filter



P/N: 72-90108

Pro DRY S Restore Kit



P/N: 90-59999

Blue Squeeze Restore Kit



P/N: 90-50501

Gold Squeeze Restore Kit



P/N: 90-50500

Twisted Steel
Shorty Headers



P/N: 48-32023

Y-Pipe Exhaust



P/N: 48-42024-RC (Street)
48-42024-RN (Race)

Cat-Back Exhaust System



P/N: 49-42059-B (Blk Tips)
49-42059-P (Pol Tips)

To purchase any of the items above, view airflow charts, dyno graphs, photos, and video; please go to aFepower.com.

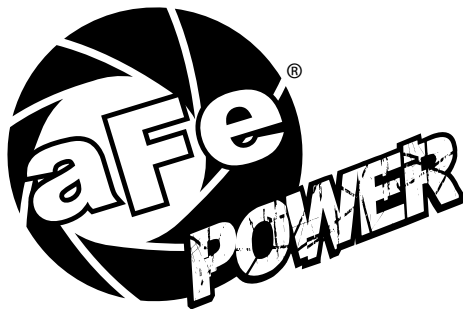
Warranty

General Terms:

- aFe warrants their products to be free from manufacturer's defects due to workmanship and material.
- This warranty applies only to the original purchaser of the product and is non-transferrable.
- Proof of purchase of the aFe product is required for all warranty claims.
- Warranty is valid provided aFe instructions for installation and/or cleaning were properly followed.
- Proper maintenance with regular inspections of product is required to insure warranty coverage.
- Damage due to improper installation, abuse, unauthorized repair or alteration is not warranted.
- Incidental or consequential damages or cost, including installation and removal of part, incurred due to failure of aFe product is not covered under this warranty.
- All warranty is limited to the repair and/or replacement of the aFe part. To request Return Goods Authorization ("RGA"), email RGA@afepower.com or call (951)493-7100. Upon receipt of the RGA, you must return the product to the address provided in the RGA, freight prepaid and accompanied with a dated proof of purchase and the RGA. Upon receipt of the defective product and upon verification of proof of purchase, aFe will either repair or replace the defective product within a reasonable time, not to exceed thirty days.

Product Category	P/N Prefix	Warranty duration
Direct OE Replacement Filters	10, 11, 30, 31, 71, 73	Life of the vehicle
Racing Filters	18	1 year
Universal	21, 23, 24, 72	2 years
Air Intake Systems	50, 51, 53, 54, 55, 75	2 years
Exhaust Systems	49	2 years
Intercoolers & Intercooler Tubes	46-2	2 years
Intake Manifolds	46-1	2 years
Differential Cover	46-7	Life of the vehicle
Exhaust Manifolds	46	2 years
Throttle Body Spacers	46-3	2 years
Fluid Filters	44	90 days
Pre-Filters	28	2 years
Heavy Duty OE Replacement	70	2 years
PowerSports OE Replacement	81, 87	2 years
PowerSports Intake Systems	85	2 years

No other warranty expressed or implied applies nor is any person or advanced FLOW engineering authorized to assume any other warranty. Some States do not allow the exclusion or limitation of incidental or consequential damages or do not allow limitations on how long an implied warranty lasts, so the above limitations or exclusions may not apply to you. This warranty gives you specific legal rights, and you may also have other rights which vary from State to State.



advanced FLOW engineering, inc.
252 Granite Street Corona, CA 92879
TEL: 951.493.7100 • TECH: 951.493.7134
E-Mail: Tech@aFepower.com