

advanced FLOW engineering

Magnum FORCE Stage-2 Cold Air Intake System

Instruction Manual P/N: 51-32332 / 54-32332

Make: GM	Model: Silverado/Sierra 1500	Year: 2014-2019	Engine: V8-5.3L / 6.2L
Make: GM	Model: Tahoe/Yukon	Year: 2015-2019	Engine: V8-5.3L
Make: GM	Model: Yukon Denali	Year: 2015-2019	Engine: V8-6.2L
Make: GM	Model: Suburban/Yukon XL	Year: 2015-2019	Engine: V8-5.3L / 6.2L
Make: GM	Model: Yukon XL Denali	Year: 2015-2019	Engine: V8-6.2L
Make: Cadillac	Model: Escalade/ESV	Year: 2015-2019	Engine: V8-6.2L

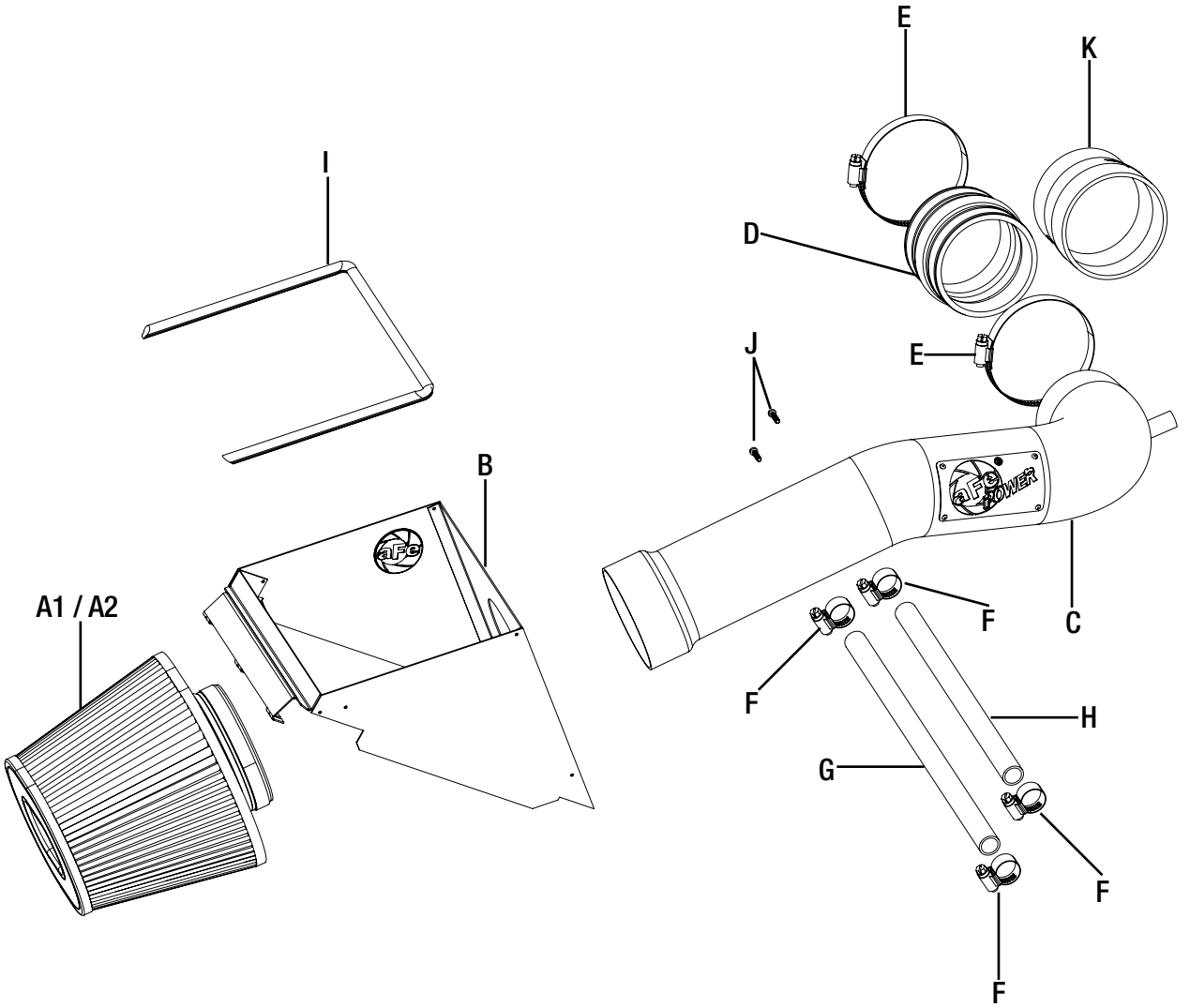
NOTE: CARB E.O. D-550-33 only covers:

2014-2016 Silverado/Sierra 1500 V8-5.3L (Flex-Fuel Engine GGMXT05.3382 excluded from V8-5.3L),
2015-2016 Tahoe/Suburban/Yukon/Yukon XL V8-5.3L (Flex-Fuel Engine GGMXT05.3382 Hybrid excluded)



- Please read the entire instruction manual before proceeding.
- Ensure all components listed are present.
- If you are missing any of the components, call customer support at 951-493-7185.
- Ensure you have all necessary tools before proceeding.
- Do not attempt to work on your vehicle when the engine is hot.
- Disconnect the negative battery terminal before proceeding.
- Retain factory parts for future use.

Label	Qty.	Description	Part Number
A1	1	Pro DRY S Air Filter	21-91065 (Pro DRY S Media)
A2	1	Pro 5R Air Filter	24-91065 (Pro 5R Media)
B	1	Housing	05-32332B2
C	1	Tube	05-32332B1
D	1	Coupling, Hump Silicone	05-01264
E	2	Clamp #060	03-50002
F	4	Clamp Mini	03-50078
G	1	Hose, 5/8" (15" in.)	05-00069
H	1	Hose, 5/8" (12" in.)	05-00069
I	1	Seal Trim 7/16" (24" in.)	05-00072
J	2	Screws, M4 x .7 x 8mm	03-50491
K	1	Coupling, Reducer	05-01203



**Figure A****Refer to Figure A for Steps 1-3**

Step 1: Disconnect the MAF sensor plug from stock intake tube ① .

Step 2: Loosen clamp from factory air box housing and OE Intake tube ② .

Step 3: Loosen clamp from throttle body ③ .



Refer to Figure B for Step 4

Step 4: Disconnect the MAF sensor harness clip from the factory air box.



REMOVAL



Refer to Figure C for Steps 5-6

Step 5: Disconnect the factory crank case breathers from the valve covers (as shown) on both sides of the engine.

Step 6: Carefully remove the entire intake tube plenum with the crank case breather plugs attached.

**Figure D****Refer to Figure D for Steps 7-8**

- Step 7: Remove the top portion of the factory intake housing by removing the 4 factory screws (4). Retain for later use.
- Step 8: Remove the factory filter from the intake housing.

INSTALL

REMOVAL



Figure F



Figure E

Refer to Figure E for Steps 9-10

Step 9: Remove the MAF sensor from the factory housing (Figure E).

Step 10: Install MAF sensor from the factory housing into the aFe intake tube using the provided screws (Figure F).



Figure F

Refer to Figure F for Steps 11-12

Step 11: Install the seal trim on the edge of the top corners of the aFe housing.

Step 12: Install aFe filter into housing along with clamp. Make sure it is secured in the filter retention groove that is molded into the filter neck.



Figure G

Refer to Figure G for Step 13

Step 13: Install the aFe housing by inserting 3 tabs into the stock box (5). Bring down until spring clip snaps into place.



Figure H

Refer to Figure H for Steps 14-15

Step 14: Install the coupler onto the throttle body with provided clamps (6). Use the hump coupling for V8-5.3L models or the reducer coupling for V8-6.2L models.

Step 15: Install aFe intake tube onto the filter, then onto the throttle body coupler.

**Figure I****Refer to Figure I for Steps 16-18**

Step 16: Install the crank case breathers onto both the passenger side and drivers side valve cover and attach it to the aFe intake tube with the mini clamps and hose provided (7).

Step 17: Reconnect MAF sensor harness (8).

Step 18: Make sure all clamps and connections are secure. Your installation is now complete. Thank you for choosing aFe Power!

NOTE: Place enclosed CARB EO sticker on or near the device on a smooth, clean surface. EO identification label is required to pass the smog inspection.



Pro DRY S Air Filter



P/N: 21-91065

Pro 5R Air Filter



P/N: 24-91065

Pro DRY S Restore Kit



P/N: 90-59999

Blue Squeeze Restore Kit



P/N: 90-50501

Side Exit Exhaust System



P/N: 49-44062-B (Blk Tips)
49-44062-P (Pol Tips)

Cat-Back Exhaust System



P/N: 49-44071-B (Blk Tips)
49-44071-P (Pol Tips)

Throttle Body Spacer



P/N: 46-34008

Twisted Steel Headers



P/N: 48-44005-YC (Street)
48-44005-YN (Race)

To purchase any of the items above, view airflow charts, dyno graphs, photos, and video; please go to aFepower.com.

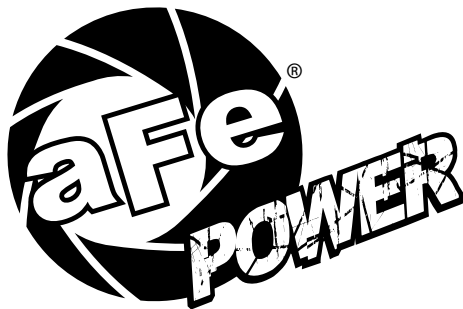
Warranty

General Terms:

- aFe warrants their products to be free from manufacturer's defects due to workmanship and material.
- This warranty applies only to the original purchaser of the product and is non-transferrable.
- Proof of purchase of the aFe product is required for all warranty claims.
- Warranty is valid provided aFe instructions for installation and/or cleaning were properly followed.
- Proper maintenance with regular inspections of product is required to insure warranty coverage.
- Damage due to improper installation, abuse, unauthorized repair or alteration is not warranted.
- Incidental or consequential damages or cost, including installation and removal of part, incurred due to failure of aFe product is not covered under this warranty.
- All warranty is limited to the repair and/or replacement of the aFe part. To request Return Goods Authorization ("RGA"), email RGA@afepower.com or call (951)493-7100. Upon receipt of the RGA, you must return the product to the address provided in the RGA, freight prepaid and accompanied with a dated proof of purchase and the RGA. Upon receipt of the defective product and upon verification of proof of purchase, aFe will either repair or replace the defective product within a reasonable time, not to exceed thirty days.

Product Category	P/N Prefix	Warranty duration
Direct OE Replacement Filters	10, 11, 30, 31, 71, 73	Life of the vehicle
Racing Filters	18	1 year
Universal	21, 24, 72	2 years
Air Intake Systems	50, 51, 54, 55, 75	2 years
Exhaust Systems	49	2 years
Intercoolers & Intercooler Tubes	46-2	2 years
Intake Manifolds	46-1	2 years
Differential Cover	46-7	Life of the vehicle
Exhaust Manifolds	46	2 years
Throttle Body Spacers	46-3	2 years
Fluid Filters	44	90 days
Pre-Filters	28	2 years
Heavy Duty OE Replacement	70	2 years
PowerSports OE Replacement	81, 87	2 years
PowerSports Intake Systems	85	2 years

No other warranty expressed or implied applies nor is any person or advanced FLOW engineering authorized to assume any other warranty. Some States do not allow the exclusion or limitation of incidental or consequential damages or do not allow limitations on how long an implied warranty lasts, so the above limitations or exclusions may not apply to you. This warranty gives you specific legal rights, and you may also have other rights which vary from State to State.



advanced FLOW engineering, inc.
252 Granite Street Corona, CA 92879
TEL: 951.493.7155 • TECH: 951.493.7185
E-Mail: Tech@aFepower.com