



# TRTL0596 (RGB)

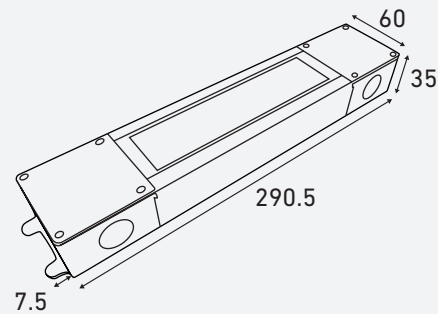
These drivers are IP65 rated and are suitable for both indoor and outdoor installations. With universal input voltage ranging from 120 to 277VAC, the SoliDrive series of drivers are designed for commercial, industrial and residential applications. Our 0-10V dimming delivers smooth flicker-free linear dimming down to 1% with most LED's and a wide variety of compatible dimmers.

## FEATURES

- UL Listed Enclosure – With Built-In Junction Boxes
- Universal Input Voltage
- 0-10V Dimmable - Flicker Free Down to 1%
- Ripple Free
- IP65 – For Both Indoor and Outdoor Use
- No Minimum Load Requirement
- UL 8750 Approved
- Auto-Reset Protection for Short Circuit & Over-Temperature
- Over Load Protection – CC Mode

## DIMENSIONS

### DIMENSIONS (in MM)



## SPECIFICATIONS

- Max Output Power: 96W
- Input Voltage: 120-277V AC
- Input Current at Max Load: 0.96 A
- Output Voltage: 24V DC
- Output Current at Max Load: 4100mA
- Power Factor: 0.95
- Efficiency: > 87%
- Dimensions L\*W\*H: 11.4 x 2.36 x 1.4"
- Weight: 30.95 oz

## COMPATIBLE DIMMERS

Lutron Nova Dimmer  
NTFTV

Lutron Diva  
DVTV  
NFTV

Leviton  
illumatech - IP7

Watt Stopper  
DCLV1

Lightolier Controls  
ZP600FAM120

Phillips  
Sunrise -  
SR1200ZTUNV