

THERMAL TYPE PHOTOCCELL

FOR TRANSFORMER PRO



MODEL NO.

TRFPC01-----

SPECIFICATION

Voltage: 120V AC
Frequency: 50-60Hz
Max Loading: 300W
Power Consumption: 1.5W Max
Relative Humidity: 96%
Operating Temp: -40° to 70°C
Turn-ON light level: 10-16 Lux
Turn-OFF light level: <65 Lux
Action Time: 30-180 secs
Sensor Type: CDS
Electrical Life: >5000 cycles
Failure Mode: Fail On
Lead Wire: AWG#16, AWM3321, 150mm

FEATURES

- UV Stabilized Impact Resistant Polycarbonate Housing
- Energy Consumption less than 1 watt (120V,0.7W)
- Operating temperature: -40°C to +70°C
- Wet location

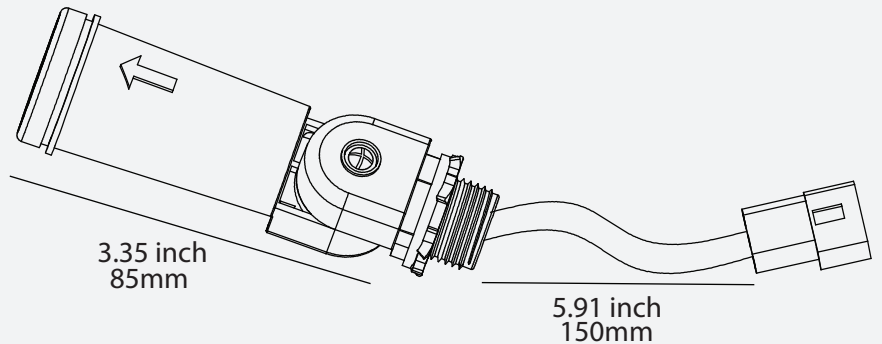
APPLICATIONS

- Used with low voltage transformers.

CERTIFICATE:



DIMENSIONS



COMPATIBLE ACCESSORIES

- TF106---75 - 75W TRANSFORMER PRO
- TF106---150 - 150W TRANSFORMER PRO
- TF106---300 - 300W TRANSFORMER PRO