

TRANSFORMER 88W

LOW VOLTAGE LANDSCAPE



MODEL NO.

TRF100088----C

SPECIFICATION

Input Voltage: 120V AC

Frequency (Hz): 60Hz

Power: 88W

Output Voltage IN: 12V AC \pm 5%

FEATURES

- Weatherproof
- Integrated Photocell Sensor
- Timer Options: 4-6-8 Hours
- ON/OFF Switch
- Set and forget usage
- The power will automatically turn on after dark and shut off during the day
- Suitable for use with supersible fixtures

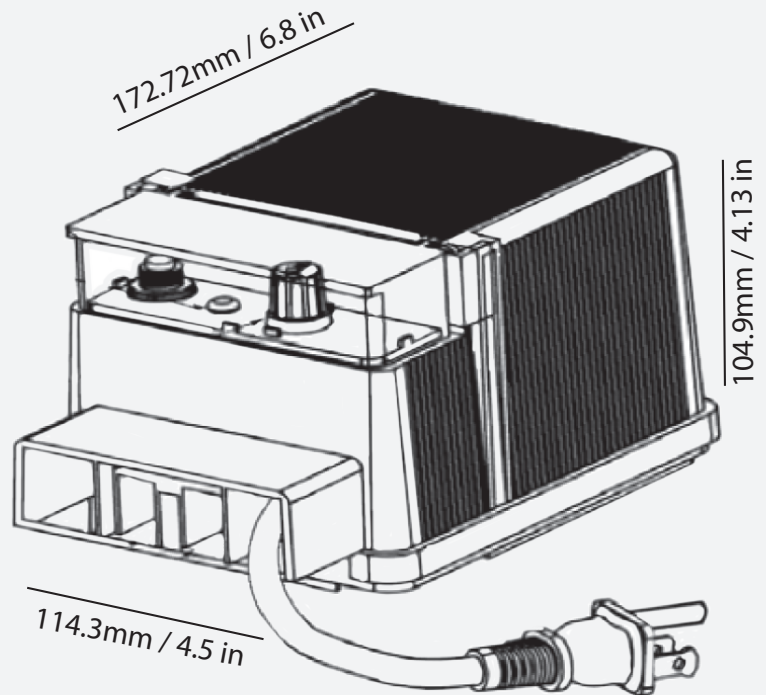
APPLICATIONS

- To be used with low voltage landscape fixtures

CERTIFICATE:



DIMENSIONS



COMPATIBLE ACCESSORIES

- Compatible with low voltage landscape fixtures