

T5 UNDERCABINETS



MODEL NO.

T5101013CTWH

SPECIFICATION

Base: T5
Finish: Frost
LED: 36
Actual Dimensions: 11.29" [1 ft 11 1/4"]
Voltage In: 120V AC
Power: 4W
Lumens: 529-538lm
Colour Rendering Index: >80
3CCT: 2700K/4000K/6000K
Lifespan: 50000 Hours
Dimmable: Yes
Chip: SMD3014
LED Manufacturer: LUMENMAX

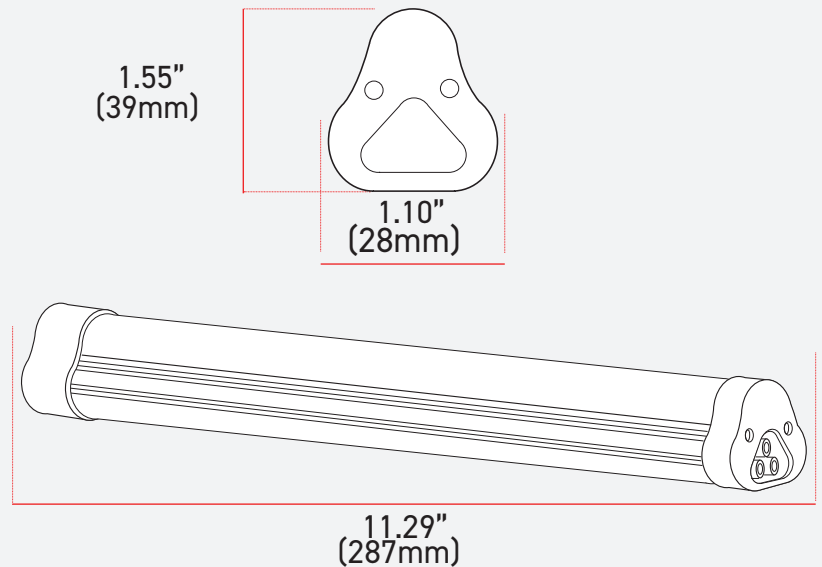
FEATURES

- Silent Operation
- No Flicker
- Instant On
- Save on Labour costs
- Single Side Power Input
- Visually indicated Non-conductive Dummy input
- Substantial Energy Savings
- Environmentally Friendly
- No UV or radiation
- Integrated driver
- Extensive Range of Applications
- Operating Temperature: -20°C - 45°C
- Environmental Humidity: 10% - 90%

CERTIFICATE:



DIMENSIONS



ACCESSORIES

Hardwire Box

- CN2011---C: With Switch
- CN3011---C: Without Switch

Female- Male Link Connector

- CN5011---W-C

Female - Male Connector

- CN1014---C: 6"Interlinkable wire
- CN1024---C: 12"Interlinkable wire
- CN1034---C: 24"Interlinkable wire
- CN1044---C: 36"Interlinkable wire
- CN1214---C: 72"Interlinkable wire

Female-Plug Connector

- CN1064---C: 14"Interlinkable wire
- CN1074---C: 24"Interlinkable wire
- CN1084---C: 36"Interlinkable wire
- CN1244---C: 72"Interlinkable wire

Female-3 Wire Connector

- CN1114---C: 14"Interlinkable wire
- CN1124---C: 24"Interlinkable wire
- CN1134---C: 36"Interlinkable wire
- CN1144---C: 48"Interlinkable wire