

BOLLARD

LOW VOLTAGE LANDSCAPE



MODEL NO.

SS140120--WWC
SS140120--CWC

SPECIFICATION

Voltage: 12V AC/DC
Lumens: 360
Power: 6W
IP Rating: IP65
Integrated LED: Yes
Dimensions: 14.6 inches (Height)
2.76 inches (Width)
0.59 inches (Baseplate)
Dimmable: No
Lifespan: 25,000 hrs
Material: Aluminum housing
Lens: Frosted plastic
Environmental Operating Temp: -20°C to 45°C

FEATURES

- Detachable spike with knockout included
- Waterproof connectors included

APPLICATIONS

- Walkways, pathlights, gardens, terraces and borders

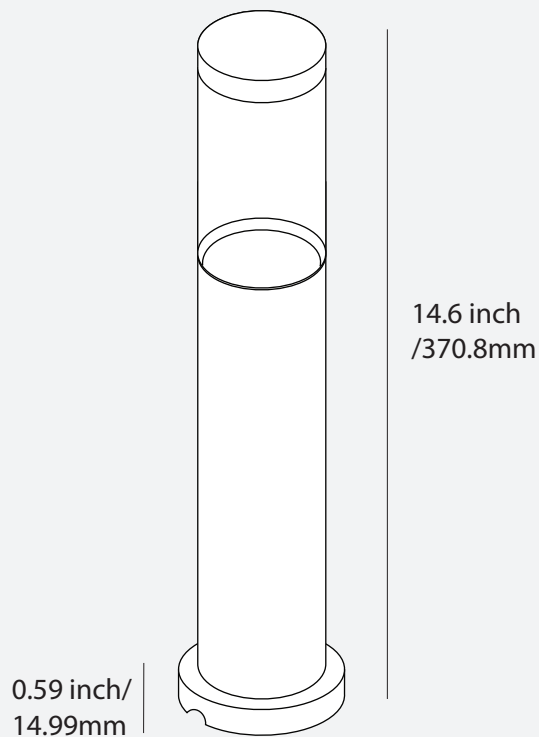
CERTIFICATE:



DIMENSIONS

- Warm White (2700K)
- Cold White (6000K)

Ø 2.76 inch/70mm



COMPATIBLE ACCESSORIES

- TRF100088-C - 88W LOW VOLTAGE TRANSFORMER
- TRF101120-C - 120W LOW VOLTAGE TRANSFORMER
- TRF102300-C - 300W LOW VOLTAGE TRANSFORMER
- TF106---75 - 75W TRANSFORMER PRO
- TF106---150 - 150W TRANSFORMER PRO
- TF106---300 - 300W TRANSFORMER PRO