

HONEYCOMB 3CCT

LOW VOLTAGE LANDSCAPE



MODEL NO.

SS12813--3CCT

SPECIFICATION

Voltage: 12V AC/DC
Lumens: 145
Power: 3W
IP Rating: IP66
Integrated LED: Yes
CRI: >80
Beam Angle: 120°
Dimensions: 1.65" (42mm), 3 inches (78mm)
Dimmable: No
Lifespan: 20,000 hrs
Material: Polycarbonate Shell with Stainless Steel 304 Ring
Cut Hole: 2 3/8 inches (142.24mm)
Environmental Operating Temp: -20°C to 45°C

FEATURES

- Capable of voltage drop from 7VAC to 14VAC
- Waterproof connectors included
- Drive over safe
- Colour changeable switch

APPLICATIONS

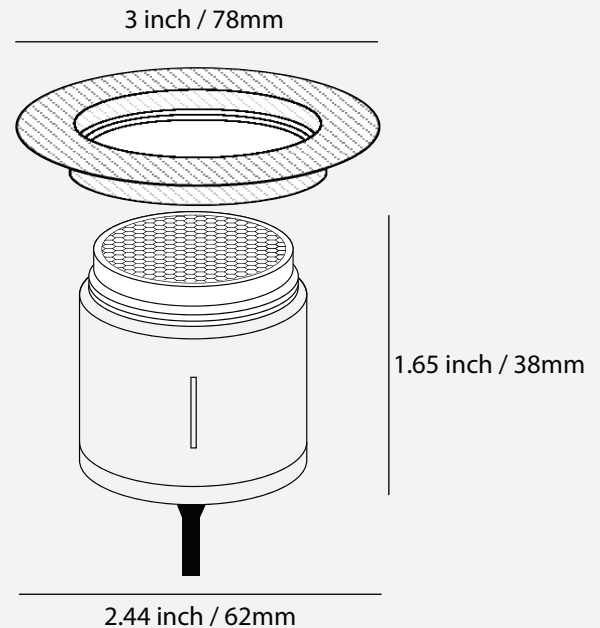
- Used for driveways, stairs and paths

CERTIFICATE:



DIMENSIONS

□ 3CCT (2700K,4000K,6000K)



COMPATIBLE ACCESSORIES

TRF100088-C - 88W LOW VOLTAGE TRANSFORMER
TRF101120-C - 120W LOW VOLTAGE TRANSFORMER
TRF102300-C - 300W LOW VOLTAGE TRANSFORMER

TF106---75 - 75W TRANSFORMER PRO
TF106---150 - 150W TRANSFORMER PRO
TF106---300 - 300W TRANSFORMER PRO

AC10501 - Concrete Sleeve

Beveled Rings
ACC110---BC
ACC110---WC
ACC110---BRC
ACC110---BWC
ACC110---CPC
ACC110---SSC