

# HONEYCOMB 3CCT

## LOW VOLTAGE LANDSCAPE



### MODEL NO.

SS12813--3CCT

### SPECIFICATION

Voltage: 12V AC/DC  
Lumens: 145  
Power: 3W  
IP Rating: IP66  
Integrated LED: Yes  
CRI: >80  
Beam Angle: 120°  
Dimensions: 1.65" (42mm), 3 inches (78mm)  
Dimmable: No  
Lifespan: 20,000 hrs  
Material: Polycarbonate Shell with Stainless Steel 304 Ring  
Cut Hole: 2 3/8 inches (142.24mm)  
Environmental Operating Temp: -20°C to 45°C

### FEATURES

- Capable of voltage drop from 7VAC to 14VAC
- Waterproof connectors included
- Drive over safe
- Colour changeable switch

### APPLICATIONS

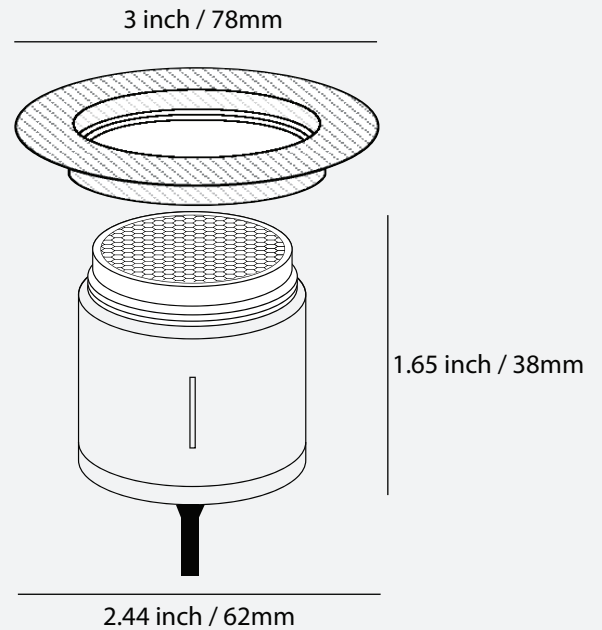
- Used for driveways, stairs and paths

### CERTIFICATE:



### DIMENSIONS

□ 3CCT (2700K,4000K,6000K)



### COMPATIBLE ACCESSORIES

TRF100088-C - 88W LOW VOLTAGE TRANSFORMER  
TRF101120-C - 120W LOW VOLTAGE TRANSFORMER  
TRF102300-C - 300W LOW VOLTAGE TRANSFORMER

TF106---75 - 75W TRANSFORMER PRO  
TF106---150 - 150W TRANSFORMER PRO  
TF106---300 - 300W TRANSFORMER PRO

AC10501 - Concrete Sleeve

Beveled Rings

ACC110---BC  
ACC110---WC  
ACC110---BRC  
ACC110---BWC  
ACC110---CPC  
ACC110---SSC