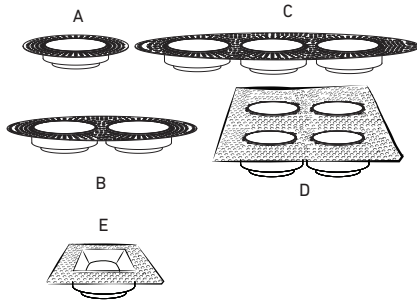


PACKAGE CONTENTS



SPECIFICATIONS

#	CUT SIZE	SPECIFICATION
A	100mm	round trimless fixture
B	210*110	double trimless fixture
C	310*110	triple trimless fixture
D	210*210	quadruple trimless fixture
E	100*100	square trimless fixture, sand white

SPECIFICATIONS

Model:

ROUND TRIMLESS WITH SPRING CLIPS

TN11440---WH
TN11440---BK
TN21340---WH
TN31340---WH
TN41340---WH

SQUARE TRIMLESS WITH SPRING CLIPS

TN11540---WH

SAFETY PRECAUTIONS

IMPORTANT SAFETY INSTRUCTIONS :
READ ALL INSTRUCTIONS BEFORE INSTALLATION
AND RETAIN FOR FUTURE REFERENCES

⚠ DANGER : RISK OF SHOCK AND FIRE
DISCONNECT POWER BEFORE INSTALLATION.

CAUTION: TO AVOID POSSIBLE ELECTRICAL SHOCK, BE SURE THAT POWER SUPPLY IS TURNED OFF AT FUSE BOX OR CIRCUIT BREAKER BEFORE INSTALLING OR SERVICING FIXTURE. FOR YOUR SAFETY READ AND UNDERSTAND INSTRUCTION COMPLETELY BEFORE INSTALLATION.

SUPPLY CONDUCTS (POWER WIRES) CONNECTING THE FIXTURE MUST BE RATED MINIMUM 90°C. IF UNCERTAIN, PLEASE CONSULT AN ELECTRICIAN.

TO PREVENT WIRE DAMAGE OR ABRASION, DO NOT EXPOSE WIRING TO EDGES OF SHEET METAL OR OTHER SHARP OBJECTS.

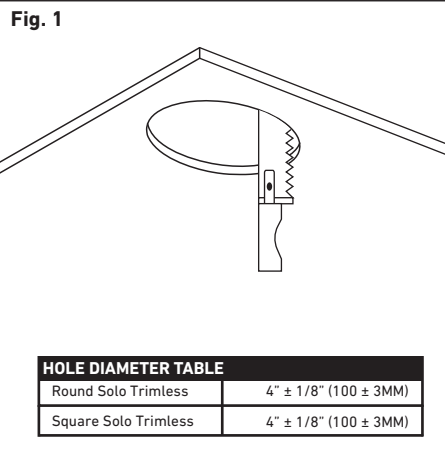
DO NOT CONCEAL OR EXTEND EXPOSED CONDUCTORS THROUGH A BUILDING WALL.

DO NOT MAKE OR ALTER ANY OPEN HOLES IN AN ENCLOSURE OF WIRING OR ELECTRICAL COMPONENTS DURING KIT INSTALLATION. THIS DEVICE IS NOT INTENDED FOR USE WITH EMERGENCY EXITS.

TO REDUCE THE RISK OF FIRE AND OVERHEATING, DO NOT INSTALL THIS LIGHTING SYSTEM WHERE THE EXPOSED BARE CONDUCTORS CAN CONTACT ANY CONDUCTIVE MATERIALS AND ALSO MAKE SURE ALL CONNECTIONS ARE TIGHT.

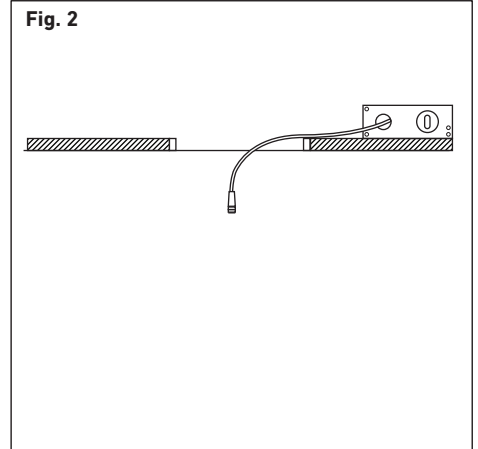
TURN OFF ELECTRICAL POWER BEFORE MODIFYING THE LIGHTING SYSTEM IN ANY WAY. SUITABLE FOR DAMP LOCATIONS.

INSTALLATION INSTRUCTIONS

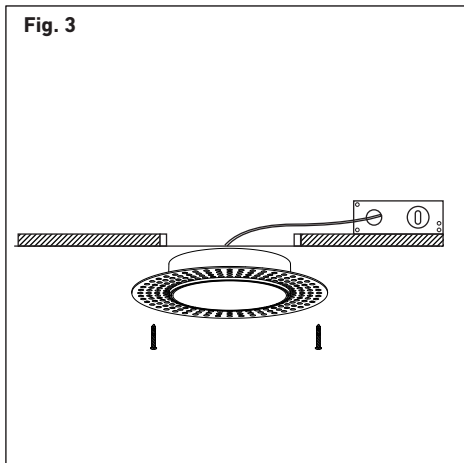


1) Saw the cut-out according to trim dimensions per the following pictures: 1

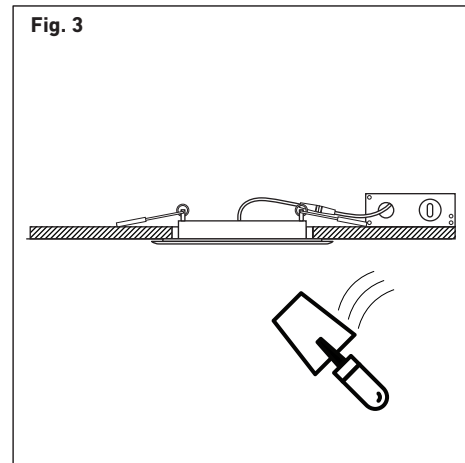
For multiple trim cut sizes please refer to the specification section above.



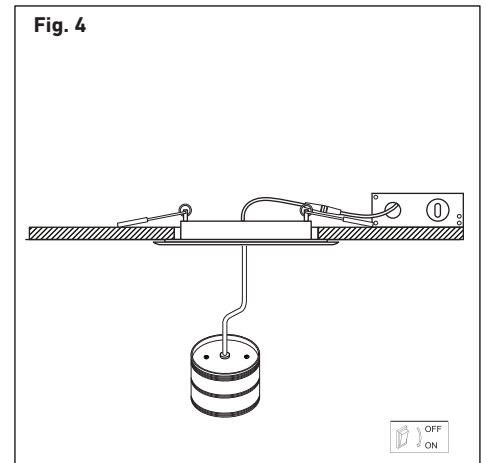
2) Place the driver inside the ceiling at an appropriate distance to the trim cut.



3) Screw the trimless trims to the ceiling via appropriate screws.



4) Plaster the trims to the ceilingscrews.



5) Plug the NextGen lamp to the driver socket and install it in the trim via the clips.