

NEXTGEN 20



MODEL NO.

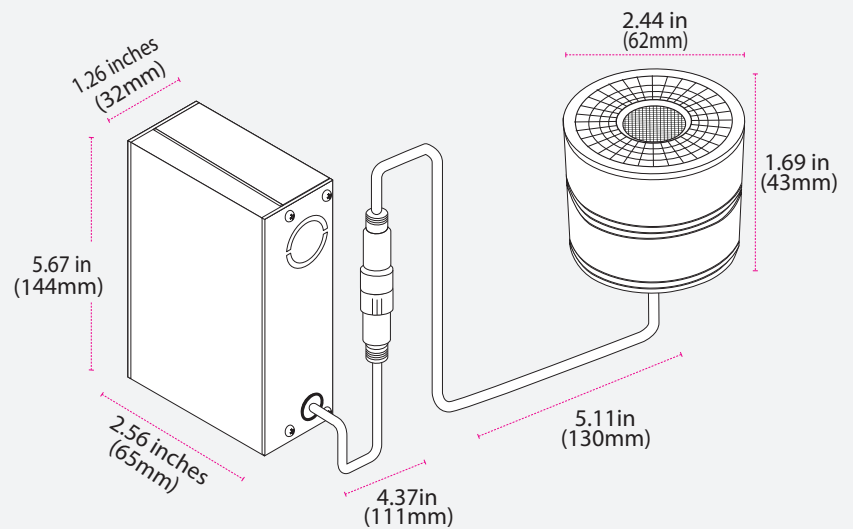
NG---413CT
NG---335CT (90CRI | 5CCT)

SPECIFICATION

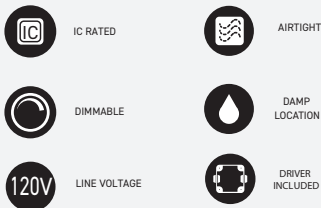
Voltage IN (Module): 35-50V DC
Voltage IN (Driver): 120V AC
Power: 15W
Lumens: 1200lm
CRI: >80 | >90
Dimmable: Yes
3CCT: 3000K/4000K/5000K
5CCT: 2700K/3000K/3500K/4000K/5000K
Lifespan: 25,000
Beam Angle: 40°
NG Size: 50 x 38mm
Driver Size: 80 x 60 x 37mm

*All LUMINIZ NEXTGEN20 LAMPS is to be used with NEXTGEN DRIVER ONLY

DIMENSIONS



FEATURES



CERTIFICATE:

