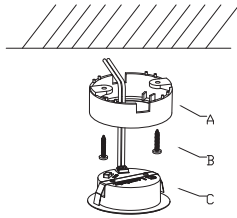


## PACKAGE CONTENTS



#	CAT	SPECIFICATION
A	RING SOCKET	2.79" X 1.0" (71 X 26MM)
B	SCREW	ST3.5 X 0.78"(20MM)
C	CABINET LIGHT	12V AC 3.5W
D	CCT DIP SWITCH	3CCT

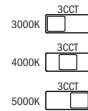
## SPECIFICATIONS

**MODEL:** PK103--3CTWH (White Trim)  
PK103--3CTBK (Black Trim)  
PK103--3CTNK (Brushed Nickel Trim)

PK104--3CTWH (White Trim)  
PK104--3CTBK (Black Trim)  
PK104--3CTNK (Brushed Nickel Trim)

**Power:** 3.5W  
**Luminance:** 220lm  
**Voltage IN:** 12V AC  
**PF:** ≥0.9  
**CRI:** >80  
**CCT:** 3000K-4000K-5000K  
**Lifespan:** 25000 hours  
**Beam Angle:** 100°

### CCT dip switch:



Color temperature can be set by CCT dip switch on the back cover (3000K / 4000K / 5000K) :

1. Adjust toggle to select the preferred color temperature. The initial setting is 4000K.
2. Install the fitting according to instruction above.

### Please note:

Remove product from power source before attempting to switch between color temperature.

## FEATURES



MULTI LINK



DAMP LOCATION



DIMMABLE



PATENT



LOW VOLTAGE



3000K  
4000K  
5000K

## SAFETY PRECAUTIONS

### IMPORTANT SAFETY INSTRUCTIONS : READ ALL INSTRUCTIONS BEFORE INSTALLATION AND RETAIN FOR FUTURE REFERENCES

#### DANGER : RISK OF SHOCK

DISCONNECT POWER BEFORE INSTALLATION.

**RISK OF FIRE OR ELECTRIC SHOCK:** THE ELECTRICAL RATING OF THESE PRODUCTS ARE 12V AC.

**WARNING:** TO PREVENT WIRING DAMAGE OR ABRASION, DO NOT EXPOSE WIRING TO EDGES OF SHEET METAL OR OTHER SHARP OBJECTS. DO NOT MAKE OR ALTER ANY OPEN HOLES IN AN ENCLOSURE OF WIRING OR ELECTRICAL COMPONENTS DURING KIT INSTALLATION.

THIS DEVICE IS NOT INTENDED FOR USE WITH EMERGENCY EXITS.

SUPPLY CONDUCTORS (POWER WIRES) CONNECTING THE FIXTURE MUST BE RATED MINIMUM 90° C. IF UNCERTAIN, PLEASE CONSULT AN ELECTRICIAN. DANGER-RISK OF SHOCK-DISCONNECT POWER BEFORE INSTALLATION.

**CAUTION:** TO REDUCE RISK OF FIRE OR ELECTRIC SHOCK, DO NOT STRIP WIRES. CUT WIRES OFF CLEANLY.

THIS DEVICE SUITABLE FOR DAMP LOCATION\*\*.

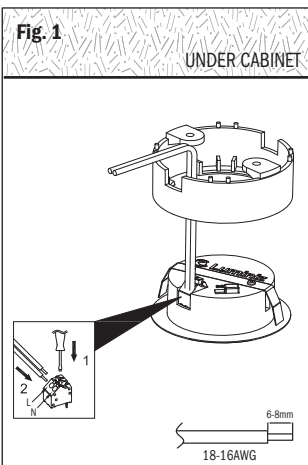
#### CAUTION:

TO REDUCE THE RISK OF FIRE, ELECTRIC SHOCK, OR INJURY TO PERSONS:

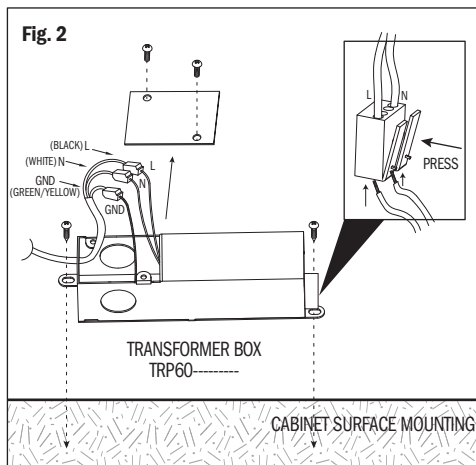
- USE ONLY INSULATED STAPLES OR PLASTIC TIES TO SECURE CORDS;
- ROUTE AND SECURE CORDS SO THAT THEY WILL NOT BE PINCHED OR DAMAGED WHEN THE CABINET IS PUSHED TO THE WALL;
- NOT INTENDED FOR RECESSED INSTALLATION IN CEILINGS OR SOFFITS;

\*\* THIS FIXTURE IS RATED AS SUITABLE FOR DAMP LOCATION WHEN IT IS INSTALLED WITH LUMINIZ TRANSFORMER.

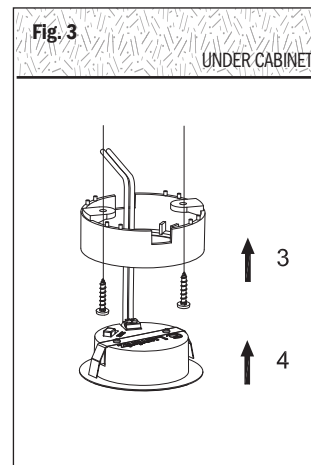
## INSTALLATION INSTRUCTIONS



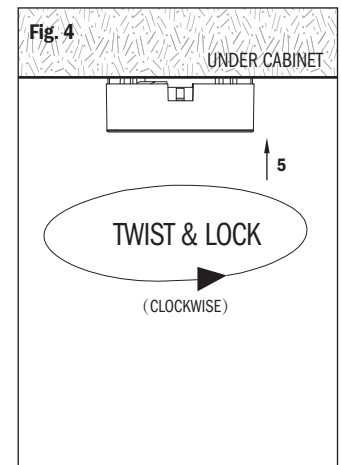
1) TURN OFF ALL ELECTRICAL POWER BEFORE INSTALLING. REMOVE RING SOCKET FROM PUCKLIGHT IF NECESSARY. CONNECT WRP8----- OR SIMILAR CABLE TO PUSH IN CONNECTOR.



2) SCREW IN THE TRANSFORMER BOX TO THE MOUNTING SURFACE. THEN, UNSCREW THE LID AND CONNECT 120V AC CABLE TO LUMINIZ TRANSFORMER BOX BY USING THE QUICK CONNECTORS.



3) SCREW IN THE RING SOCKET TO THE MOUNTING SURFACE. THREAD THE WIRE THROUGH THE CABINET HOLE (MAKE 3/5" HOLE UNDER CABINET) PRESS IN THE PUCKLIGHT TO THE SOCKET.



4) TWIST THE PUCKLIGHT TO LOCK IT TO THE SOCKET.

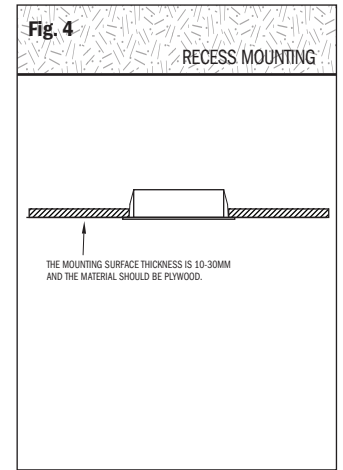
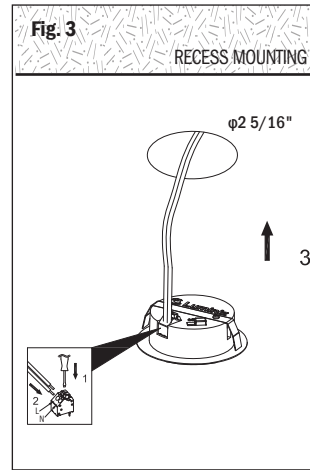
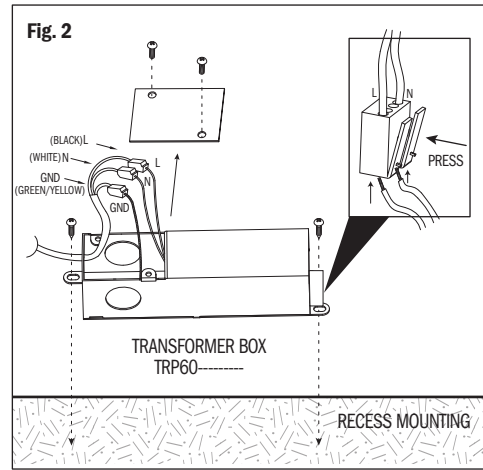
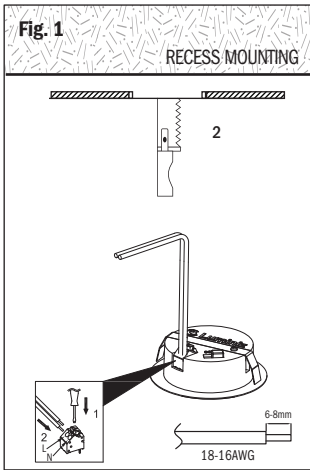


# Luminiz\*

We are everywhere

# PUCKLIGHT

MODEL • PK103--3CTWH | PK103--3CTBK | PK103--3CTNK  
PK104--3CTWH | PK104--3CTBK | PK104--3CTNK



1) TURN OFF ALL ELECTRICAL POWER BEFORE INSTALLING. REMOVE RING SOCKET FROM PUCKLIGHT IF NECESSARY. CONNECT WRP8----- OR SIMILAR CABLE TO PUSH IN CONNECTOR.  
2) MAKE 2 5/16" HOLE INSIDE CABINET

2) CONNECT 120V AC CABLE TO LUMINIZ TRANSFORMER BOX BY USING THE QUICK CONNECTORS.

3) THREAD THE WIRE THROUGH THE CABINET HOLE.

4) PUSH PUCKLIGHT INTO THE HOLE.

## CONNECTION



MULTILINK

PUCK LIGHT (Patent Pending) allows multiple connection (MULTILINK). NOTE: For a perfect dimming, the distance of each fixture must be the same to transformer.

MINIMUM 2 PUCK LIGHT per LUMINIZ Transformer Box.  
MAXIMUM 8 PUCK LIGHT per LUMINIZ Transformer Box.

