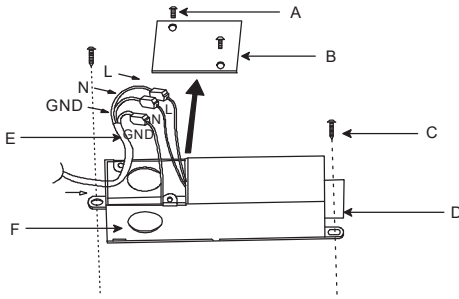


PACKAGE CONTENTS

SPECIFICATIONS

FEATURES



TRANSFORMER BOX

MODEL:

TRP60-----

POWER: 60W

INPUT: 120VAC 60Hz 0.5A

OUTPUT: 12VAC

DIMENSIONS: 1.5"x1.5"x6.69"

DIMMABLE: YES WITH LUMINIZ PUCKLIGHTS



MULTI LINK



DAMP LOCATION



60W



PATENT



LOW VOLTAGE



DIMMABLE

#	CAT	CARACTÉRISTIQUES
A	Screw	M3x0.23" (6mm)
B	Cover	2" x 1.5" x 0.03" (51x38x1mm)
C	Screw	ST3x0.47" (12mm)
D	Connector	4 HOLE PUSH CONNECTOR
E	Input Wire	18AWG
F	Transformer	1.5" x 1.5" x 6.69"

SAFETY PRECAUTIONS

IMPORTANT SAFETY INSTRUCTIONS :

READ ALL INSTRUCTIONS BEFORE INSTALLATION AND RETAIN FOR FUTURE REFERENCES

DANGER : RISK OF SHOCK
DISCONNECT POWER BEFORE INSTALLATION.

RISK OF FIRE OR ELECTRIC SHOCK: THE ELECTRICAL RATING OF THESE PRODUCTS ARE 12V AC.

WARNING: TO PREVENT WIRING DAMAGE OR ABRASION, DO NOT EXPOSE WIRING TO EDGES OF SHEET METAL OR OTHER SHARP OBJECTS. DO NOT MAKE OR ALTER ANY OPEN HOLES IN AN ENCLOSURE OF WIRING OR ELECTRICAL COMPONENTS DURING KIT INSTALLATION.

THIS DEVICE IS NOT INTENDED FOR USE WITH EMERGENCY EXITS.

SUPPLY CONDUCTORS (POWER WIRES) CONNECTING THE FIXTURE MUST BE RATED

MINIMUM 90 ° C. IF UNCERTAIN, PLEASE CONSULT AN ELECTRICIAN. DANGER-RISK OF SHOCK-DISCONNECT POWER BEFORE INSTALLATION.

WARNING: RISK OF FIRE OR ELECTRIC SHOCK.LED RETROFIT KIT INSTALLATION REQUIRES KNOWLEDGE OF LUMINAIRES ELECTRICAL SYSTEMS. IF NOT QUALIFIED,DO NOT ATTEMPT INSTALLATION, PLEASE CONTACT QUALIFIED ELECTRICIAN.

CAUTION: TO AVOID POSSIBLE ELECTRICAL SHOCK,BE SURE THAT POWER SUPPLY IS TURNED OFF AT FUSE BOX OR CIRCUIT BREAKER BEFORE INSTALLING OR SERVICING FIXTURE.FOR YOUR SAFETY READ AND UNDERSTAND INSTRUCTION COMPLETELY BEFORE BEGINNING INSTALLATION. TO REDUCE RISK OF FIRE OR ELECTRIC SHOCK,DO NOT STRIP WIRES. CUT WIRES OFF CLEANLY.

THIS DEVICE SUITABLE FOR DAMP LOCATION**.

CAUTION:

TO REDUCE THE RISK OF FIRE,ELECTRIC SHOCK, OR INJURY TO PERSONS:

A) USE ONLY INSULATED STAPLES OR PLASTIC TIES TO SECURE CORDS;

B) ROUTE AND SECURE CORDS SO THAT THEY WILL NOT BE PINCHED OR DAMAGED WHEN THE CABINET IS PUSHED TO THE WALL;

C) POSITION THE PORTABLE CABINET LIGHT WITH RESPECT TO THE CABINET SO THE LAMP REPLACEMENT MARKINGS ARE ABLE TO BE READ DURING RELAMPING;

D) NOT INTENDED FOR RECESSED INSTALLATION IN CEILINGS OR SOFFITS;

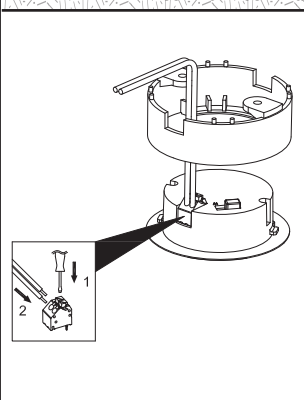
E) THE NATIONALELECTRICAL CODE (NEC) DOES NOT PERMIT CORDS TO BE CONCEALED WHERE DAMAGE TO INSULATION MAY GO UNNOTICED. TO PREVENT FIRE DANGER, DO NOT THE RUN CORD BEHIND WALLS, CEILINGS, SOFFITS,OR CABINETS WHERE IT MAY BE INACCESSIBLE FOR EXAMINATION. CORDS SHOULD BE VISUALLY EXAMINED PERIODICALLY AND IMMEDIATELY REPLACED WHEN ANY DAMAGE IS NOTED.

** THIS FIXTURE IS RATED AS SUITABLE FOR DAMP LOCATION WHEN IT IS INSTALLED WITH LUMINIZ TRANSFORMER.

INSTALLATION INSTRUCTIONS

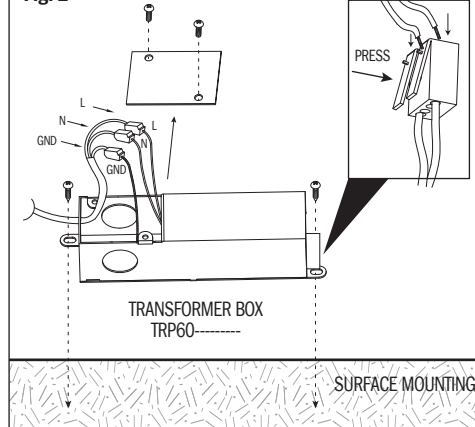
Fig. 1

SURFACE MOUNTING



1) TURN OFF THE POWER SUPPLY BEFORE INSTALLING. REMOVE PUCKLIGHT HOUSING. PLUG IN CABLE TO PRESS IN CONNECTOR.

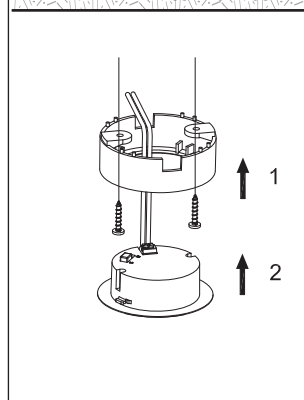
Fig. 2



2)CONNECT THE 120V ALTERNATIVE CURRENT CABLE TO LUMINIZ TRANSFORMER BOX USING THE QUICK CONNECTORS.

Fig. 3

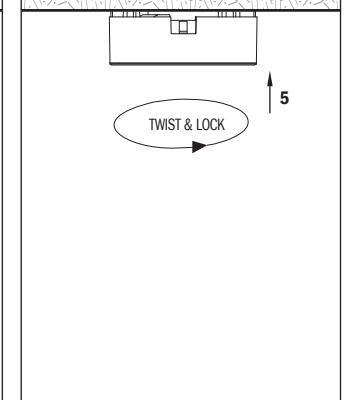
SURFACE MOUNTING



3) USE SCREWS TO FIX THE HOUSING TO THE CABINET SURFACE,CHOOSE NEEDED COLOR TEMPERATURE BY ADJUSTING THE SWITCH ON THE JUNCTION BOX.

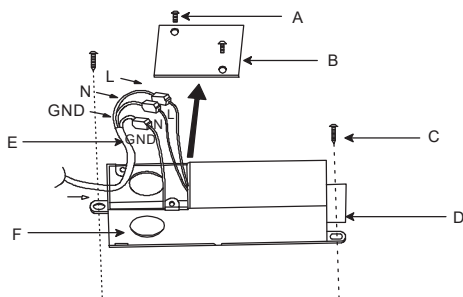
Fig. 4

SURFACE MOUNTING



4) INSERT THE PUCKLIGHT INTO THE HOUSING.

PACKAGE CONTENTS



#	CAT	CARACTÉRISTIQUES
A	Screw	M3x0.23" (6mm)
B	Cover	2" x 1.5" x 0.03" (51x38x1mm)
C	Screw	ST3x0.47" (12mm)
D	Connector	4 HOLE PUSH CONNECTOR
E	Input Wire	18AWG
F	Transformer	1.5" x 1.5" x 6.69"

SPECIFICATIONS

TRANSFORMER BOX

MODEL:

TRP60-----

POWER: 60W

INPUT: 120VAC 60Hz 0.5A

OUTPUT: 12VAC

DIMENSIONS: 1.5"x1.5"x6.69"

DIMMABLE: YES WITH LUMINIZ PUCKLIGHTS

FEATURES



MULTI LINK



DAMP LOCATION



60W



PATENT



LOW VOLTAGE



DIMMABLE

SAFETY PRECAUTIONS

IMPORTANT SAFETY INSTRUCTIONS :

READ ALL INSTRUCTIONS BEFORE INSTALLATION AND RETAIN FOR FUTURE REFERENCES

DANGER : RISK OF SHOCK

DISCONNECT POWER BEFORE INSTALLATION.

RISK OF FIRE OR ELECTRIC SHOCK: THE ELECTRICAL RATING OF THESE PRODUCTS ARE 12V AC.

WARNING: TO PREVENT WIRING DAMAGE OR ABRASION, DO NOT EXPOSE WIRING TO EDGES OF SHEET METAL OR OTHER SHARP OBJECTS. DO NOT MAKE OR ALTER ANY OPEN HOLES IN AN ENCLOSURE OF WIRING OR ELECTRICAL COMPONENTS DURING KIT INSTALLATION.

THIS DEVICE IS NOT INTENDED FOR USE WITH EMERGENCY EXITS.

SUPPLY CONDUCTORS (POWER WIRES) CONNECTING THE FIXTURE MUST BE RATED

MINIMUM 90° C. IF UNCERTAIN, PLEASE CONSULT AN ELECTRICIAN. DANGER-RISK OF SHOCK-DISCONNECT POWER BEFORE INSTALLATION.

WARNING: RISK OF FIRE OR ELECTRIC SHOCK. LED RETROFIT KIT INSTALLATION REQUIRES KNOWLEDGE OF LUMINAIRES ELECTRICAL SYSTEMS. IF NOT QUALIFIED, DO NOT ATTEMPT INSTALLATION, PLEASE CONTACT QUALIFIED ELECTRICIAN.

CAUTION: TO AVOID POSSIBLE ELECTRICAL SHOCK, BE SURE THAT POWER SUPPLY IS TURNED OFF AT FUSE BOX OR CIRCUIT BREAKER BEFORE INSTALLING OR SERVICING FIXTURE. FOR YOUR SAFETY READ AND UNDERSTAND INSTRUCTION COMPLETELY BEFORE BEGINNING INSTALLATION. TO REDUCE RISK OF FIRE OR ELECTRIC SHOCK, DO NOT STRIP WIRES. CUT WIRES OFF CLEANLY.

THIS DEVICE SUITABLE FOR DAMP LOCATION**.

CAUTION:

TO REDUCE THE RISK OF FIRE, ELECTRIC SHOCK, OR INJURY TO PERSONS:

A) USE ONLY INSULATED STAPLES OR PLASTIC TIES TO SECURE CORDS;

B) ROUTE AND SECURE CORDS SO THAT THEY WILL NOT BE PINCHED OR DAMAGED WHEN THE CABINET IS PUSHED TO THE WALL;

C) POSITION THE PORTABLE CABINET LIGHT WITH RESPECT TO THE CABINET SO THE LAMP REPLACEMENT MARKINGS ARE ABLE TO BE READ DURING RELAMPING;

D) NOT INTENDED FOR RECESSED INSTALLATION IN CEILINGS OR SOFFITS;

E) THE NATIONAL ELECTRICAL CODE (NEC) DOES NOT PERMIT CORDS TO BE CONCEALED WHERE DAMAGE TO INSULATION MAY GO UNNOTICED. TO PREVENT FIRE DANGER, DO NOT THE RUN CORD BEHIND WALLS, CEILINGS, SOFFITS, OR CABINETS WHERE IT MAY BE INACCESSIBLE FOR EXAMINATION. CORDS SHOULD BE VISUALLY EXAMINED PERIODICALLY AND IMMEDIATELY REPLACED WHEN ANY DAMAGE IS NOTED.

** THIS FIXTURE IS RATED AS SUITABLE FOR DAMP LOCATION WHEN IT IS INSTALLED WITH LUMINIZ TRANSFORMER.

INSTALLATION INSTRUCTIONS

