**Product Name**

FL110050C--CWC: Floodlight 50W : 120V AC

Product Specification

Input Voltage: 100-277V AC, 60Hz

Input Power: 50W

Power Factor: PF \geq 0.90

Luminance: 3700lm

Luminous efficacy: 75lm/w

Beam Angle: 120°

Main Structure: Aluminum + Tempered Glass

LED Chip: CREE

IP Rating: IP65

CRI: >82

Color Temperature.: 5000K

Environment Specification

Operating Temperature: -20°C ~ 40°C

Environmental Humidity: 10% ~ 90%

Product Features

Silent Operation

Suitable on damp locations

Substantial Energy Saving

No Flicker

Instant On

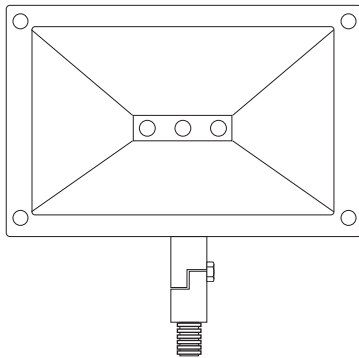
Excellent For Cold Weather Applications

Environmentally Friendly

No UV or IR Radiation

Extensive Range of Applications

Certification

**Product Name**

FL110050I--CWC: Floodlight 50W : 120V AC

Product Specification

Input Voltage: 100-277V AC, 60Hz

Input Power: 50W

Power Factor: PF \geq 0.90

Luminance: 3700lm

Luminous efficacy: 75lm/w

Beam Angle: 120°

Main Structure: Aluminum + Tempered Glass

LED Chip: CREE

IP Rating: IP65

CRI: >82

Color Temperature.: 5000K

Environment Specification

Operating Temperature: -20°C ~ 40°C

Environmental Humidity: 10% ~ 90%

Product Features

Silent Operation

Suitable on damp locations

Substantial Energy Saving

No Flicker

Instant On

Excellent For Cold Weather Applications

Environmentally Friendly

No UV or IR Radiation

Extensive Range of Applications

Certification