

NEXTGEN NOVELTY COLLECTION

TRIMLESS



OUTER TRIM: TN21340---WH

Tilt Angle: 30°

Material Die Cast Aluminum

Spring Clips

LED MODULE: NG---40300 (3000K) | (X2)

Power: 18W

LED Type: Bridgelux COB

Frequency: 60Hz

Luminance: 1440lm

Voltage IN (Module): 18 - 32V DC

Voltage IN (Driver) 100 -175V AC

CRI: >80

CCT: 3000K (Available in 4000K & 5000K)

Lifespan: 25000 hours

Beam Angle: 40°

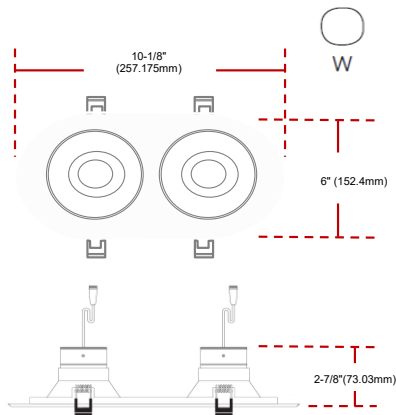
ELECTRICAL DRIVER

Class 2 dimmable constant current driver (included)

Thermally protected

Input voltage: 120V.

Mounting Plate: GP3012N



CUT HOLE 9" X 4"

FEATURES



IC RATED



DAMP
LOCATION



DIMMABLE



120V
LINE
VOLTAGE



DRIVER INCLUDED