

NEXTGEN20

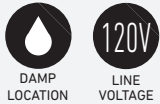
DOUBLE DRIVER



MODEL NO.

DR10202

FEATURES

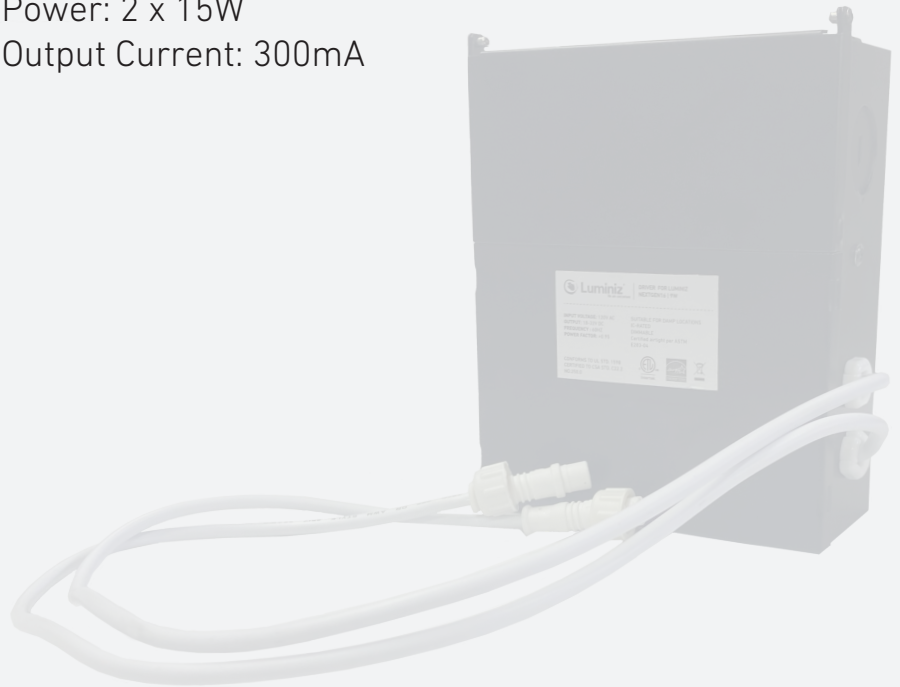
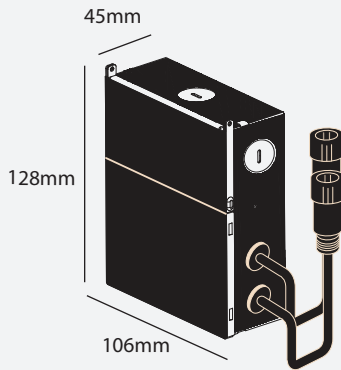


SPECIFICATION

LED NEXTGEN PAR 20 DRIVER 2 HEAD

- Dimmable: Yes
- Input Voltage: 120V AC
- Output DC: 35-50V
- Frequency: 60Hz
- Input Current: 0.25A
- Power Factor: ≥ 0.95
- Power: 2 x 15W
- Output Current: 300mA

DIMENSIONS



CERTIFICATE:

