

# MECHANICAL TIMER

## FOR TRANSFORMER PRO



### MODEL NO.

AC12009

### SPECIFICATION

Voltage: 120V AC  
Max Loading: 15A, 1800W  
Minimum Setting: 30min  
Operating Temp: -20° to 50°C

### FEATURES

- Automatic ON/OFF
- Manual constant on override switch
- Minimum Setting: Each pin represents 30mins, 48 on/off settings pins per day
- Program repeats daily

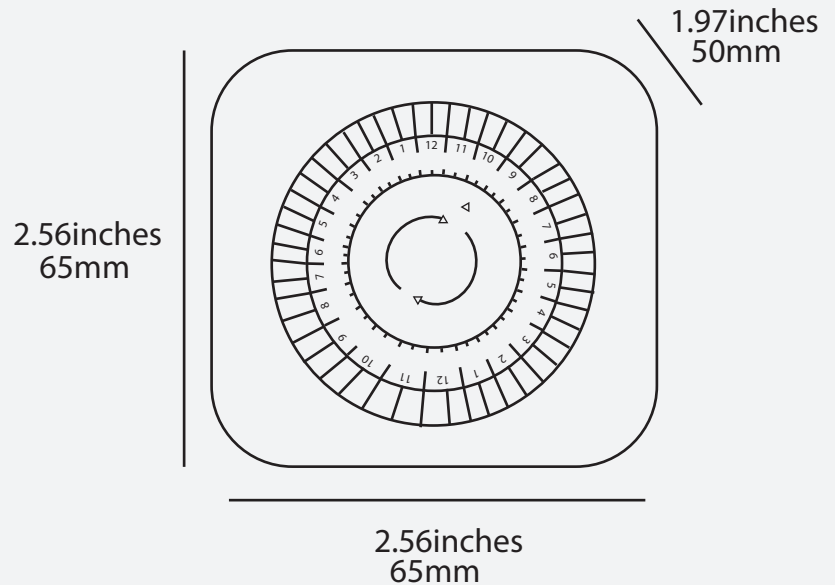
### APPLICATIONS

- Used with low voltage transformers.

### CERTIFICATE:



### DIMENSIONS



### COMPATIBLE ACCESSORIES

- TF106---75 - 75W TRANSFORMER PRO
- TF106---150 - 150W TRANSFORMER PRO
- TF106---300 - 300W TRANSFORMER PRO