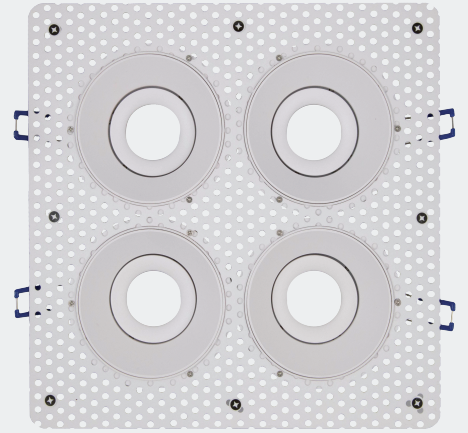


QUAD

NEXTGEN TRIMLESS



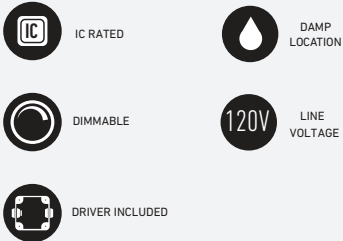
MODEL NO.

TN41340---WH
TN41340---BK

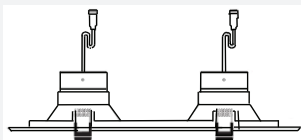
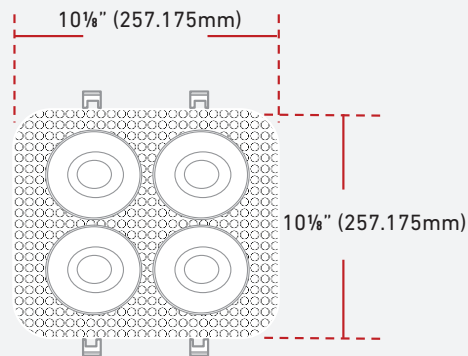
COLOURS



FEATURES



DIMENSIONS



CUT HOLE 9" x 9"

OUTER TRIM

Tilt Angle: 30°
Material: Diecast aluminum

MODULE (NG-303CT) | (X4)

Module: NEXTGEN 16 (NG---303CT)
Power: 36W (9W per module)
LED Type: Bridgelux COB
Frequency: 60Hz
Luminance: 2,880lm (720lm per module)
Voltage In (Module): 18-32V DC
Voltage In (Driver): 120V AC
CRI: >80
3CCT: 3000K-5000K
Lifespan: 25,000 Hrs
Beam Angle: 40°

ELECTRICAL DRIVER

Class 2 Dimmable constant current driver (included)
Thermally protected
Input Voltage: 120V

Mounting Plate: GP3014N

