

PUCKLIGHTS

12V LED UNDERCABINETS



MODEL NO.

SINGLES	KITS
PK103--3CTWH	PK104--3CTWH
PK103--3CTBK	PK104--3CTBK
PK103--3CTNK	PK104--3CTNK

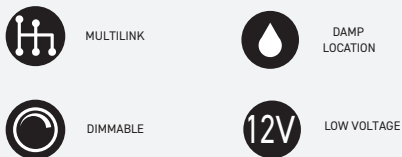
SPECIFICATION

Voltage IN: 12V AC
Frequency: 60Hz
Power: 3.5W
Lumens: 220lm-235lm
Power Factor: >0.9
CRI: 80
Dimmable: Yes
5CCT: 3000K/4000K/5000K
Lifespan: 25,000
Beam Angle: 100°
Cut Size: 2⁵/₁₆

Driver Specification (TRP60)

Model: Dimmable Transformer box (Class 2)
Power: Can connect up to 8 pucklights
Primary INPUT: 120V AC 60Hz 0.5A
Secondary OUTPUT: 11.5 AC per 60VA Circuit
Dimensions: 1.5" x 1.5" x 6.45"

FEATURES



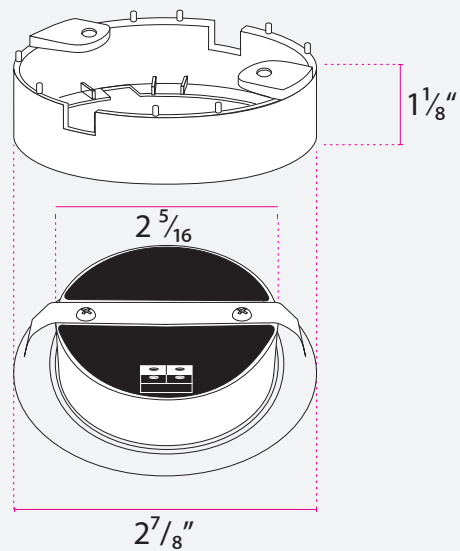
CERTIFICATE:



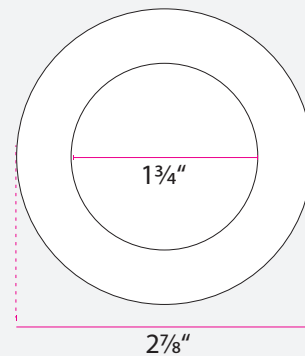
DIMENSIONS

Cuthole Size

2⁵/₁₆



2⁷/₈"



2⁷/₈"

- *Can be recessed or surface mounted
- *Wire not included
- *Not for use in insulated ceilings