

1 2 3 4 5 6

A

A

B

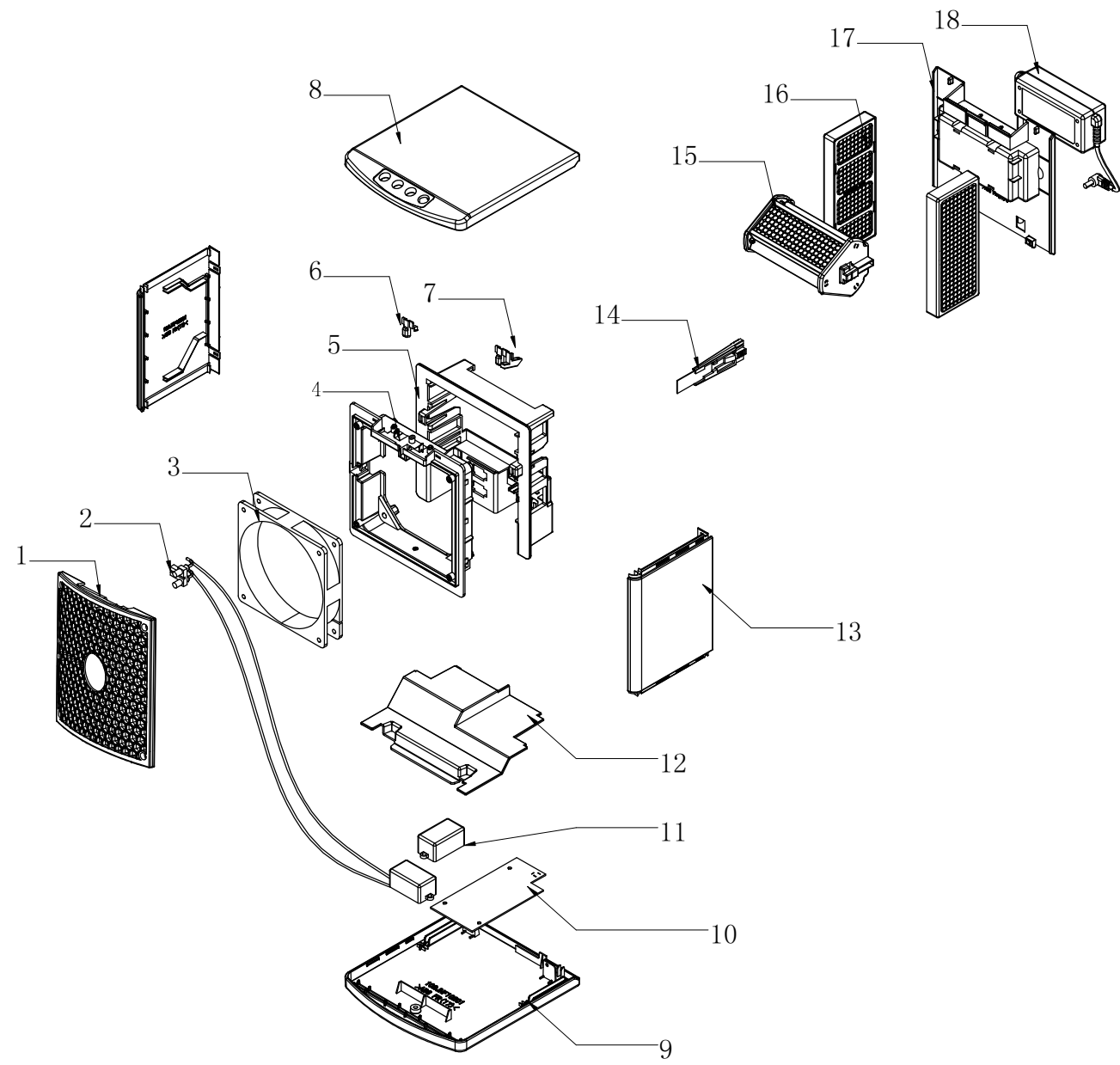
B

C

C

D

D



| | |
|----|---------------------------|
| 18 | Power adaptor |
| 17 | Back cover |
| 16 | Filter |
| 15 | PCO cell |
| 14 | Ozone generator |
| 13 | Side panel |
| 12 | Inter isolation plate |
| 11 | Ozone module |
| 10 | PCB |
| 9 | Bottom |
| 8 | Top panel |
| 7 | Indicator cover |
| 6 | Infrared protection plate |
| 5 | PCO fix holder |
| 4 | Fan motor fix holder |
| 3 | Fan motor |
| 2 | Ionization generator |
| 1 | Front grill |
| NO | Name. |

PREDATOR S141UV
Explosion Map

1 2 3 4 5 6