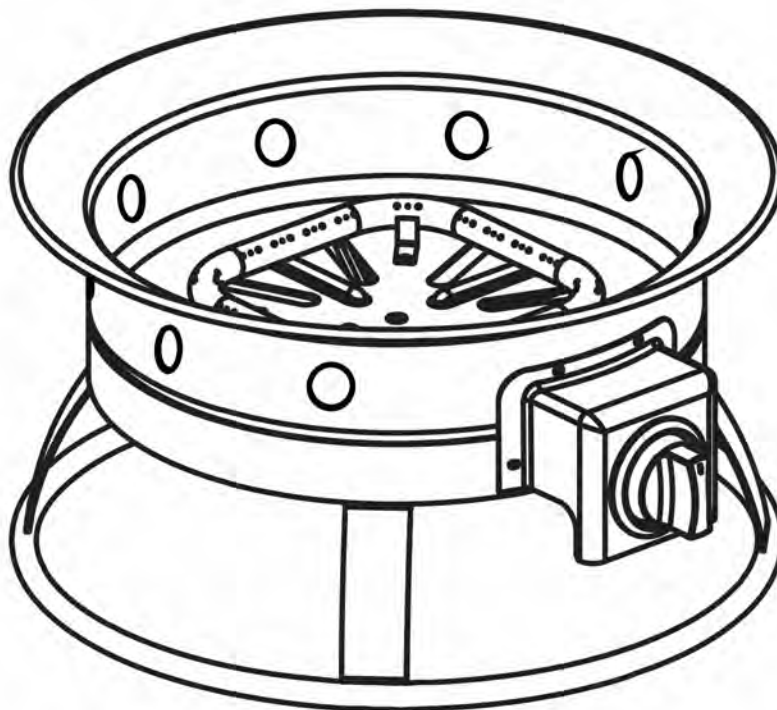




KINGER
HOME
FIREBOWL

Owner's Manual

KINGER[®]
HOME



**OUTDOOR PORTABLE FIRE PIT
USER MANUAL**

MODEL: PFP-001





KINGER
HOME
FIRE BOWL

Owner's Manual

Model number: PFP-001

 **DANGER:**

If you smell gas:

- 1 Shut off gas to the appliance.
- 2 Extinguish any open flame.
- 3 If odour continues, keep away from the appliance and immediately call your gas supplier or fire department.

 **WARNING:**

Do not store or use gasoline or other flammable vapors and liquids in the vicinity of this or any other appliance.

An LP-cylinder not connected for use shall not be stored in the vicinity of this or any other appliance.

 **WARNING:**

For outdoor use only.

 **DANGER**



CARBON MONOXIDE HAZARD

This appliance can produce carbon monoxide which has no odour.

Using it in an enclosed space can kill you.

Never use this appliance in an enclosed space such as a camper, tent, car or home.





⚠ WARNING:

Improper installation, adjustment, alteration, service or maintenance can cause injury or property damage. Read the installation, operating and maintenance instructions thoroughly before installing or servicing this equipment.

⚠ WARNING:

If the information in this manual is not followed exactly, a fire or explosion may result causing property damage, personal injury or loss of life. Installation and service must be performed by a qualified installer, service agency or the gas supplier.

LP SAFETY:

- Do not store a spare LP-gas cylinder under or near this appliance.
- Never fill the cylinder beyond 80 percent full.
- If the information in "(a)" and "(b)" is not followed exactly, a fire causing death or serious injury may occur.

Do not use this appliance under overhead combustible surfaces.

MINIMUM CLEARANCES:

- **Bottom:** Non-Combustible Surface
- **Top:** 80 inches
- **Sides:** 36 inches
- For Installation on (or over) non-combustible floors only

Max. Input: 52,000 BTU (17.0kW)
Max Gas Supply Pressure: 250 PSI

This appliance shall be used only outdoors in a well-ventilated space and shall not be used in a building, garage or any other enclosed area.

If this appliance is not in use, the gas must be turned off at the supply cylinder.

Indoor storage of this appliance is permissible only if the cylinder is disconnected and removed from the appliance.

Cylinders must be stored outdoors in a well-ventilated area out of the reach of children.

Disconnected cylinders must have threaded valve plugs tightly installed and must not be stored in a building, garage or any other enclosed area.

The gas pressure regulator provided with this appliance must be used, and must be the same model as supplied with the unit.

The cylinder supply system must be arranged for vapor withdrawal.

Cylinders used with this unit must have a collar to protect the cylinder valve.

An approved LP-Cylinder stabilizer, such as the stabilizer ring included, must be used when the appliance is in use.

Replacement parts and a list of such parts are available from FMI Brands Inc. through the contact information provided on the last page of this Manual.

Please ensure that all adults and children which use or are near a unit in use are aware of the hazard of high-surface temperatures present on the unit during use and should use caution and stay away to avoid burns or clothing ignition.

Carefully supervise young children in the area of this appliance. Clothing or other flammable materials should not be hung from the appliance or placed on or near the appliance. Any guard or other protective device removed for servicing the appliance must be replaced prior to operating the appliance.

Installation and repair should be done by a qualified service person. The appliance should be inspected before use and at least annually by a qualified service person. More frequent cleaning may be required as necessary. It is imperative that control compartment, burners and circulating air passageways of the appliance be kept clean.



All LP cylinders to be used with this appliance must be:

- a. Constructed and marked in accordance with the specifications for LP-gas cylinders Standard, *CAN/CSA B339, Cylinders, Spheres and Tubes for the Transportation of Dangerous Goods*.
- b. Provided with a listed overfilling prevention device.
- c. Provided with a cylinder connection device compatible with the connection for outdoor cooking appliances.
- d. The LP gas cylinder used for this appliance must not have a capacity larger than 20lb. (9 kg).
- e. Approximately 18" (46 cm) high & 12" (30 cm) diameter.
- f. The use of an approved LP gas cylinder stabilizer, such as the one included, must be used when using this appliance in order to prevent the LP gas cylinder from tipping over.

ENCLOSURES FOR SELF-CONTAINED LP GAS SYSTEMS:

An enclosure for an LP-gas cylinder shall be ventilated by openings at both the upper and lower levels of the enclosure. This shall be accompanied by one of the following:

- a. One side of the enclosure shall be completely open; or
- b. For an enclosure having four sides, a top, and a bottom:

At least two ventilation openings (see Part IV, Definitions) shall be provided in the sidewalls of the enclosure, located within 5 in (217 mm) of the top of the enclosure, equally sized, spaced at a minimum of 90 degrees (1.57 rad), and unobstructed. The opening(s) shall have a total free area of not less than 1 in² per lb (14.2 cm² per kg) of stored fuel capacity.

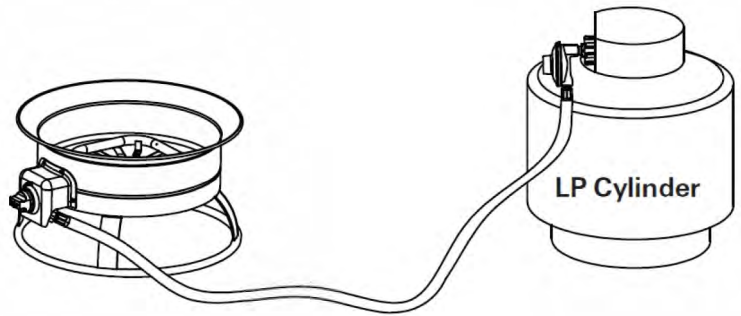
Ventilation opening(s) shall be provided at floor level of the enclosure and shall have total free area of not less than in² per lb (7.1 cm² per kg) of stored fuel capacity. If ventilation openings at floor level area are in the side wall, there shall be at least two openings. The bottom of the openings shall be 1 in (25.4 mm) or less from the floor level and the upper edge no more than 5 in (127 mm) above the floor level. The openings shall be equally sized, spaced at a minimum of 90 degrees (1.57 rad), and unobstructed.

Every opening shall have minimum dimensions so as to permit the entrance of a 1/8 in (3.2 mm) diameter rod. Ventilation openings in sidewalls shall not communicate directly with other enclosures of the appliance.



WARNING:

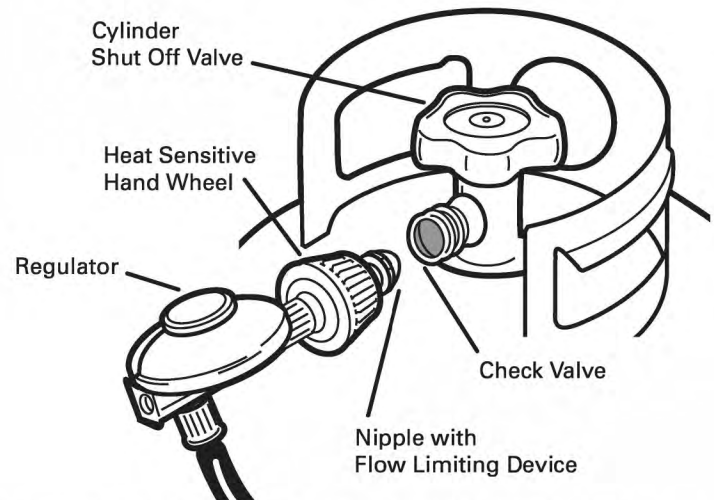
Ensure that the LP gas cylinder is kept at a minimum distance of three feet (36 inches) away from the appliance.



Appliance ← Minimum 36" →

CONNECTION:

1. Be sure the cylinder valve and appliance valves are "off".
2. Place full LP gas cylinder on tank stabilizer ring.
3. Center the nipple in the cylinder valve and hold in place.
4. Using the other hand, turn the hand wheel clockwise until there is a positive stop. Do not use tools.
5. **Hand tighten only. When making the connection, hold the regulator in a straight line with the cylinder valve, so as not to cross thread the connection.**



6. Leak test the connection. See section named "LEAK TEST".



LEAK TEST:

1. DO NOT USE OR PERMIT SOURCES OF IGNITION IN THE AREA WHILE DOING THE LEAK TEST. THIS INCLUDES SMOKING.
2. Leak testing should be done once per year or whenever the LP gas cylinder or any other gas system part is replaced, whichever is more frequent.
3. The leak testing solution should be half liquid detergent and half water.
4. Apply the solution to the LP gas delivery system at points shown in the illustration.
5. Bubbles in the soap solution indicate that a leak is present.
6. The leak(s) must be stopped by tightening the loose joints, if possible, or by replacing the faulty parts(s) with the part(s) recommended by the appliance manufacturer.

THE APPLIANCE IS NOT TO BE USED UNTIL ANY LEAK IS CORRECTED.

A gas appliance repairman or LP gas dealer should be called if attempts to stop the leak(s) are unsuccessful and, in such case, the LP gas supply must be shut off at the cylinder valve or the cylinder must be removed from the appliance until the leak(s) is corrected.

Inspect hose prior to each use of the unit. The hose assembly must be replaced prior to the appliance being put into operation if there is evidence of excessive abrasion or wear, or if the hose is damaged. Contact FMI Brands Inc. should you require a replacement hose.

Inspect burner prior to each use. Burner must be replaced prior to the appliance being put into operation if there is evidence of damage. Replacement burners are available from FMI Brands Inc.

Should any part of this appliance (including the burner) become soiled or dirty, wipe lightly with a damp cloth. Do not use flammable or corrosive cleaning products on or near this unit.

Ensure that gas hose is placed in an area where it is unlikely to be tripped over (such as pathways or trails) or subject to other accidental damage.

Keep the appliance area clear and free from combustible materials, gasoline and other flammable vapors and liquids.

Solid fuels shall not be burned in this appliance.

Installation must conform with local codes or, in the absence of local codes, with either the *National Fuel Gas Code, ANSI Z223.1/NFPA 54, Natural Gas and Propane Installation Code, CSA B149.1 or Propane Storage and Handling Code, B149.2, or the Standard for Recreational Vehicles, ANSI A 119.2/NFPA 1192, and CSA Z240 RV Series, Recreational Vehicle Code, as applicable.*

NOTE TO INSTALLER:

Leave this guide with the consumer.

NOTE TO CONSUMER:

Please retain this guide for future use.

WARNING:

If the information in this manual is not followed exactly, a fire or explosion may result causing property damage, personal injury or loss of life. Installation and service must be performed by a qualified installer, service agency or the gas supplier.

California Proposition



WARNING: This product contains chemicals known to the State of California to cause cancer, and birth defects or other reproductive harm.

For more information: www.P65Warnings.ca.gov



SECTION 1: ASSEMBLY

STEP 1

Enclosed are bags of rocks, one factory installed 10' propane-rated hose with attached regulator, and one propane tank stabilizer

STEP 2

Remove plastic bags containing the rocks and propane stabilizer

STEP 3

Open the bags containing mid-sized rocks, labeled and them arrange in burner area.

NOTE TO USER:

Before igniting the unit for the first time, follow steps one through 5 in the below Ignition section.

Mix a solution of liquid soap and water in a spray bottle, and apply to the gas fittings you have just connected.

If parts of the fitting begin to produce bubbles, spray liquid, or if you smell liquid propane gas, immediately close the valve on the tank, and leave the unit for at least an hour undisturbed to allow excess gas to escape.

After an hour, disconnect the hose and take the unit to a certified propane technician for consultation.



Our preferred configuration is pictured here. Never handle rocks which have not been allowed to cool from exposure to flame. Never attempt to rearrange rocks while unit is ignited.

Note: Rocks are not to exceed a maximum weight of 5 kgs or 11 lbs.

SECTION 2: IGNITION

STEP 1

Ensure that unit valve dial is in the "OFF" position by pushing and turning clockwise until the dial stops.



STEP 2

Securely attach regulator (large end of hose) to your propane cylinder.





SECTION 2: IGNITION CONTINUED

STEP 3

Extend hose to full length and ensure that the propane tank is as far as safely possible from the Firebowl and place the tank in the included stabilizer ring.

STEP 4

Slowly* turn cylinder valve to the open position.

***NOTE:** Opening the valve too quickly may activate the excess-flow valve in your propane cylinder, decreasing gas flow dramatically. In this case, shut valve off and re-open very slowly.

STEP 5

Push and turn the variable control knob anticlockwise to the "FLAME" position to light the fire pit. If required, keep pushing and turning the control knob anticlockwise until the firepit lights up. Turn the variable control knob to the desired temperature position using the "SMALL FLAME" or "LARGE FLAME" labels.



STEP 6

Once the unit is burning normally set the dial to desired flame height.



WARNING: Ensure that no parts of your body, clothing, or any other combustible material are above the burner before, during and after ignition.

SECTION 3: PERIODIC INSPECTION OF BURNER FLAMES



Upon igniting the appliance, visually verify that the burner is indeed burning as demonstrated in the image below. The presence of flames will confirm that the burner is burning. Periodically check that the burner flame is present during operation by visually inspecting the burner to ensure the presence of flames.



If there are no flames present, as demonstrated in the image below, the appliance is likely not burning. If this is the case, **IMMEDIATELY** turn the valve to the "off" position if it is not already and repeat the ignition procedure as outlined in Section 2.



SECTION 4: EXTINGUISHING THE APPLIANCE

STEP 1

Turn cylinder valve to the "Closed" position.

STEP 2

Turn appliance valve to the "Off" position by pushing and turning knob clockwise.

STEP 3

Allow unit to cool for at least five (5) minutes before relighting.

SECTION 5: FIREBOWL MAINTENANCE

Your Outland Firebowl requires periodic maintenance to keep it in good running order. Follow the steps below to ensure your appliance will provide you with the best possible performance:

- 1 Keep your Kinger Home Firebowl out of the rain and store it in a dry place.
- 2 This device has been engineered to provide the maximum amount of heat and comfort. If you experience any signs of your propane cylinder 'freezing off' or start to experience lower flames than usual, please simply turn the burner control setting to low for 5–10 minutes, or replace the cylinder with a full one.
- 3 Ensure that you clean the bowl of your Kinger Home Firebowl after every use to keep it looking GREAT. Simply wiping the outer edge of the Firebowl with a damp paper towel or cloth to remove any combustion particulates.

NOTES:

- Expected burn time; the anticipated burn time for your Outland Firebowl using a full 20 lb (9kg) propane cylinder is between 7 and 11 hours depending on where the flame height is set.
- FMI Brands Inc. recommends that you ignite this unit only when safely placed on a non-combustible surface as pictured above.
- This is NOT a toy. Children should be supervised at all times when using this unit without exception.
- Do not place any objects other than supplied rocks inside the burner component of the Firebowl.
- Do not add wood or any other materials to the fire. It is designed to safely combust propane only.
- Do not connect to a remote gas supply.
- Do not use this appliance if any part has been under water. Immediately call a qualified service technician to inspect the appliance and to replace any part of the control system and any gas control which has been under water.
- Do not leave this appliance in the rain.

AVAILABLE BY:

KINGER[®]
HOME

818-477-0812

help@kingerhome.com

www.kingerhome.com

Made in China