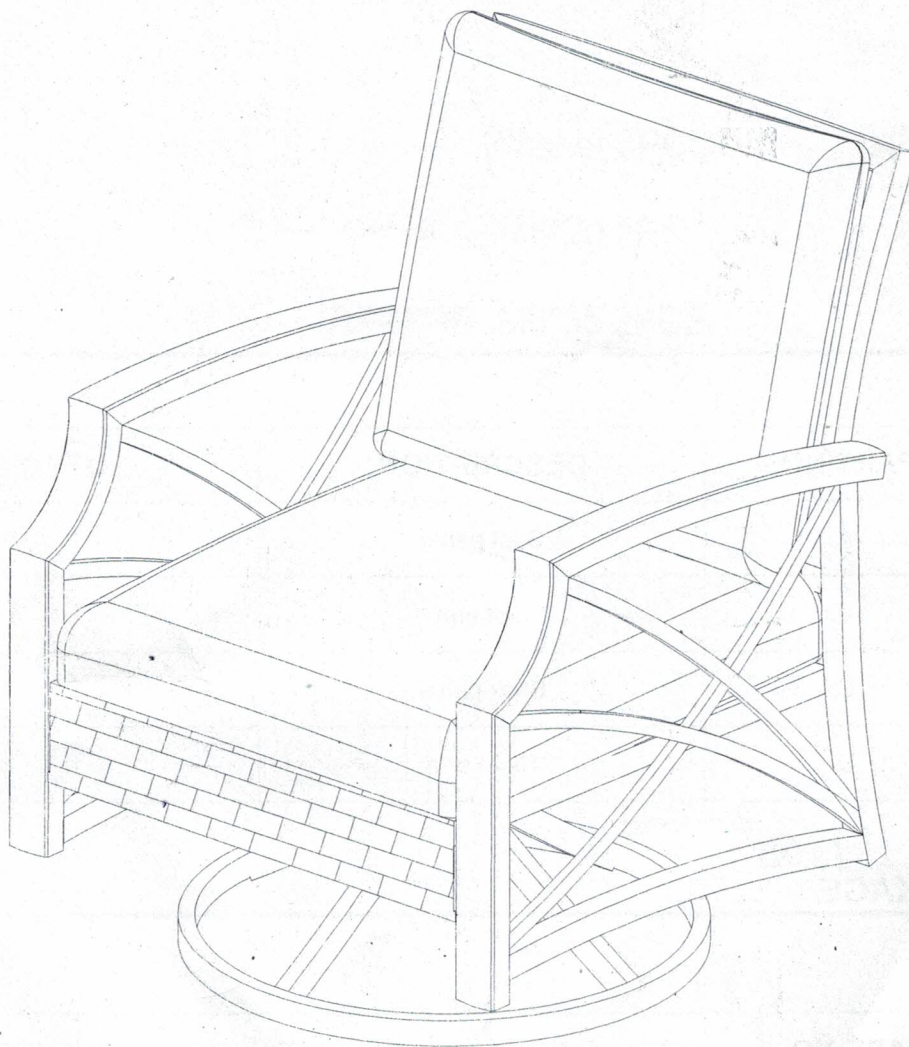
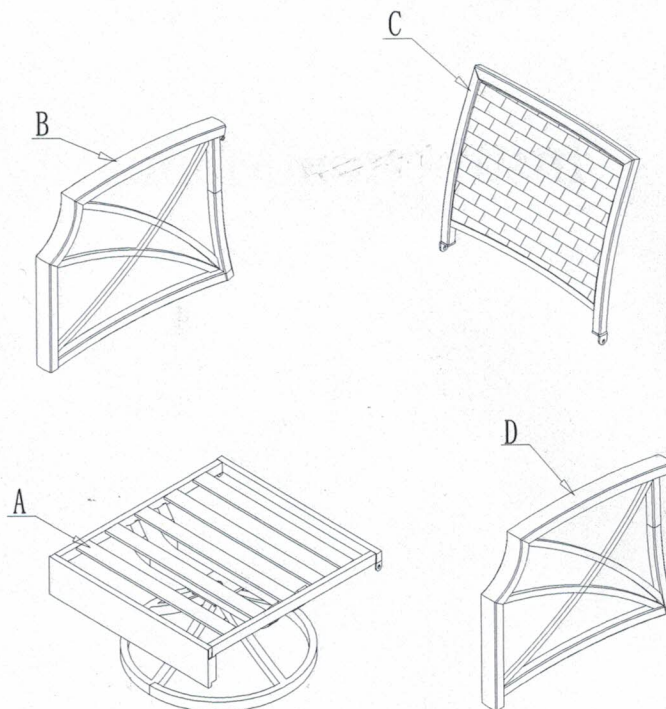


# Swivel Chair

## Instruction Manual






## EXPLODED VIEW



## PART LIST

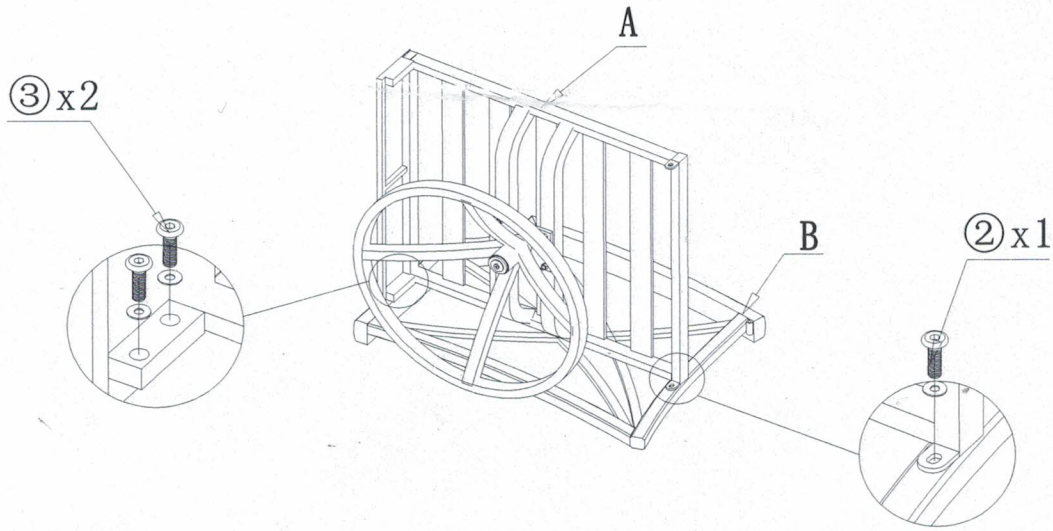
PART NO.	DESCRIPTION	QTY
A	Seat panel	1
B	Left arm	1
C	Back panel	1
D	Right arm	1




## SCREW PACKAGE

PART NO.	Description	Picture	QTY
①	Washer		8
②	Screw M6*20mm		4
③	Screw M6*35mm		6

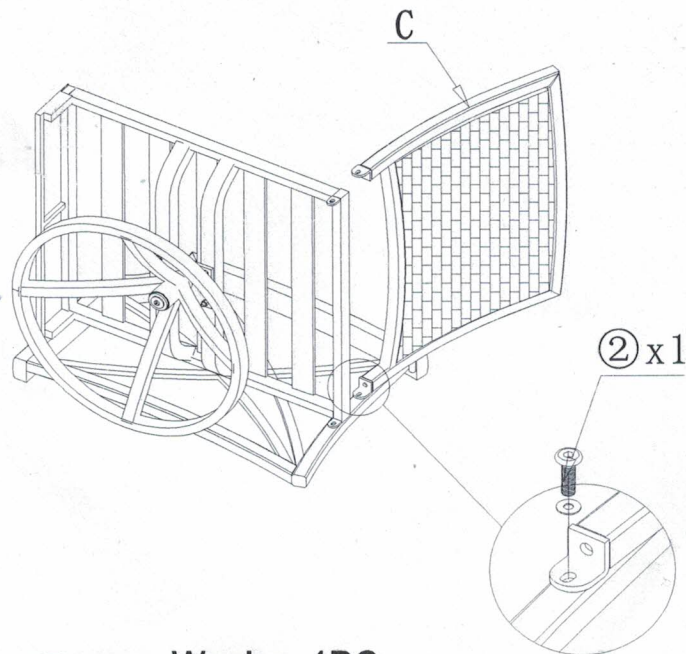
# ASSEMBLY INSTRUCTIONS



## Step 1



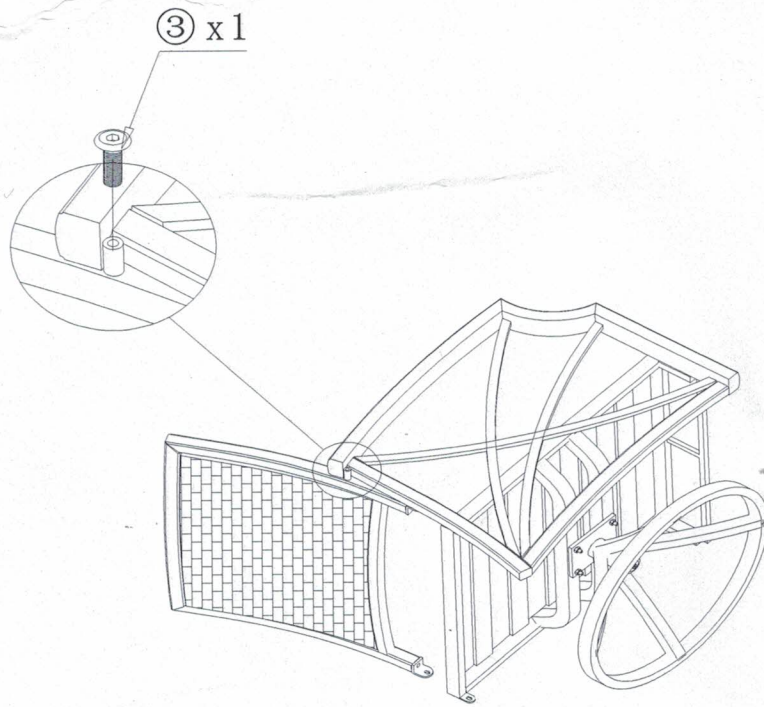
- ①  Washer 3PCS
- ②  M6\*20 1PC
- ③  M6\*35 2PCS

## Step 2



- ①  Washer 1PC
- ②  M6\*20 1PC

### Step 3



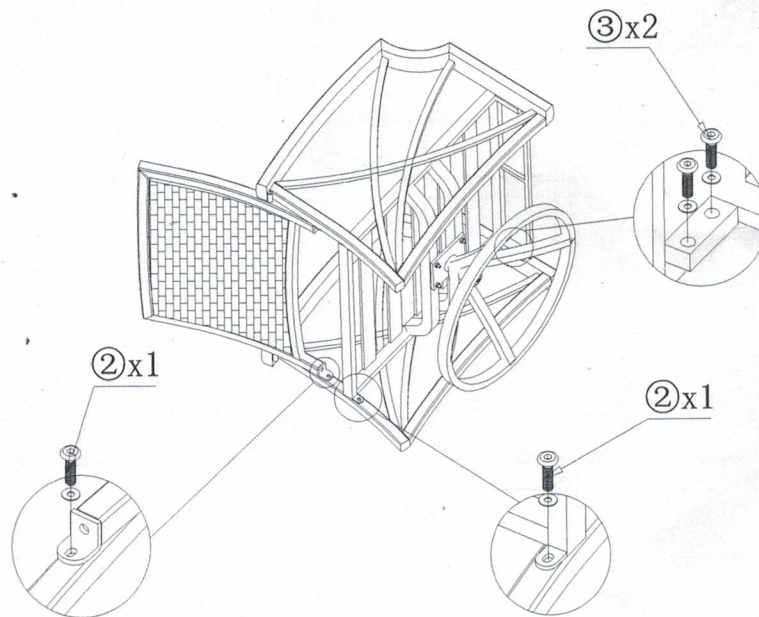
③ x 1

③



M6\*35 1PC

### Step 4



③ x 2

② x 1

② x 1

①



Washer 4PCS

②



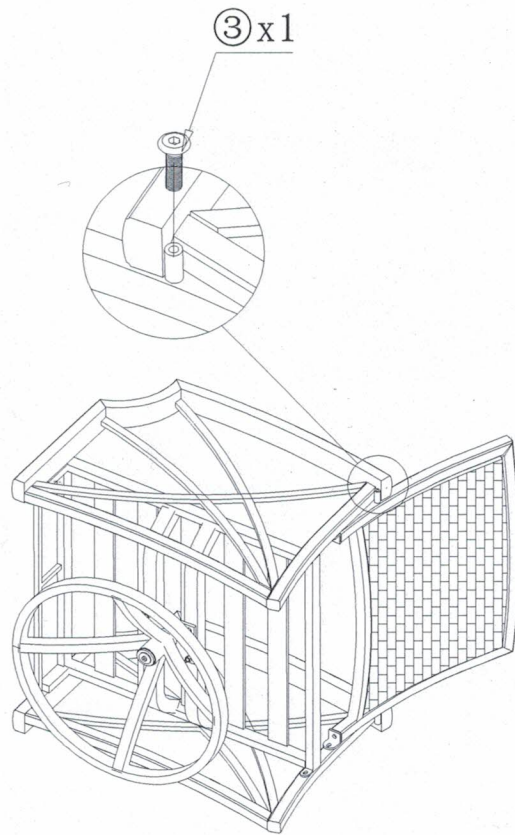
M6\*20 2PCS

③



M6\*35 2PCS

# Step 5



③ x1

③



M6\*35 1PC