

ASSEMBLY GUIDE

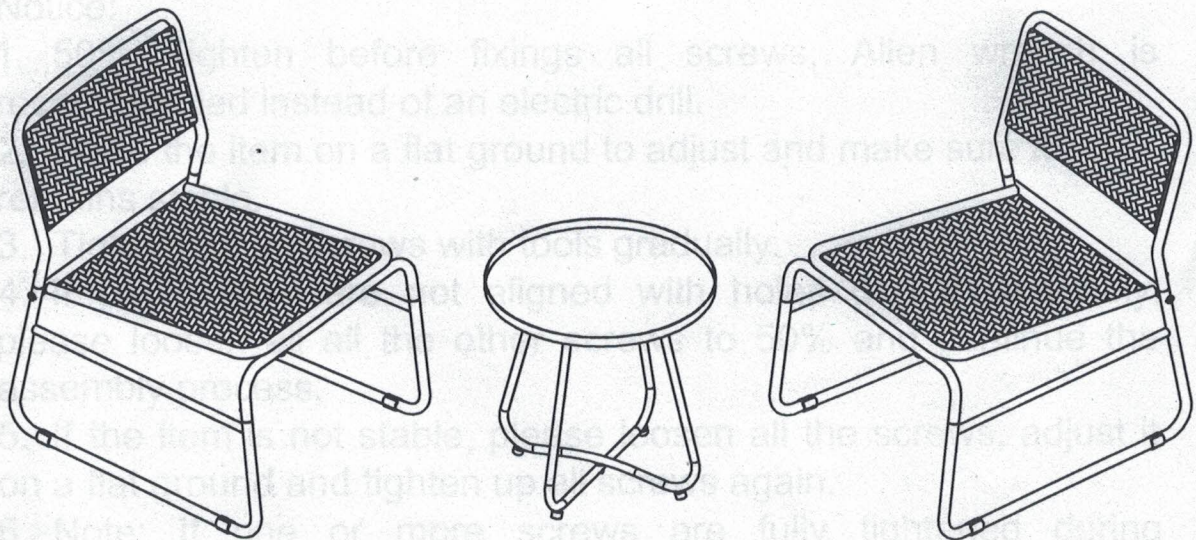
SKU: PBS-004GRN

KINGER[®]

HOME

Outdoor Patio Bistro Set

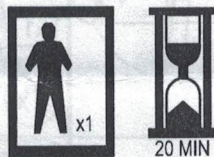
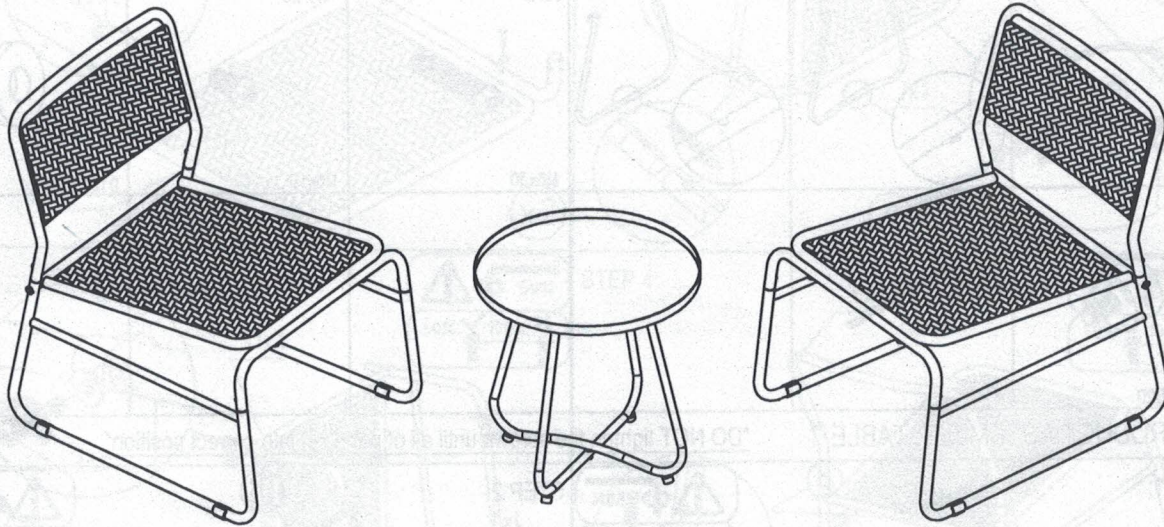
SKU: PBS-004GRN



All tools and hardware are included.

Outdoor Patio Bistro Set


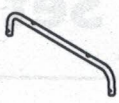
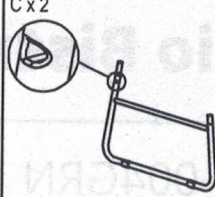
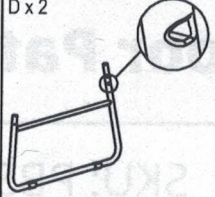
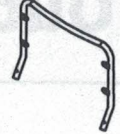


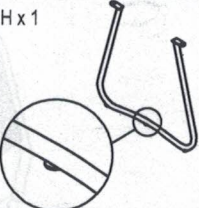
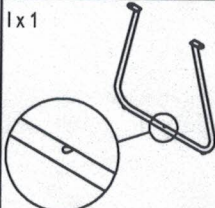





SKU: PBS-004GRN



Notice:

1. 50% Tighten before fixings all screws, Allen wrench is recommended instead of an electric drill.
2. Place the item on a flat ground to adjust and make sure it remains stable.
3. Tighten up all screws with tools gradually.
4. If the screws are not aligned with holes during assembly, please loosen all the other screws to 50% and continue the assembly process.
5. If the item is not stable, please loosen all the screws, adjust it on a flat ground and tighten up all screws again.
6. Note: If one or more screws are fully tightened during assembly, chances are the others will not be aligned with holes. In addition, all the holes are designed to be relatively larger to provide more space for the adjustment of the screws.

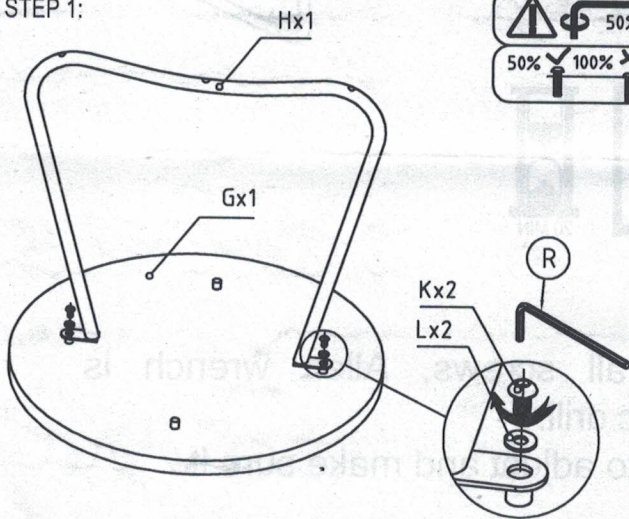
I - PARTS AND HARDWARE

A x 2 	B x 2 	C x 2 	D x 2 	E x 2 	F x 2 
G x 1 	H x 1 	I x 1 	J x 9  M6x30	K x 20  M6x10	L x 21  D16/7 x1
M x 4  M6x25/D20	N x 1  4				

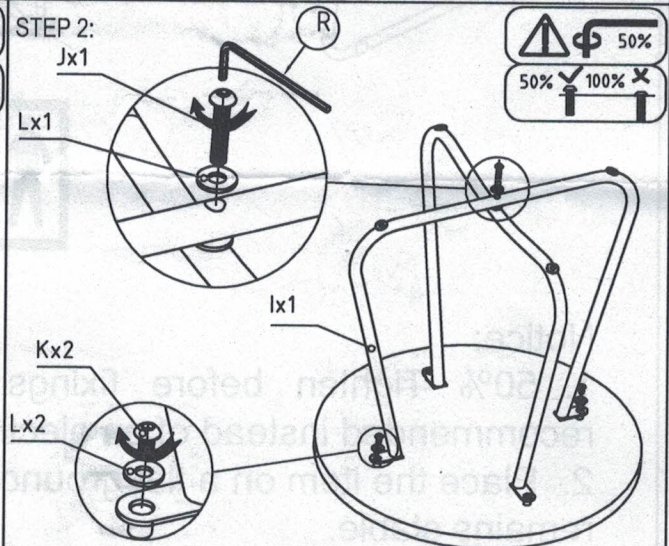
II - PRODUCT ASSEMBLY: TABLE

"DO NOT tighten the screws until all of parts set into correct position"

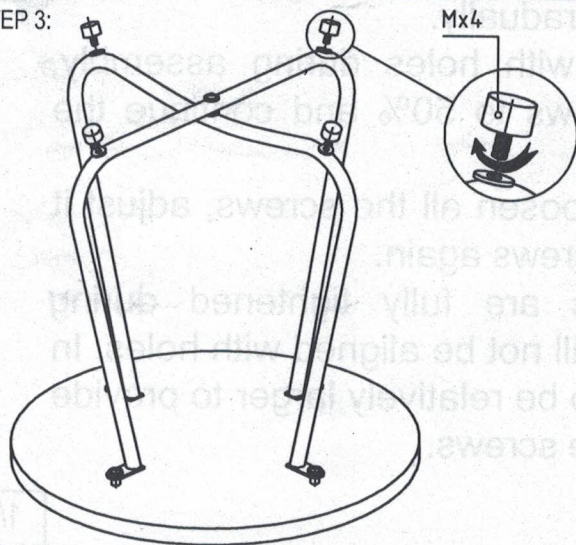
STEP 1:



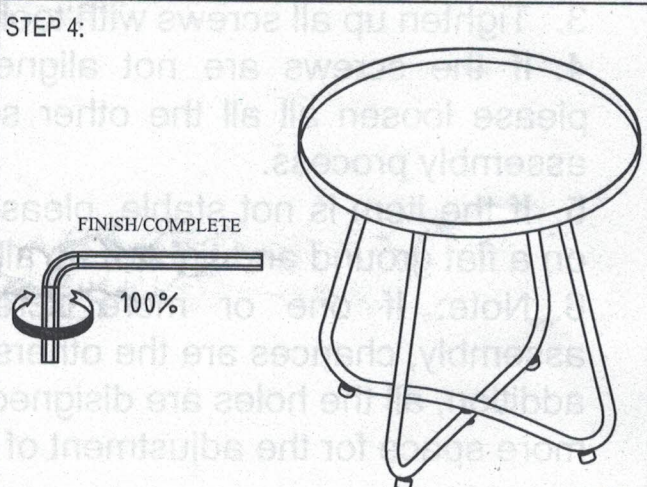
STEP 2:



STEP 3:

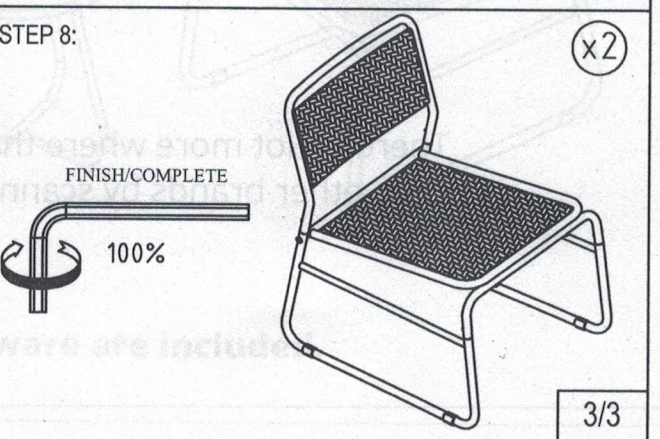
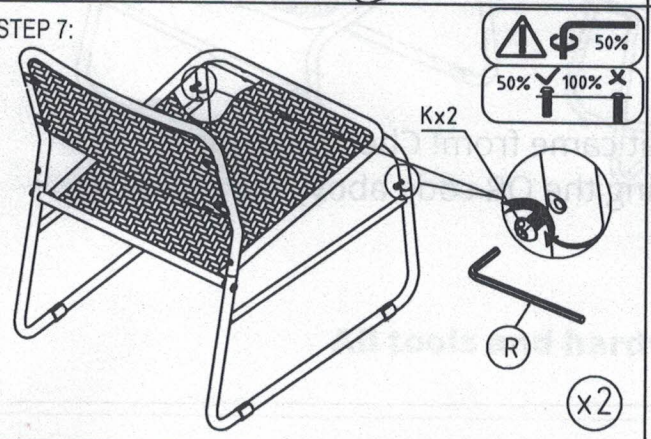
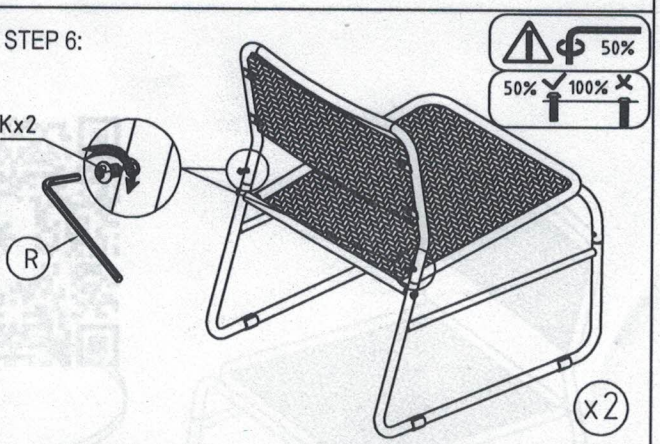
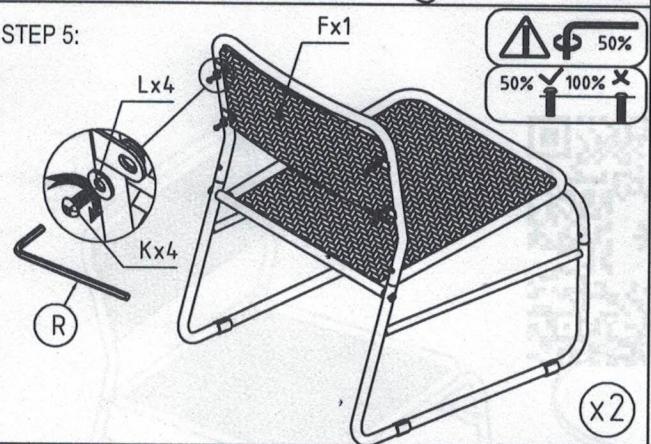
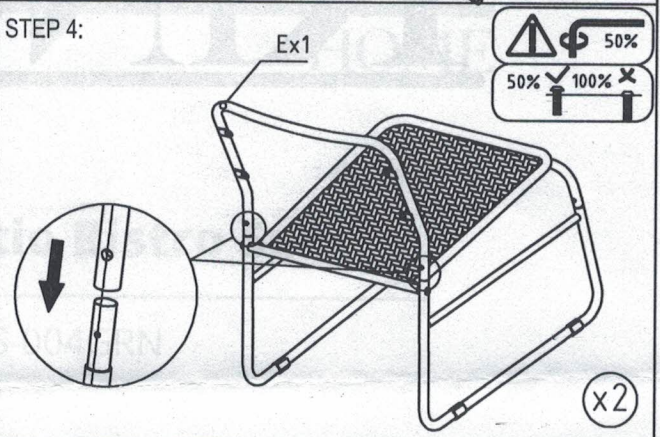
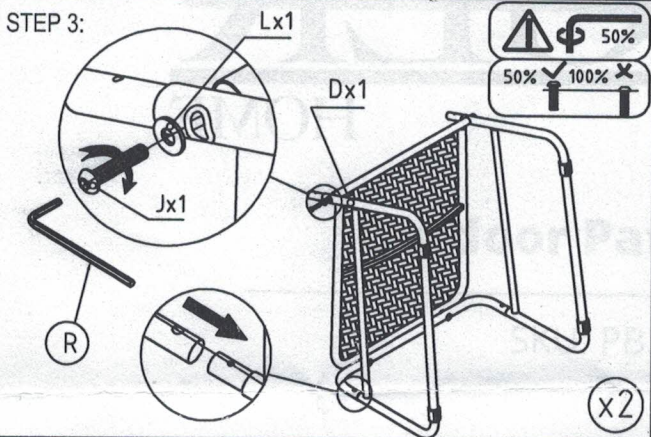
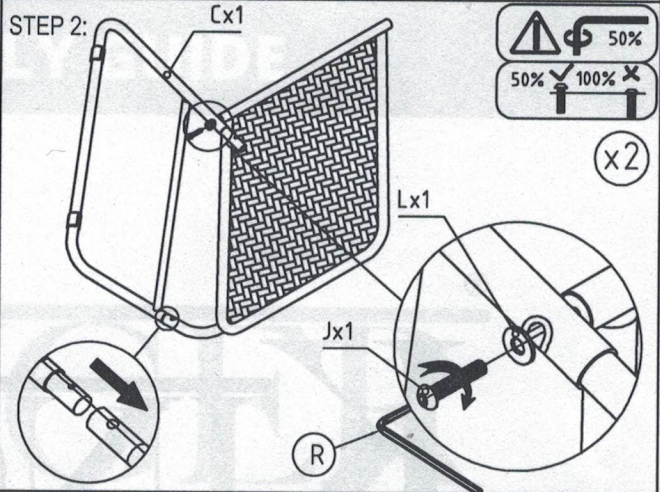
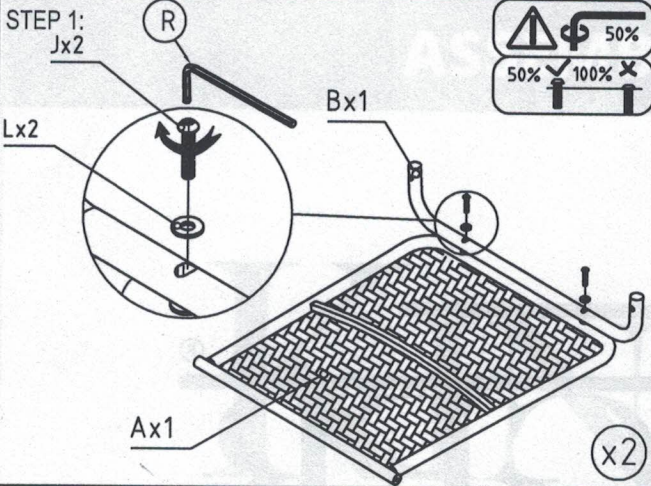


STEP 4:



III - PRODUCT ASSEMBLY: ARMLESSCHAIR

"DO NOT tighten the screws until all of parts set into correct position"



KINGER[®]

HOME



There's a lot more where that came from! Check out our other brands by scanning the QR code above!