

MODEL : DC097-2 DINING CHAIR

ASSEMBLY INSTRUCTIONS

Read this instruction carefully. See hardware and Furniture part list for guidance.
 Be sure all parts are complete, before you assemble. Pace all wooden prevent from being scratched.
 Follow the figure to start assembling.

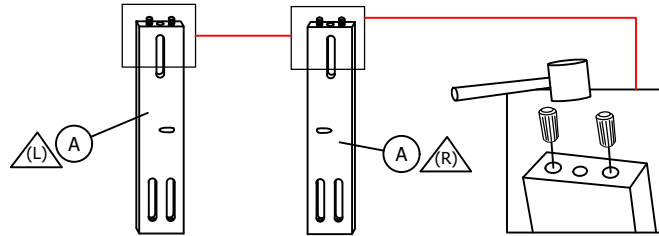
CAUTIONS: 1. Do not FULLY- TIGHTEN the nut or bolt until all nut and bolt is ready assembled.
 2. Do not OVER - TIGHTEN the nut or bolt avoid causing damages to the thread.
 3. Keep all hardware parts out of reach of children.

NOTE: THE LIST AND QUANTITY SHOWN ARE FOR 1 UNIT ASSEMBLY.

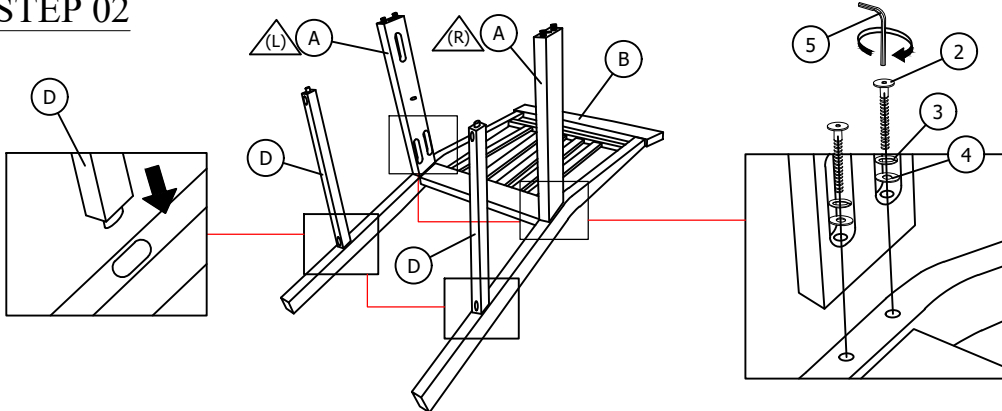
PART LIST			
ITEM	DESCRIPTION		QTY
A	SIDE PANEL (L & R)		2 PCS
B	CHAIR BACK		1 PC
C	FRONT FRAME		1 PC
D	STRETCHER		2 PCS
E	CUSHION SEAT		1 PC

HARDWARE LIST			
ITEM	DESCRIPTION		QTY
1	WOOD DOWEL M8 x 30 MM		4 PCS
2	JCBC SCREW M6 x 50 MM		6 PCS
3	SPRING WASHER M6		6 PCS
4	FLAT WASHER M6 x 13 MM		6 PCS
5	ALLEN KEY M4		1 PC
6	CSK SCREW M4 x 32 MM		7 PCS

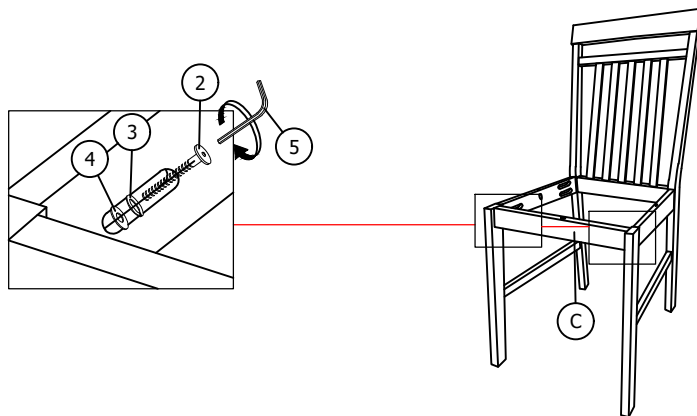
STEP 01



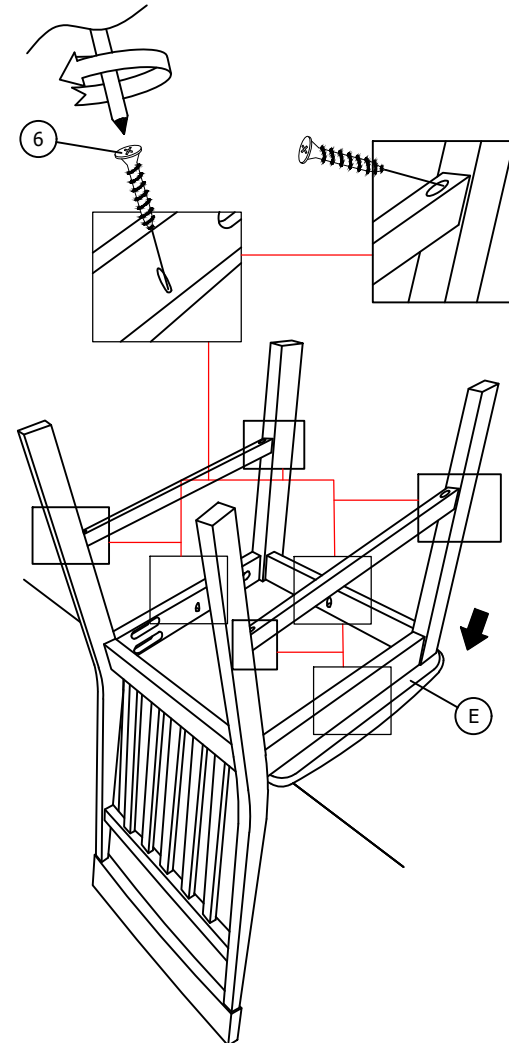
STEP 02



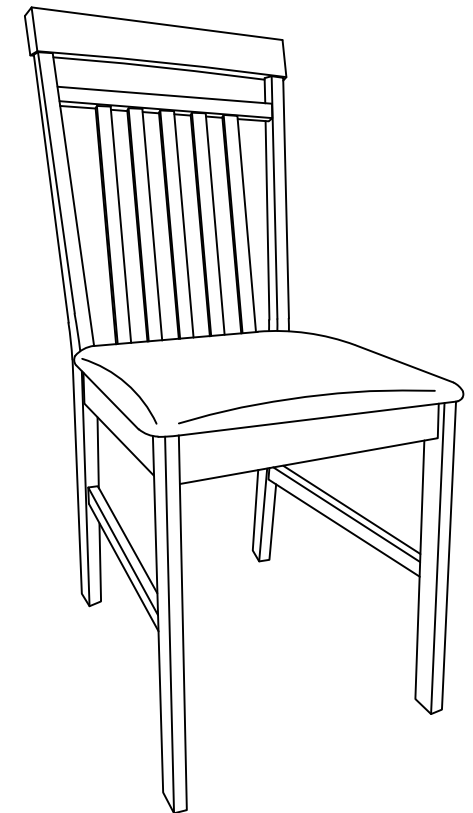
STEP 03



STEP 04



STEP 05



FULLY SET-UP (CHAIR)





Read this instruction carefully. Refer hardware and Furniture parts list for guidance.
 Be sure all parts are complete, before you assembling. Place all wooden furniture part on a clean and flat soft surface to prevent scratches. Refer steps provided as assembling guide.

CAUTIONS:

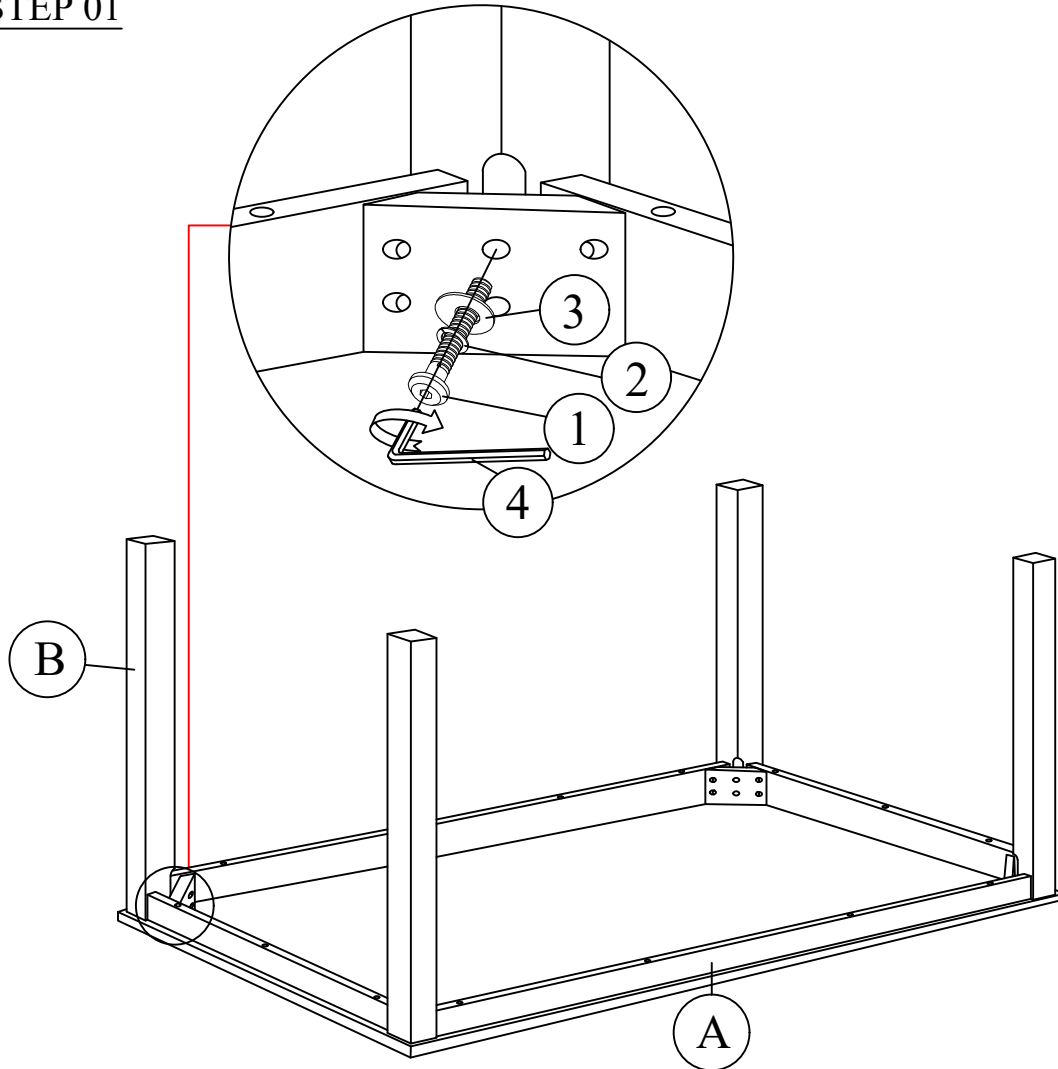
1. Do not FULLY- TIGHTEN the nuts or nut bolts until all nut and nut bolts until all are in place.
2. To prevent thread damage. Ensure that nuts or nut bolts are not over-tighten.
3. Hardware are to be kept out of reach from children.

NOTE: THE LIST AND QUANTITY SHOWN ARE FOR 1 UNIT ASSEMBLY.

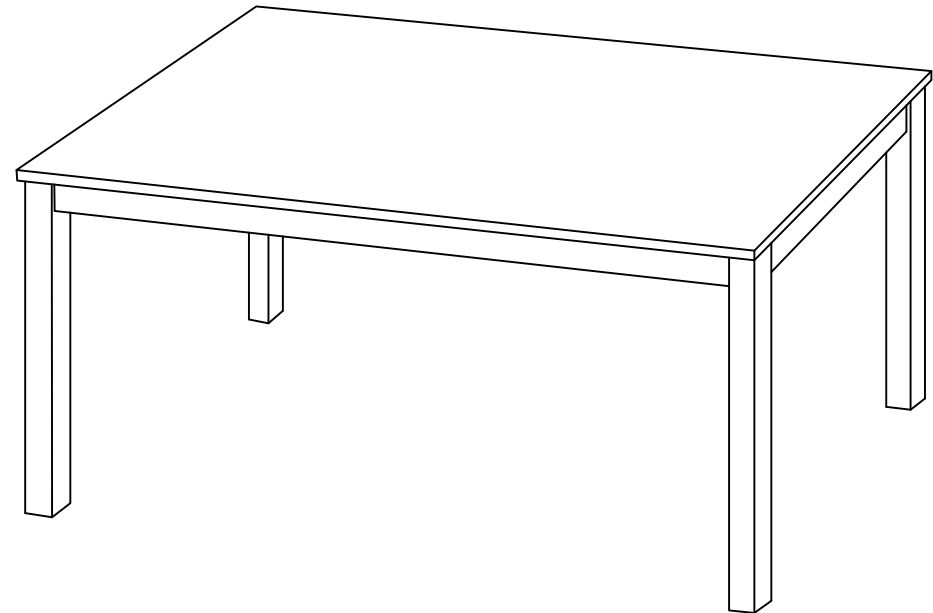
PART LIST		
ITEM	DESCRIPTION	QTY
A	TABLE TOP WITH APRON	1 PC
B	TABLE LEG	4 PCS

HARDWARE LIST		
ITEM	DESCRIPTION	QTY
1	JCBC SCREW M8 x 60mm 	8 PCS
2	SPRING WASHER M8 	8 PCS
3	FLAT WASHER M8 x 22mm 	8 PCS
4	ALLEN KEY M5 	1 PC

STEP 01



STEP 02



FULLY SET-UP (TABLE)