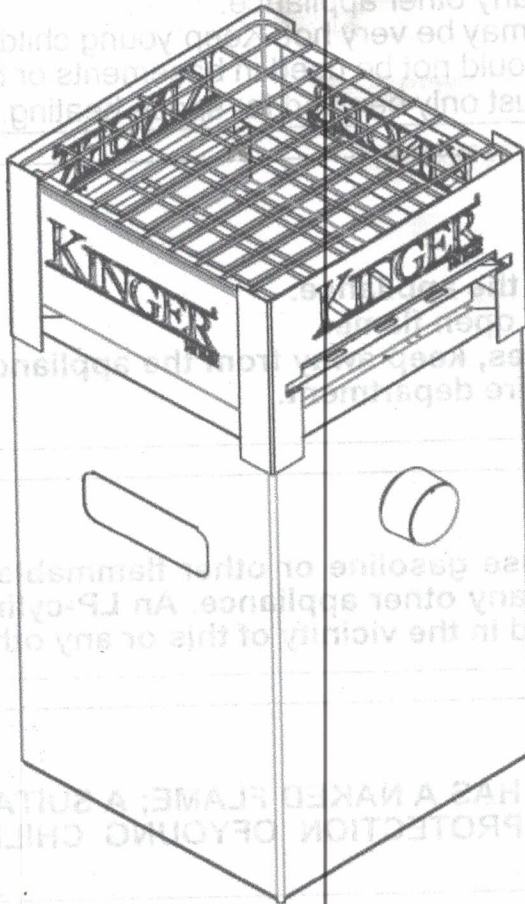


Fire Pit

SAFETY WARNINGS

OWNER'S MANUAL



Warning: For Outdoor use only!

Keep the instruction for future reference!

Read the instructions before installation and use!

GENERAL WARNINGS

FOR OUTDOOR USE ONLY

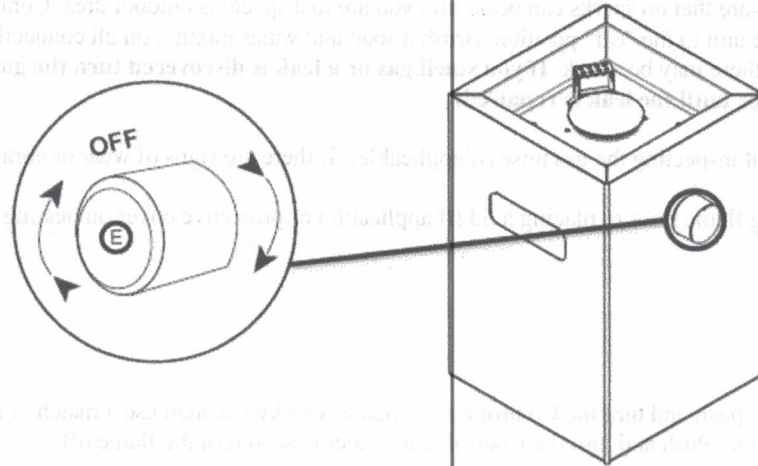
Warning -For your safety

- The installation of this unit must adhere to local codes or either the National Fuel Gas Code, ANSI Z223. 1/NFPA54, OR CAN/CGA-B149.1, National Gas and
- Propane Installation Code.
- **THIS UNIT IS INTENDED FOR OUTDOOR USE ONLY!** This product shall be used outdoors, in a ventilated space and shall not be used in any enclosed area.
- This unit is to be used with propane gas only! (sold separately)
- Do not attach a remote gas supply to this unit.
- Only use propane gas for this unit.
- This unit is not intended for natural gas.
- Converting this unit to natural gas is dangerous and not recommended. The conversion of this unit will void the manufacturer warranty.
- Do not use any solid fuel or charcoal for this unit.
- When igniting this unit, stay away from the burner as the flame will light up and may cause injury.
- **LP GAS WARNING:** Do not use any more than 1/4in depth lava rocks/pumice stones/Lava Glas above the burner holes. Doing so will suffocate the flame.
- If the propane gas tank is leaking gas, you may hear, see, or smell a hiss. Do the following: 1. Disconnect the propane gas tank. 2. Do not attempt to fix the
- problem yourself. 3. Contact your gas supplier or fire department for help.
- Applying too much propane may result in gas pooling and will not burn. Allow fresh air into the unit so that the remaining gas may escape.
- Do not use a flame to check for gas leaks.
- The maximum supply pressure is the bottle pressure.
- This appliance is designed for use with a 16.40Z (1Lb) propane gas cylinder (disposable). You must use a propane tank that has a collar to protect the gas valve.
- The tank system must be set up for vapor withdrawal.
- Discontinue use if any part of the propane tank is damaged. Rust and dents may be hazardous and should be inspected by a gas supplier.
- Do not burn anything other than the provided materials for this fire table.
- Keep away from the unit for the first 20 minutes after igniting your unit for the first time
- injury. Should any rocks pop out, discard them.
- Do not operate unit until all parts are fully assembled.
- Do not paint or color any part of this heating unit.
- Unit may be hot while in use, do not attempt to move it while in use.
- Never leave this heating unit unattended while in use.
- This unit is not intended for cooking.
- Keep any flammable items away and do not use any other fireplace cover for this unit.

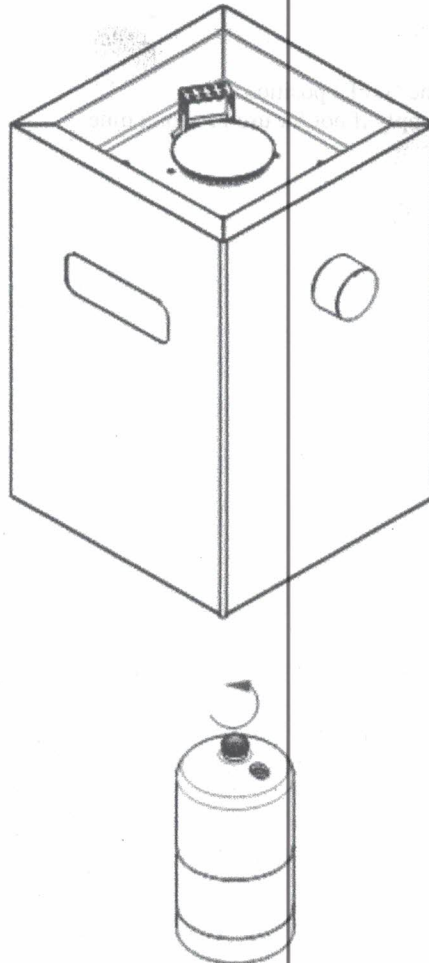
- This heating appliance should not be used on plastic or artificial wood desks.
- NOTE: You must follow all steps to properly assemble this heating item. Make sure the gas valve is turned "OFF" before assembling. Do NOT attempt to assemble without proper tools.
- Allow heating item to cool completely before placing on lid.
- DO NOT use heating item while lid is installed. Always remove the lid while heating item is in use.
- Only use the regulator provided with this unit. Replacement parts must be supplied directly by Bond Manufacturing Co.
- Inspect the burner before use of this unit. If the burner shows any kind of damage, do not operate the appliance. For assistance with repair or replacement of the burner or any other parts, calls Bond Manufacturing at 1.866.771.2663.
- NOTE: You must follow all steps to properly assemble this heating item. Make sure the gas valve is turned "OFF" before assembling. Do NOT attempt to assemble without proper tools.
- Children and adults should be alerted to the hazards of high surface temperatures and should stay away to avoid burns or clothing ignition.
- Young children should be carefully supervised when they are in the area of the appliance.
- Clothing or other flammable materials should not be hung from appliance or placed on, in, or near the appliance.
- This Grill part must be attended at all times!
- This Grill shall be used only outdoors in a well-ventilated space and shall not be used in a building, garage, or any other enclosed area.
- DO NOT add gasoline, kerosene, diesel fuel, lighter fluid or alcohol to relight or enhance flame for the Grill. Excessive heat may damage
- the integrity of the structure. The ONLY method of lighting used for the Grill should be a match or lighter. Do not use any flammable fuels.
- Never use charcoal or any other solid fuel in the Grill Base.
- This Grill base was designed for burning untreated wood ONLY. Do not use with chemically treated fire logs.
- DO NOT pour water into the Grill when it is burning; this may cause rusting.
- Never leave a lighted Grill base unattended.
- DO NOT use under any unprotected combustible structure. Keep combustible surfaces at least one yard away from all sides of the Grill base.
- Protective gloves and long-handled tools are recommended for use with this Grill base

ASSEMBLY INSTRUCTIONS FOR THE GAS FIRE PIT PARTS

1. Make sure gas valve is turned "OFF" before assembling.



2. To attach the gas tank into the fire column, insert tank from bottom and screw into the regulator inlet fitting counter clockwise until hand tight.

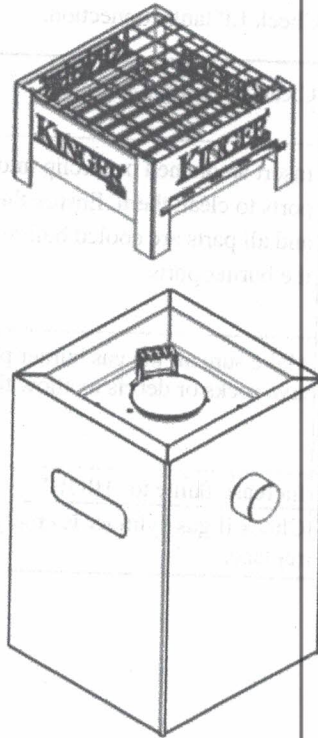


ASSEMBLY INSTRUCTIONS FOR THE GRILL PARTS

TROUBLESHOOTING

1. Put the Grill base with the Baking Tray and Fire bowl (Preassembled) onto the gas fire pit body as below photo.

Warning: Don't put the grill base onto the gas fire pit body unless the gas fire pit body is not in use and cool completely!



OPERATING INSTRUCTIONS

Lighting For the gas fire pit

1. Make sure all debris is removed from the fire bowl (C).
2. Place a layer of dry kindling or a natural fire starter onto the center of the layer baking tray (B).
3. Place on top of the kindling a layer of dry seasoned hardwood that is cut to lengths no more than $\frac{3}{4}$ the width of the fire bowl (C).
4. Use a long match to light kindling.
5. Once the kindling is lit, use the fire poker to adjust your logs.

TURNING OFF

1. Allow fire to burn itself out.
2. Do NOT use water to extinguish as this is dangerous and can cause damage to the fire pit.