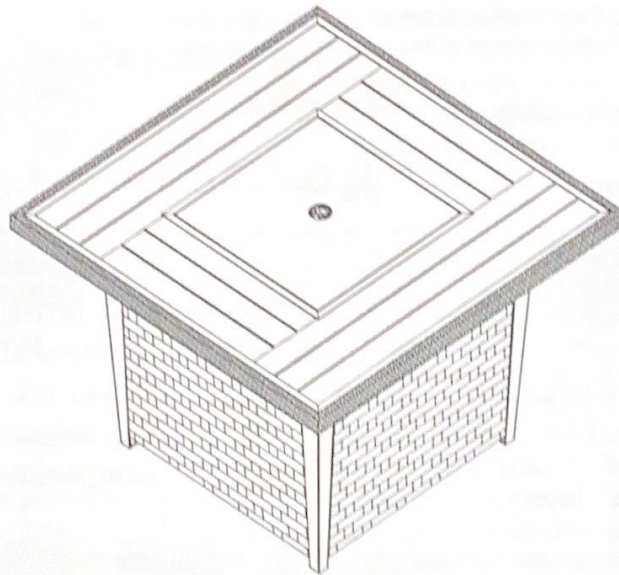


**OWNER'S MANUAL
OUTDOOR GAS FIRE PIT
(BATTERY,NG CONVERSION KIT NOT INCLUDED)
Model: FP-004T / GN2S321E**

IMPORTANT, RETAIN FOR FUTURE REFERENCE:READ CAREFULLY



FOR OUTDOOR USE ONLY.NOT FOR COMMERCIAL USE



SAFETY INFORMATION

Please read and understand this entire manual before attempting to assemble, operate or install the product. This appliance has been tested to and complies with the ANSI Z21.97-2017, Outdoor Decorative Gas Appliances. When connecting to a fixed piping system, The installation must conform to local codes or the absence of local codes to the National Fuel Gas Code, ANSI Z223.1/NFPA 54, National Fuel Gas Code, National Gas and Propane Installation Code, CSA B149.1, or Propane storage and Handling Code, CSA B149.2, as applicable. This manual contains important information about the assembly, operation and maintenance of this fire pit. Keep this manual for future reference and to educate new users of this product. This manual should be read in conjunction with the labeling on the product. Safety precautions are essential when any mechanical or propane fueled equipment is involved. These precautions are necessary when using, storing, and servicing. Using this equipment with the respect and caution demanded will reduce the possibilities of personal injury or property damage. The following symbols shown below are used extensively throughout this manual. Always heed these precautions, as they are essential when using any mechanical or fueled equipment.

⚠ DANGER FIRE OR EXPLOSION HAZARD

- If you smell gas:
- Shut off gas to the appliance.
 - Extinguish any open flame.
 - If odour continues, leave the area immediately
 - After leaving the area, call your gas supplier or fire department.
- Failure to follow these instructions could result in fire or explosion, which could cause property damage, personal injury, or death.

⚠ DANGER

Do not store or use gasoline, or other flammable vapours and liquids in the vicinity of this or any other appliance.
An LP-cylinder not connected for use shall not be stored in the vicinity of this or any other appliance.

⚠ WARNING: For Outdoor Use Only. Installation and service must be performed by a qualified installer, service agency, or the gas supplier.

⚠ DANGER

⚠ DANGER CARBON MONOXIDE HAZARD

This appliance can produce carbon monoxide which has no odor. Using it in an enclosed space can kill you. Never use this appliance in an enclosed space such as a camper, tent or home.



⚠ WARNING

Improper installation, adjustment, alteration, service or maintenance can cause property damage, injury or death. Read the installation, operation and maintenance instructions thoroughly before installing or servicing this equipment.

SAFETY INFORMATION

⚠ DANGER

DANGER indicates an imminently hazardous situation which, if not avoided, will result in death or serious injury.

Failure to comply with the precautions and instructions provided with this fire pit can result in death, serious bodily injury and property loss or damage from hazards of fire, explosion, burn, asphyxiation, and/or carbon monoxide poisoning. Only persons who can understand and follow the instructions should use or service this fire pit.

⚠ DANGER

• EXPLOSION - FIRE HAZARD
• Keep solid combustibles, such as building materials, paper or cardboard, a safe distance away from the fire pit as recommended by the instructions.

• Provide adequate clearances around air openings into the combustion chamber.
• Never use the fire pit in spaces which do or may contain volatile or airborne combustibles, or products such as gasoline, solvents, paint thinner, dust particles or unknown chemicals

• During operation, this product can be a source of ignition. Keep fire pit area clear and free from combustible materials, gasoline, paint thinner, cleaning solvents and other flammable vapors and liquids. Do not use fire pit in areas with high dust content. Minimum fire pit clearances from combustible materials: three (3) feet from the sides & three (3) feet from the rear, six(6) feet from ceiling.

⚠ WARNING

Certain materials or items, when stored under the fire pit, will be subjected to radiant heat and could be seriously damaged.

Alert children and adults to the hazards of high surface temperatures. Stay away from these surfaces to avoid burning skin or igniting clothing.

Carefully supervise young children when in the vicinity of the fire pit.

Do not hang clothing or any other flammable materials from the fire pit, or place on or near the fire pit.

Replace any guard or protective device removed for servicing the appliance prior to placing back in service.

Installation and repair should be done by a qualified service person. The fire pit should be inspected before use and annually by a qualified service person. More frequent cleaning may be required as necessary. It is imperative that the control compartment, burners, and circulating air passageway of the appliance be kept clean.

⚠ WARNING

This product is fueled by propane gas. Propane gas is invisible, odorless, and flammable. An odorant is normally added to help detect leaks and can be described as a "rotten egg" smell. The odorant can fade over time so leaking gas is not always detectable by smell alone.

• Propane gas is heavier than air and leaking propane will sink to the lowest level possible. It can ignite by ignition sources including matches, lighters, sparks or open flames of any kind many feet away from the original leak. Use only propane gas set up for vapor withdrawal.

• Store or use propane gas in compliance with local ordinances and codes or with ANSI/NFPA 58. Turn off propane when not in use.

SAFETY INFORMATION

⚠ WARNING

We cannot foresee every use which may be made of our fire pit. Check with your local fire safety authority if you have questions about fire pit use. Other standards govern the use of fuel gases and heat producing products for specific uses. Your local authorities can advise you about these. If no local codes exist, follow National Fuel Gas Code, ANSI Z223.1. In Canada, installation must conform to local codes. If no local codes exist, follow the current National standards of CANADA CAN/CGA-B 149.2.

⚠ DANGER

Do not store or use gasoline or other flammable vapors and liquids in the vicinity of this or any other appliance. An LP-cylinder not connected for use shall not be stored in the vicinity of this or any other appliance.

Never leave fire pit unattended when hot or in use.

Keep out of reach of children.

⚠ WARNING

Improper installation, adjustment, alteration, service or maintenance can cause property damage, injury or death. Read the installation, operation and maintenance instructions thoroughly before installing or servicing this equipment.

⚠ DANGER

CARBON MONOXIDE HAZARD
This fire pit is a combustion appliance. All combustion appliances produce carbon monoxide (CO) during the combustion process. This product is designed to produce extremely minute, non-hazardous amounts of CO if used and maintained in accordance with all warnings and instructions. Do not block air flow into or out of the fire pit. Carbon Monoxide (CO) poisoning produces flu-like symptoms, watery eyes, headaches, dizziness, fatigue and possibly death. You can't see it and you can't smell it. It's an invisible killer. If these symptoms are present during operation of this product get fresh air immediately!

For outdoor use only.

Never use inside house, or other unventilated or enclosed areas.

This fire pit consumes air (oxygen). Do not use in unventilated or enclosed areas to avoid endangering your life.

⚠ WARNING

Don't burner solid fuels in this appliance

OPERATION CHECKLIST

Operation Checklist

For a safe and pleasurable heating experience, perform this check before each use.

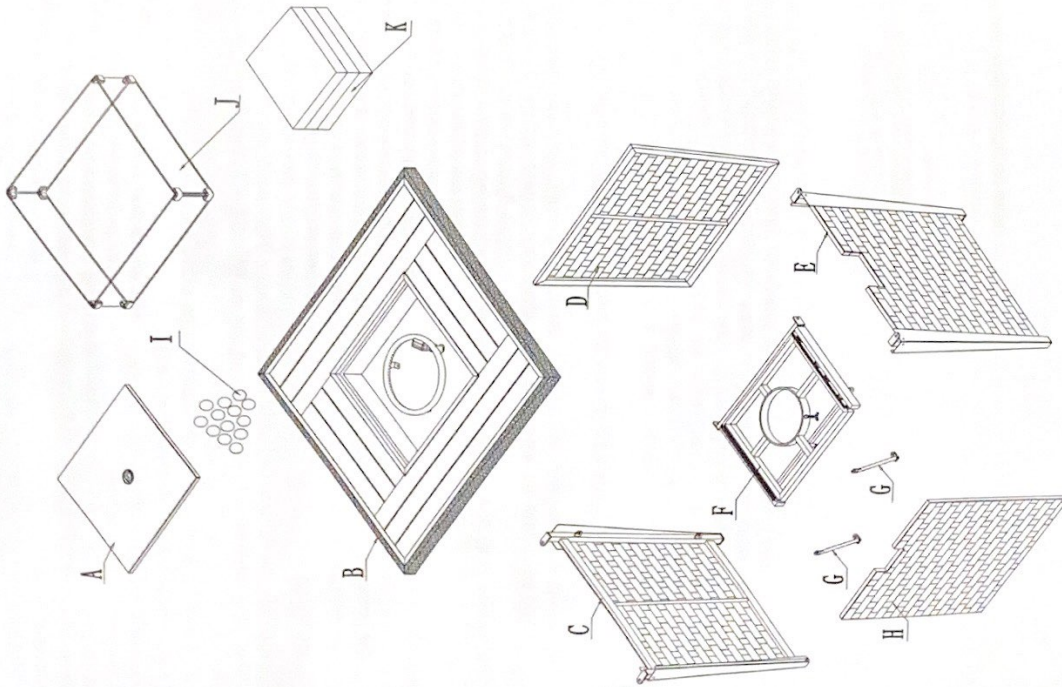
Before Operating:

1. I am familiar with entire owner's manual and understand all precautions noted.
2. All components are properly assembled, intact and operable.
3. No alterations have been made.
4. All gas connections are secure and do not leak.
5. Wind velocity is below 10 mph.
6. Unit will operate at reduced efficiency below 40°F/4.44°C
7. Fire pit is outdoors (outside any enclosure).
8. There is adequate fresh air ventilation. Do not use this appliance if any part has been under water. Immediately call a qualified service technician to inspect the appliance and to replace any part of the control system and gas control which has been under water.
9. Fire pit is away from gasoline or other flammable liquids or vapors.
10. Fire pit is at least 36 in. on rear and at least 36 in. on sides from combustible materials.
11. Fire pit is at least 36 in. on rear and at least 36 in. on sides from combustible materials.
12. Fire pit is on a hard and level surface.
13. There are no signs of spider or insect nests.
14. All burner passages are clear.
15. All air circulation passages are clear.
16. Children and adults should be alerted to the hazards of high surface temperatures and should stay away to avoid burns or clothing ignition.
17. Young children should be carefully supervised when they are in the area of the fire pit.
18. Clothing or other protective material should not be hung from the fire pit, or placed on or near the fire pit.
19. Any guard or other protective device removed for servicing the fire pit must be replaced prior to operating the fire pit.
20. Installation and repair should be done by a qualified service person. The fire pit should be inspected before use and at least annually by a qualified service person.
21. More frequent cleaning may be required as necessary. It is imperative that control compartment, burner and circulating air passageways of the fire pit be kept clean.
22. Do not use this appliance if any part has been under water. Immediately call a qualified service technician to inspect the appliance and to replace any part of the control system and any gas control that has been under water.

After Operation

1. Gas control is in OFF position.
2. Gas Tank valve is OFF.
3. Disconnect LP/NG Gas.
4. After each use, replace cap on tank.

EXPLODED VIEW



PART LIST

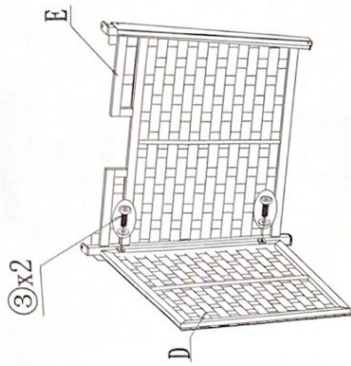
PART NO.	DESCRIPTION	QTY
A	Lid	1
B	Table top	1
C	Table base left side panel	1
D	Table base back panel	1
E	Table base right side panel	1
F	Tank shelf	1
G	Door support	2
H	Door	1
I	Glass beads	8 kgs
J	Glass windshield	1 set
K	Rain Cover	1

SCREW PACKAGE

PART NO.	Description	Picture	QTY
①	Washer		18
②	Screw M6*15mm		2
③	Screw M6*20mm		14
④	Screw M6*35mm		2
⑤	Allen Key		1

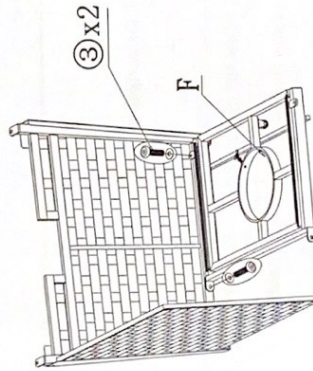
ASSEMBLY INSTRUCTIONS

Step 1



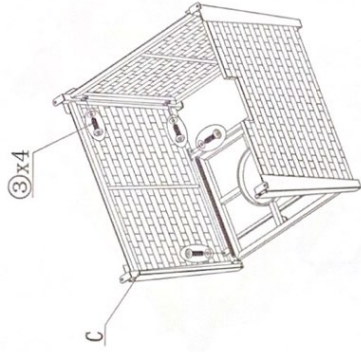
- ① Washer 2PCS
- ③ M6*20 2PCS

Step 2



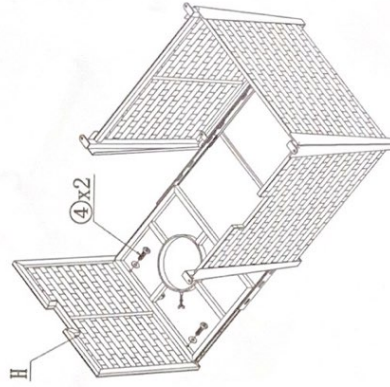
- ① Washer 2PCS
- ③ M6*20 2PCS

Step 3



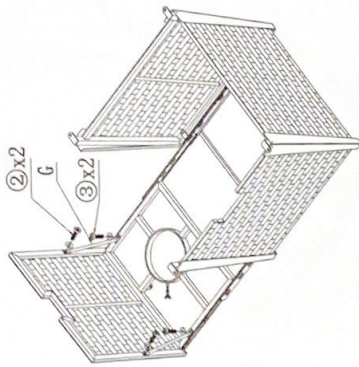
- ① Washer 4PCS
- ③ M6*20 4PCS

Step 4



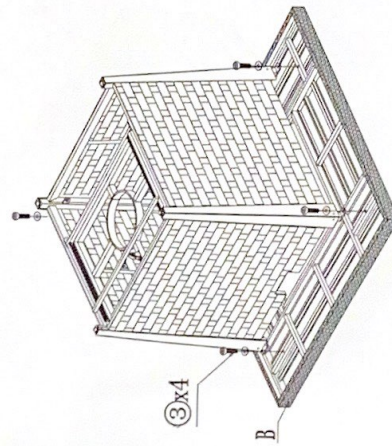
- ① Washer 2PCS
- ④ M6*35 2PCS

Step 5



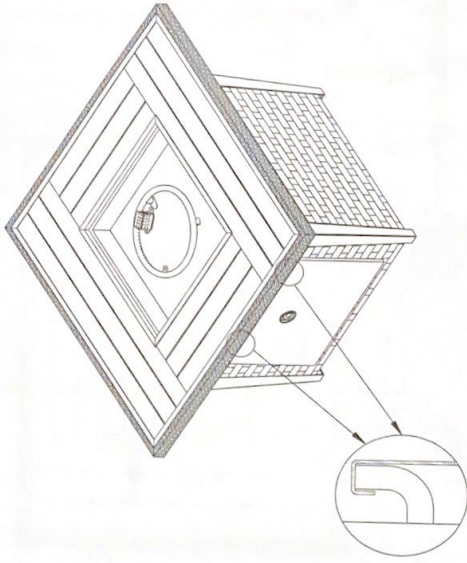
- ① Washer 4PCS
- ② M6*15 2PCS
- ③ M6*20 2PCS

Step 6

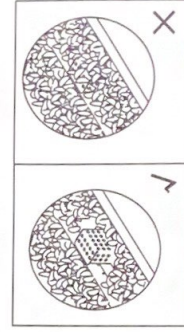
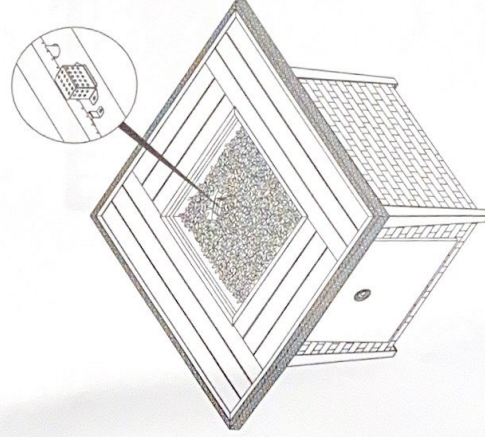


- ① Washer 4PCS
- ③ M6*20 4PCS

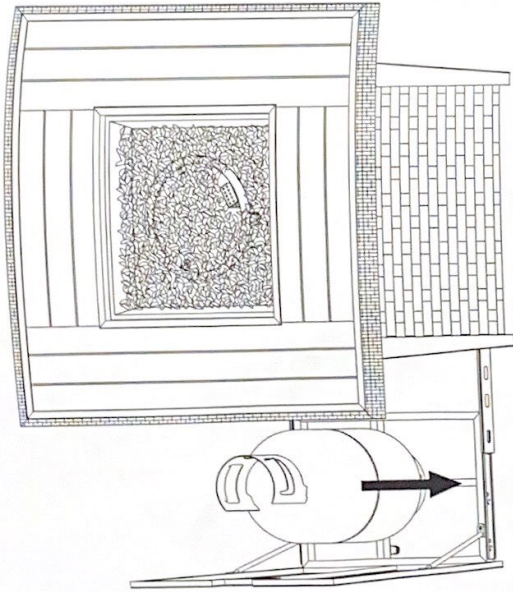
Step 7



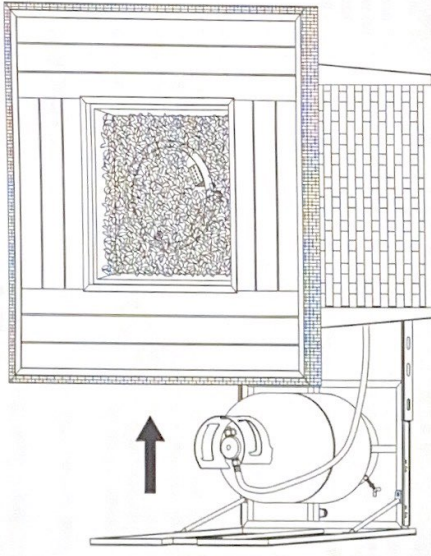
Step 8



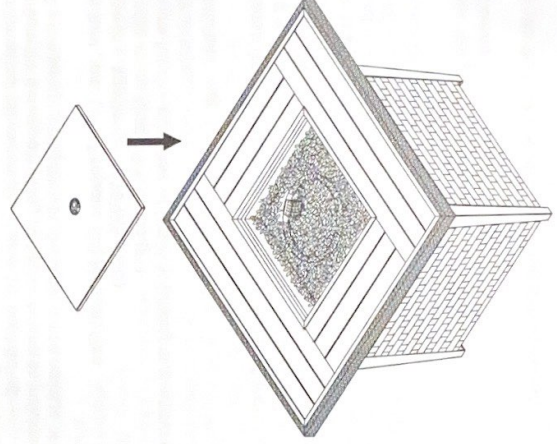
Step 9



Step 11

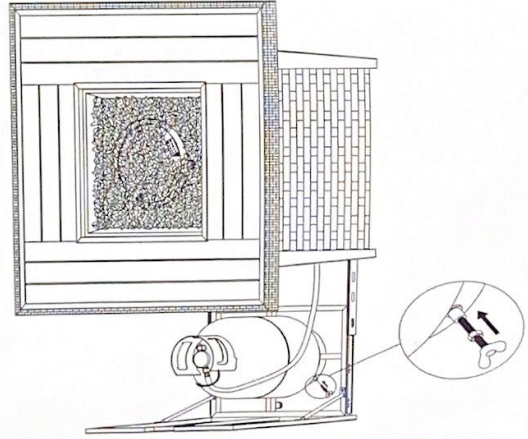


Step 12



Ste

Step 10



INSTALLING LP GAS TANK

Connect LP Gas Tank

Before connecting, be sure that there is no debris caught in the head of the LP gas tank, head of the regulator valve or in the head of the burner and burner ports.

Connect regulator/hose assembly to tank by turning knob clockwise stops.

Disconnect LP Gas Tank

Before disconnecting make sure the LP gas tank valve is "CLOSED".
Disconnect regulator/hose assembly from LP gas tank by turning knob counterclockwise until it is loose.
Caution: LP gas tank must be properly disconnected and removed prior to moving this pit.

Connect NG

1. A professionally-installed shut-off valve between the supply piping and the socket is recommended, but not required, by the National Fuel Gas Code. Socket connection must be made outdoors.
2. Coat the gas supply pipe nipple with gas resistant pipe dope or approved teflon tape. Screw socket onto gas supply pipe (house gas source), and wrench-tighten.
3. Pull back the sleeve on the quick disconnect socket and insert the unattached end of the gas hose into the socket. Release the sleeve and continue pushing the hose into the socket until the sleeve snaps into the locked position.
4. When the quick disconnect socket and the gas hose are connected, a valve in the socket opens automatically to permit full gas flow. When the gas hose is disconnected, the valve in the socket instantly and positively shuts off the flow of gas, the grill can be disconnected from the gas source by disconnecting the gas hose from the quick disconnect socket. The socket should be left attached to the gas source (hose piping).

Disconnect NG

With proper assembly, the gas hose cannot be removed without pushing the quick disconnect sleeve back. To disconnect, push sleeve back and pull plug out of sleeve (this automatically shuts off gas).
The appliance and its individual shut off valve must be disconnected from the gas supply piping system during any pressure testing on that system at test pressures in excess of 1/2 psi(3.5kPa).
The appliance must be isolated from the gas supply piping system by closing its individual manual shutoff valve during any pressure testing of the gas supply piping system at test pressures equal to or less than 1/2psi(3.5kPa).

This appliance can use two fuel gas: LPG-Propane OR Natural Gas

Suitable LP gas tank size for this appliance is 20IB(9.1KG)

Do not fill the LP gas tank with more than 80% liquid gas

The in let gas supply pressure for the purpose of input adjustment pressure:

LPG-Propane 11" in w.c.(2.74kPa)

Natural Gas 7" in w.c.(1.74kPa)

The appliance must be isolated from the gas supply piping system by closing its individual manual shutoff valve during any pressure testing of the gas supply piping system at test pressures equal to or less than 1/2psi (3.5kPa)

The LP-gas supply cylinder to be used must be: constructed and marked I accordance with the U.S. Department of Transportation (D.O.T.) Specifications for LP-Gas Cylinders. Provided with a listed overfilling prevention device, and provided with a cylinder connection device compatible with the connection for the appliance.

WARNING: Make sure LP gas tank valve is closed.
Close by turning valve clockwise.

Place the LP gas tank upright into the tank tray and secure the tank by screw.

LEAK TESTING

WARNING: Before using this outdoor fire pit, make sure you have read, understand and are following all information provided in the Dangers and Warnings. Failure to follow those instructions can cause death, serious injury or property damage.

WARNING Never use your fire pit without leak testing all gas connections, hoses and propane tank.

DANGER To prevent fire or explosion hazard:

- DO NOT smoke or permit ignition sources in the area while conducting a leak test.
- Perform test OUTDOORS in a well-ventilated area that is protected from the wind.
- Never perform a leak test with a match or open flame.
- Never perform a leak test while the fire pit is in use or while the fire pit is still hot.

WHEN TO PERFORM A LEAK TEST:

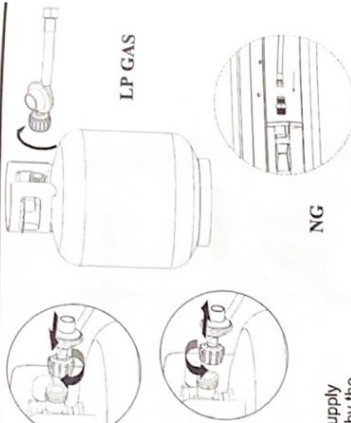
- After assembling your fire pit and before lighting for the first time, even if purchased fully-assembled.
- Every time the LP gas cylinder is refilled, exchanged or if any of the gas components are disconnected or replaced.
- Any time your fire pit has been moved.
- At least once per year or if your fire pit has not been used for more than 60 days.

CAUTION Strong odors, clogs, sinus congestion, etc. May prevent the detection of propane by smell. Use caution and common sense when testing for leaks.

Note: The leak test must be performed in an area that has adequate lighting in order to see if bubbles are developing and not in a windy or noisy area so larger leaks can be detected by smell or sound.

1. Create a mixture of 50% water and 50% liquid dishwashing soap.
2. Ensure all control knobs are set to the "OFF" position.
3. Turn on the gas at the cylinder valve. Turn the cylinder valve knob counter-clockwise until fully opened. If you hear a rushing sound or smell gas, turn the gas off. Tighten any leaking connections. If leak is detected at connection nut and tightening does not stop leak, re-inspect propane tank rubber seal.
4. Apply the soapy water mixture to the following:
 - A Supply tank(cylinder) welds.
 - B Connection nut to tank valve.
 - C Back side of connection nut to brass nipple.
 - D Brass nipple connection into regulator.
 - E Regulator connections to gas supply hoses.
 - F Hose connection to gas manifold.
 - G The full length of gas supply hose.
 - H Tank valve to cylinder.
5. Check each place listed(A-H) for growing bubbles, which indicates a leak. Large leaks may not be detected by bubbles but should produce a rushing sound or gas smell.
6. Turn off gas supply at cylinder valve.
7. Turn on control knobs to release gas pressure in hose.
8. Turn control knobs to "OFF" position.
9. Tighten any leaking connections. If leak is detected at connection nut and tightening does not stop leak, re-inspect propane tank rubber seal.
10. Repeat soapy water test until no leaks are detected.
11. Turn off gas supply at cylinder valve until you are ready to use your fire pit.
12. Wash off soapy residue with cold water and towel dry.

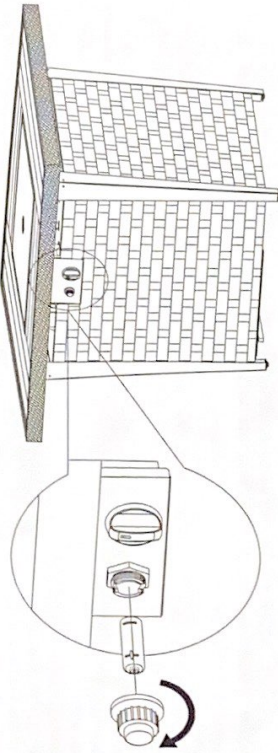
CAUTION: Natural Gas leak testing is similar to LP Gas leak testing, the different is you need to apply the soapy water mixture to the gas supply pipe nipple.



BATTERY INSTALLATION

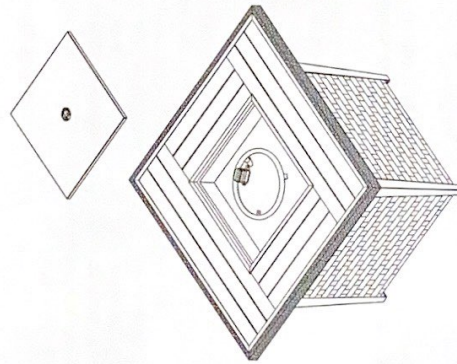
1 x AAA Battery (Battery not included)

Put correct Battery in before use.

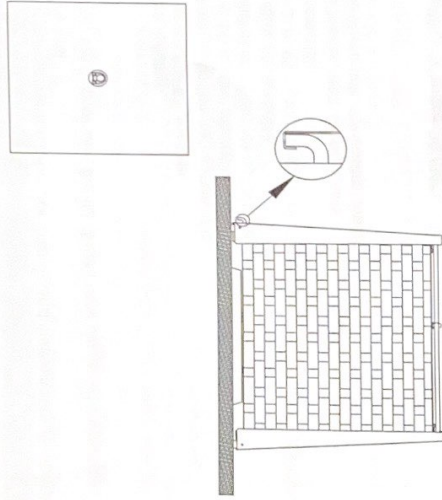


STORAGE FOR TABLE COVER

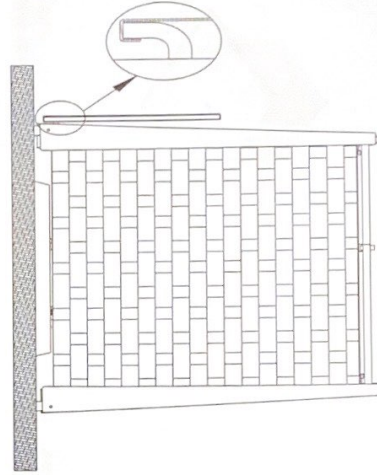
Step 1



Step 2



Step 3



LIGHTING INSTRUCTIONS

Caution: Keep outdoor gas cooking appliance area clear and free from combustible materials, gasoline and other flammable vapors and liquids.

Caution: Do not obstruct the flow of combustion and ventilation air.

Caution: Check and clean burner/venturi tubes for insects and insect nests. A clogged tube can lead to a fire beneath the grill.

Caution: Attempting to light the burner with the lid closed may cause an explosion.

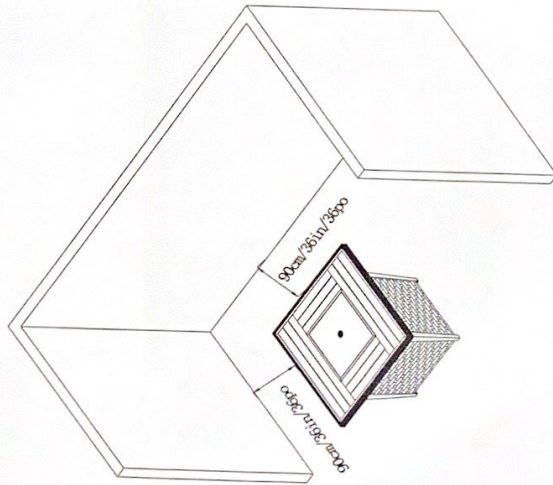
Lighting

1. Read instructions before lighting.
2. Control knob must be in the "OFF" position.
3. Connect propane cylinder/open the gas supply line.
4. Push and turn control knob counter clockwise to "LOW". Hold the knob, until the flame doesn't go out.
5. Press the IGNITION button and hold for up to 5 seconds to light burner.
6. Release control knob after 45 seconds.
7. If ignition does not occur in 45 seconds, push and turn burner control knob to "OFF" wait 5 minutes, and repeat lighting procedure.
8. If igniter does not light burner, use a long match or long butane lighter.
9. Adjust flame to desired flame with the control knob.

Minimum clearance: Top: 6 Ft. (72") Sides: 3 ft. (36")

Minimum clearance from sides and back of unit to adjacent combustible construction below top of unit, 36 inches from sides 36 inches from back.

CAUTION: 20lb LP cylinder only.



TROUBLESHOOTING

PROBLEM	POSSIBLE CAUSE	CORRECTIVE ACTION
Burner won't light	Propane cylinder is empty Blockage in orifice Control knob is not in ON position	Replace propane cylinder Clear blockage Turn control knob to ON
Burner flame is low	Gas pressure is low Outdoor temperature is less than 40°F and tank is less than 1/4 full Control knob fully ON	Turn cylinder valve OFF and fill the cylinder Use a full cylinder Check burner and orifices for blockage
Carbon build-up	Dirt or film on reflector and burner screen	Clean reflector and burner screen
Thick black smoke	Blockage in burner	Remove blockage and clean burner inside and outside

CALIFORNIA PROPOSITION 65

WARNING: This product can expose you to Carbon monoxide, which is known to the State of California to cause birth defects or other reproductive harm. For more information go to www.P65Warnings.ca.gov

CARE AND MAINTENANCE

CAUTION: All cleaning and maintenance should be done when fire pit is cool and with the fuel supply disconnected.

1. DO NOT clean any outdoor fire pit part in a self cleaning oven. The extreme heat will damage the finish.
2. Do not enlarge valve orifices or burner ports when cleaning the valves or burners.

Notices

1. This outdoor fire pit should be thoroughly cleaned and inspected on a regular basis.
2. Abrasive cleaners will damage this product.
3. Never use oven cleaner to clean any part of outdoor fireplace.

Before Each Use

1. Keep the outdoor fire pit area clean and free from any combustible materials, gasoline, and other flammable vapors and liquids.
2. Do not obstruct the flow of the combustion of LP and the ventilation air.
3. Keep the ventilation opening of the LP gas tank area free and clear from debris.
4. Visually check the burner flames to make sure your outdoor fire pit is working properly.
5. See sections below for proper cleaning instructions.
6. Check all gas connections for leaks.
7. Check components for any signs of damage or rust.
8. Check and clean the burner/venturi tubes for insects and insect nests. A clogged tube can lead to a fire beneath the outdoor fire pit.
9. If damage to any component is detected, do NOT operate until repairs are executed.

Cleaning Surfaces

1. Wipe surfaces clean with mild dishwashing detergent or baking soda mixed with water.
2. For stubborn surfaces use a citrus based degreaser and a nylon scrubbing brush.
3. Rinse clean with water.
4. Allow to air dry.

Storage

Between uses:

- Turn Control Knob OFF.
 - Disconnect LP source.
 - Store fire pit upright in an area sheltered from direct contact with inclement weather (such as rain, sleet, hail, snow, dust and debris).
 - If desired, cover fire pit to protect exterior surfaces and to help prevent build-up in air passages.
- Note:** Wait until fire pit is cool before covering.

During periods of extended inactivity or when transporting:

- Turn Control Knob OFF.
 - Disconnect LP source and move to a secure, well-ventilated location outdoors.
 - Store fire pit upright in an area sheltered from direct contact with inclement weather (such as rain, sleet, hail, snow, dust and debris).
 - If desired, cover fire pit to protect exterior surfaces and to help prevent build-up in air passages. Never leave LP cylinder exposed to direct sunlight or excessive heat.
- Note:** Wait until fire pit is cool before covering.

Before each use of appliance, inspect the hose and make sure to properly locate the gas. Always inspect the hose for evidence of excessive abrasion, cuts or wear prior to use, and make sure to leak test. The hose assembly must be replaced prior to the appliance being put into operation if there is evidence of excessive abrasion or wear or if the hose is damaged. The replacement hose assembly shall be that specified by the manufacturer.

ASSEMBLY GLASS WINDSHIELD

