

## Using cable barrel on DexTrolley

### Step 1: Unfolding DexTrolley



In order to use the trolley 1<sup>st</sup> step is to unfold back rest, and fix it in place using parking nut on trolley.

After back rest is fixed in place, extend telescopic handle.

### Step 2: Taking off cross bar



Locking mechanism must be opened in order to take off cross bar from trolley. To do so, the locking gates must be flipped as shown

### Step 3: Securing cross bar to barrel



Put the cross bar through the barrel, add cups and tighten against drum, use Allen key to secure in position.

Before securing barrel on trolley make sure that the cable will be pulled towards oneself.

## Step 4: Securing barrel on DexTrolley



To avoid manual lifting of the drum rotate the trolley, and slide locking mechanism on to the cross bar which is secured on the drum as shown.



Rotate the trolley back into its up-right position. Locking mechanism is now engaged, locking cable drum in position.

## Step 5: Adjusting brake



Lift the brake teeth.



Place the brake pad against the barrel, make sure contact is achieved.



Fix the brake pad with brake teeth in order to have desired friction between brake pad and barrel.

## Step 6: Dispensing and moving cable drum



After brake had been adjust to desired friction, cable can be dispensed from barrel. Make sure to pull cable towards back feet for more stability.



With extended handles trolley can be moved around with ease. While moving trolley make sure the brake is engaged to stop unnecessary uncoiling.

## Step 7: Taking off drum after use



To take off the drum from the trolley, locking mechanism has to be in the opened position (ref. step 2). Rotate trolley forward and slide drum off the trolley as shown.

## Step 8: Collapsing DexTrolley



After use, the trolley can be folded back into its collapsed position. Push telescopic handle back into frame.



To fold back rest, place your feet against trolleys rubber feet and pull both parking nuts outwards simultaneously. Subsequently, pull the trolley frame together.

## Using small cable barrel on DexTrolley

### Step 9: Securing drum on to a DexTrolley



Put the cross bar through the barrel, add cups and tighten against drum, use Allen key to secure in position.

Lift and place cable drum into locking mechanism of trolley. Due to lighter weight, manual loading is acceptable.

### Step 10: Adjusting brake



Lift the brake teeth.



Place the brake pad against the barrel, make sure contact is achieved.



Fix the brake pad with brake teeth in order to have desired friction between brake pad and barrel.

## Step 11: Dispensing and moving cable drum



After brake had been adjust to desired friction, cable can be dispensed from barrel. Make sure to pull cable towards back feet for more stability.



With extended handles trolley can be moved around with ease. While moving trolley make sure the brake is engaged to stop unnecessary uncoiling.

## Step 12: Taking off smaller drum



To take off the smaller drum from the trolley, locking mechanism has to be in opened position (ref. step 2).



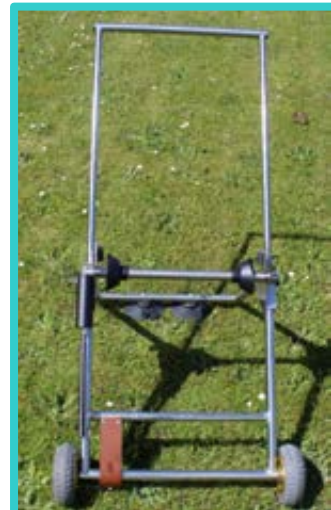
Manually lift the drum out of locking mechanism.



## Data sheet



Extended side view of DexTrolley



Extended top view of DexTrolley



Collapsed side view of DexTrolley



Collapsed top view of DexTrolley

**Innovative design product, which is highly mobile and compact allows complete control of cable drum when uncoiling, due to effective braking system.**

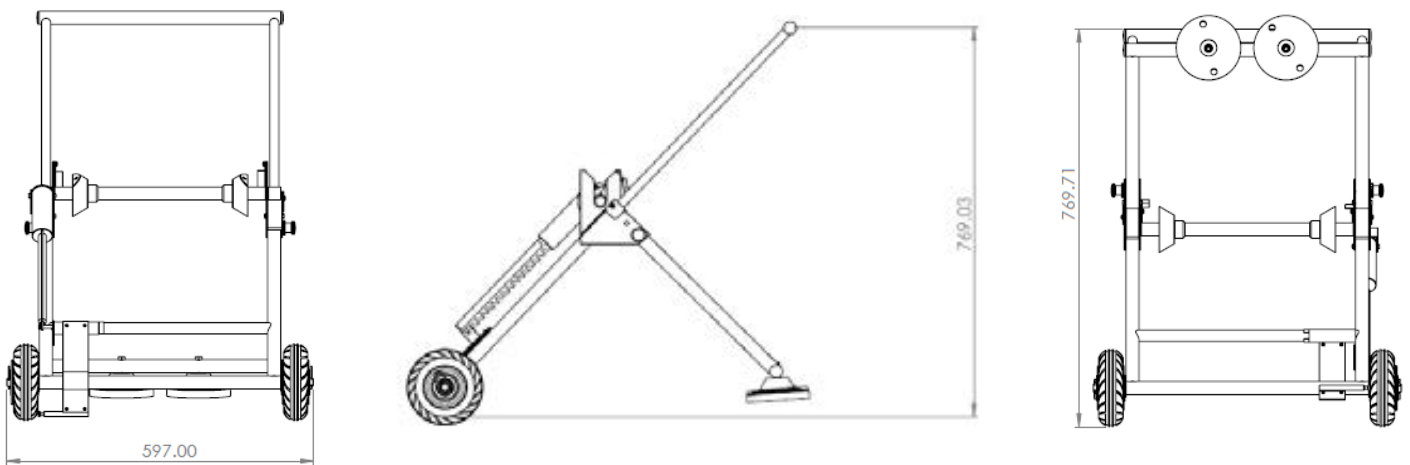
### DexTrolley Features:

1. Compact & lightweight design
2. Collapsible design for easy storage
3. Multiple drum diameter size compatible (350-600mm)
4. Robust adjustable braking system
5. Leather brake pad allows effective plastic & wooden drum braking
6. Adjustable telescopic handle
7. Heavy drums easily loaded without manual lifting of operator
8. One-way drum locking mechanism keeps cable reel securely in position
9. Rubber feet stops prevent trolley movement on all terrain
10. Large surface area wheels prevent sink-age of heavy reels
11. Compatible with a range of drum widths using adjustable barrel shaft cups

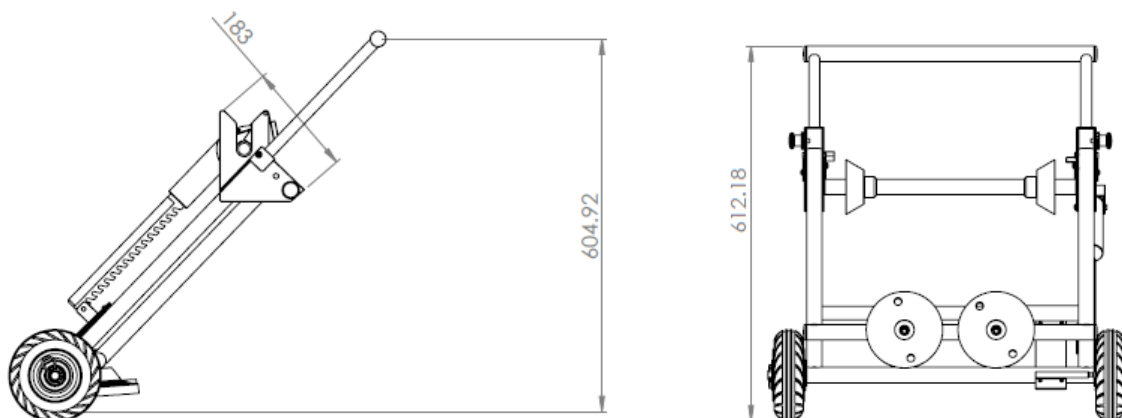
## DexTrolley recommended guidelines

1. DexTrolley is made from stainless steel, which makes it robust, durable and is fit for recommended use.
2. Maximum recommended load capacity of DexTrolley is 35kg.
3. Appropriate applications for DexTrolley is to: **Load** cable drums from 350 to 600mm diameter.  
**Dispense** cable from previously outlined cable drum specifications.  
**Move** outlined cable drum specifications safely.
4. DexTrolley is designed for everyday normal use. Using DexTrolley outside recommended applications may result in failure.
5. Refer to DexTrolley instructions for further information in regards to correct usage of the product.

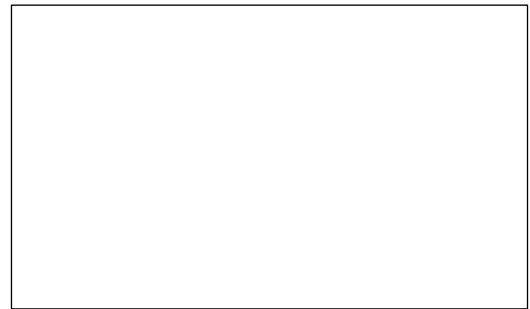
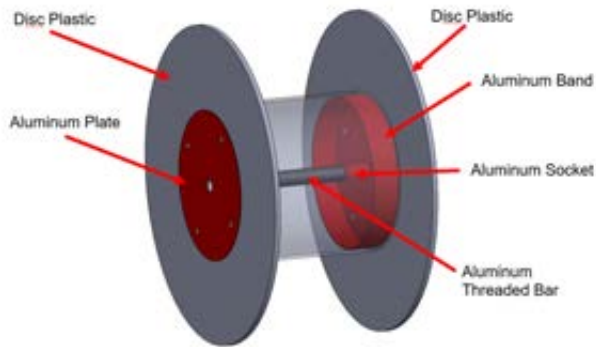
## Dimensions of extended DexTrolley



## Dimensions collapsed DexTrolley



## Dexgreen reusable reel



## Instructions

