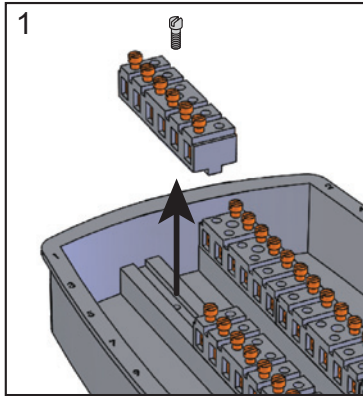
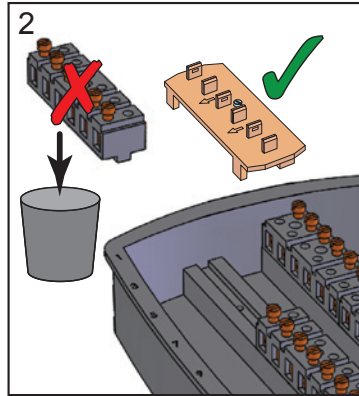


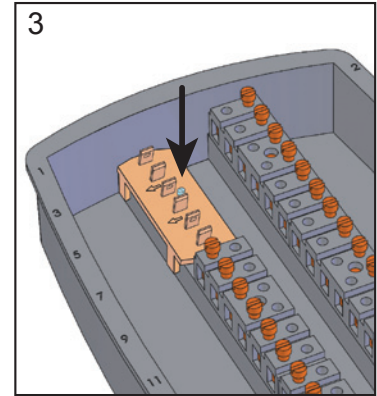
## DEX BT41 Installation Instructions



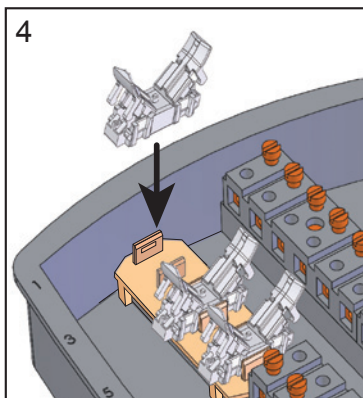
1 Remove old 2 or 3 way screw insert



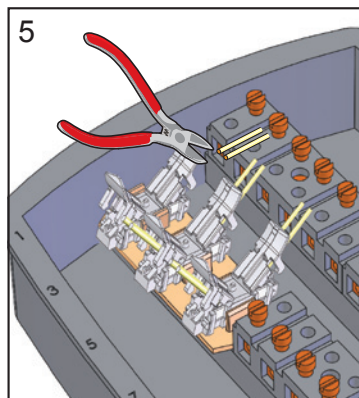
2 Replace the 2 or 3 way screw inserts with a 2 or 3 way management cradle



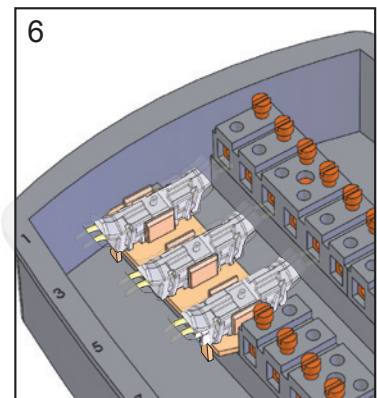
3 Insert new 2 or 3 way cradle in position - Ensure Arrow points outwards. Screw down



4 Insert in-line connectors to cradle



5 Cut the pair of wires flush before inserting in to the open flapper paddles



6 Push down paddles to make IDC termination