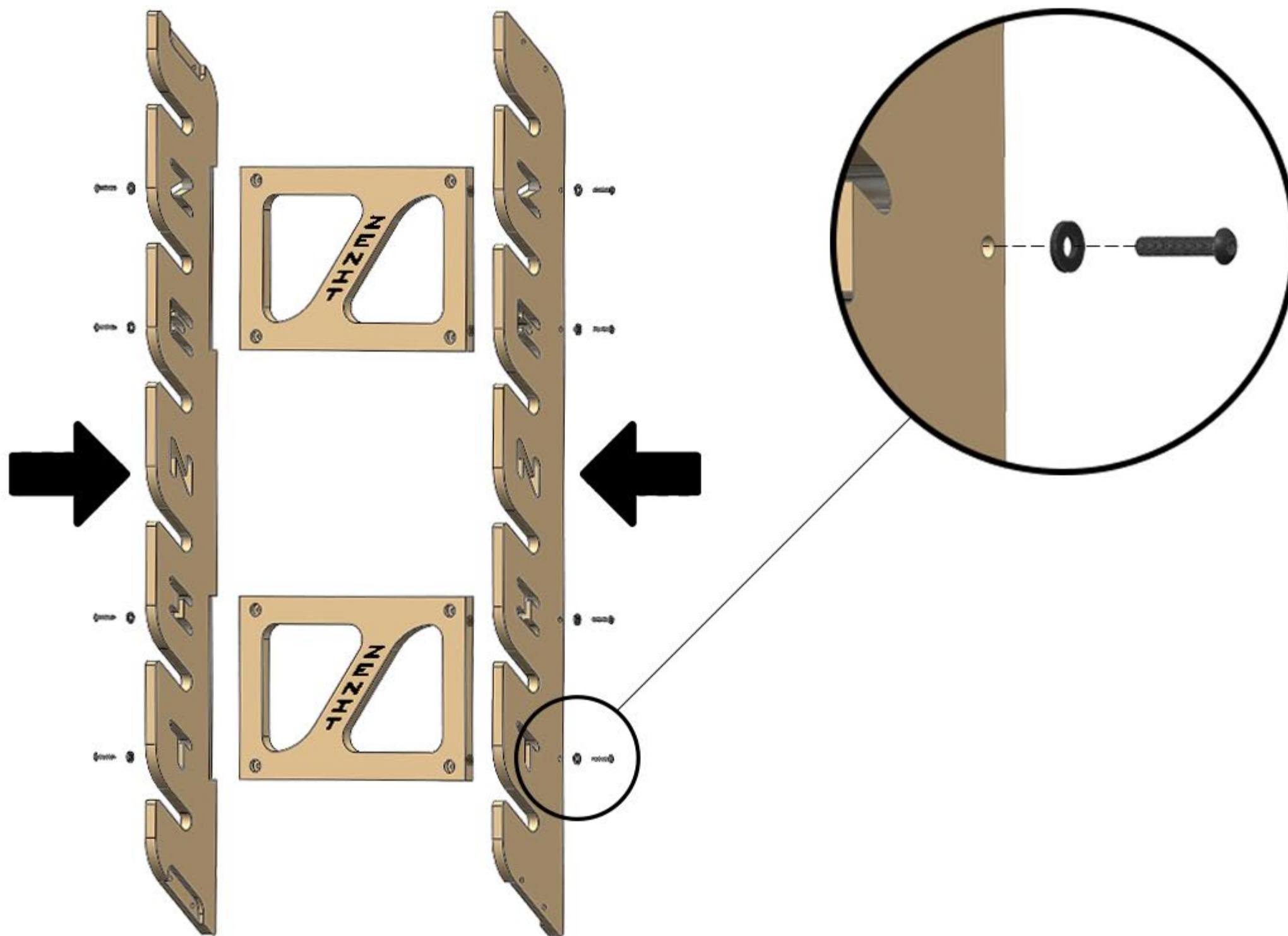


# **ZENIT RACK - ASSEMBLY GUIDE**

**All you need is a skate tool.**

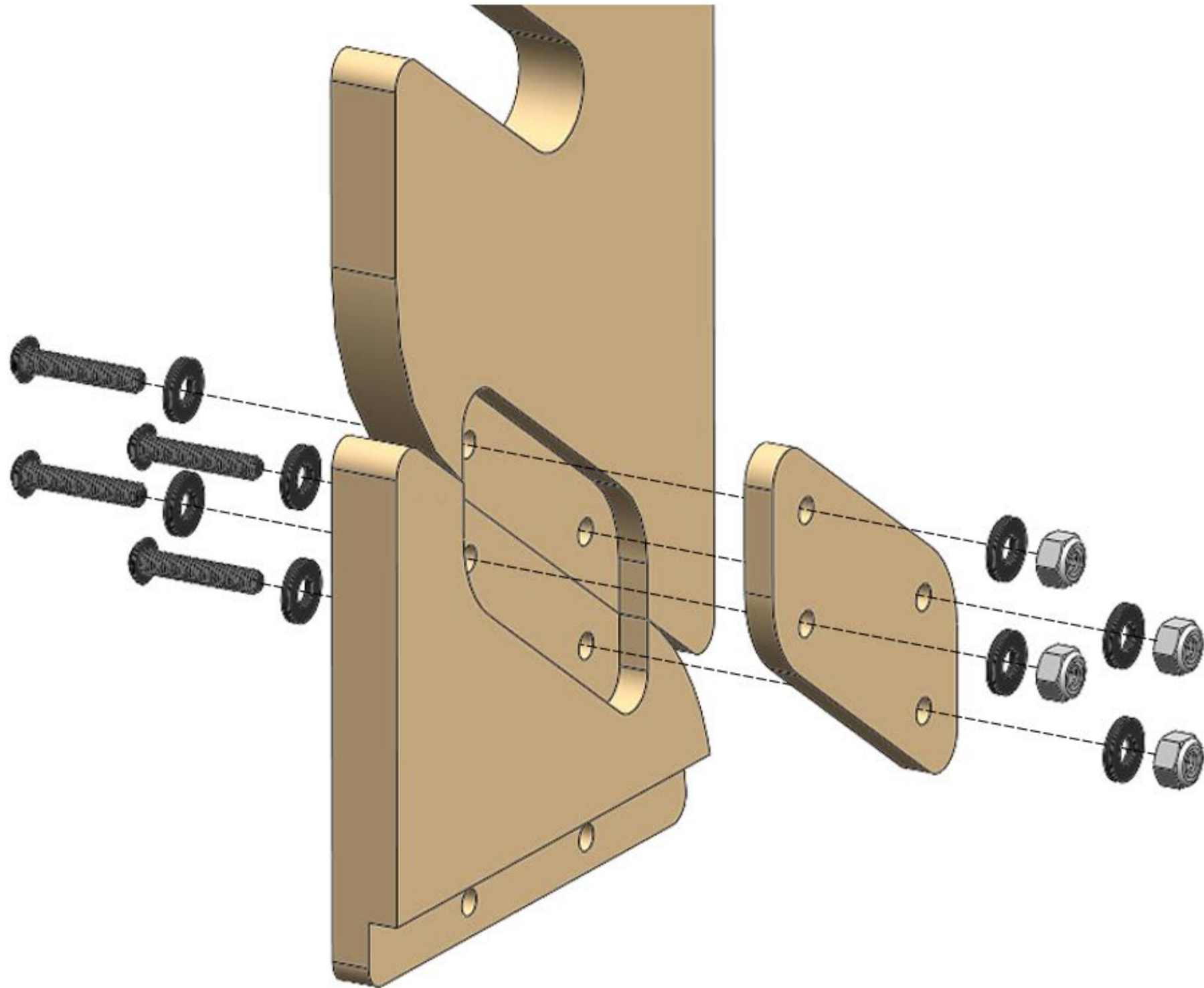
# STEP 1 - ZENIT RACK

Perform the same procedure if you are assembling a 3-board rack.



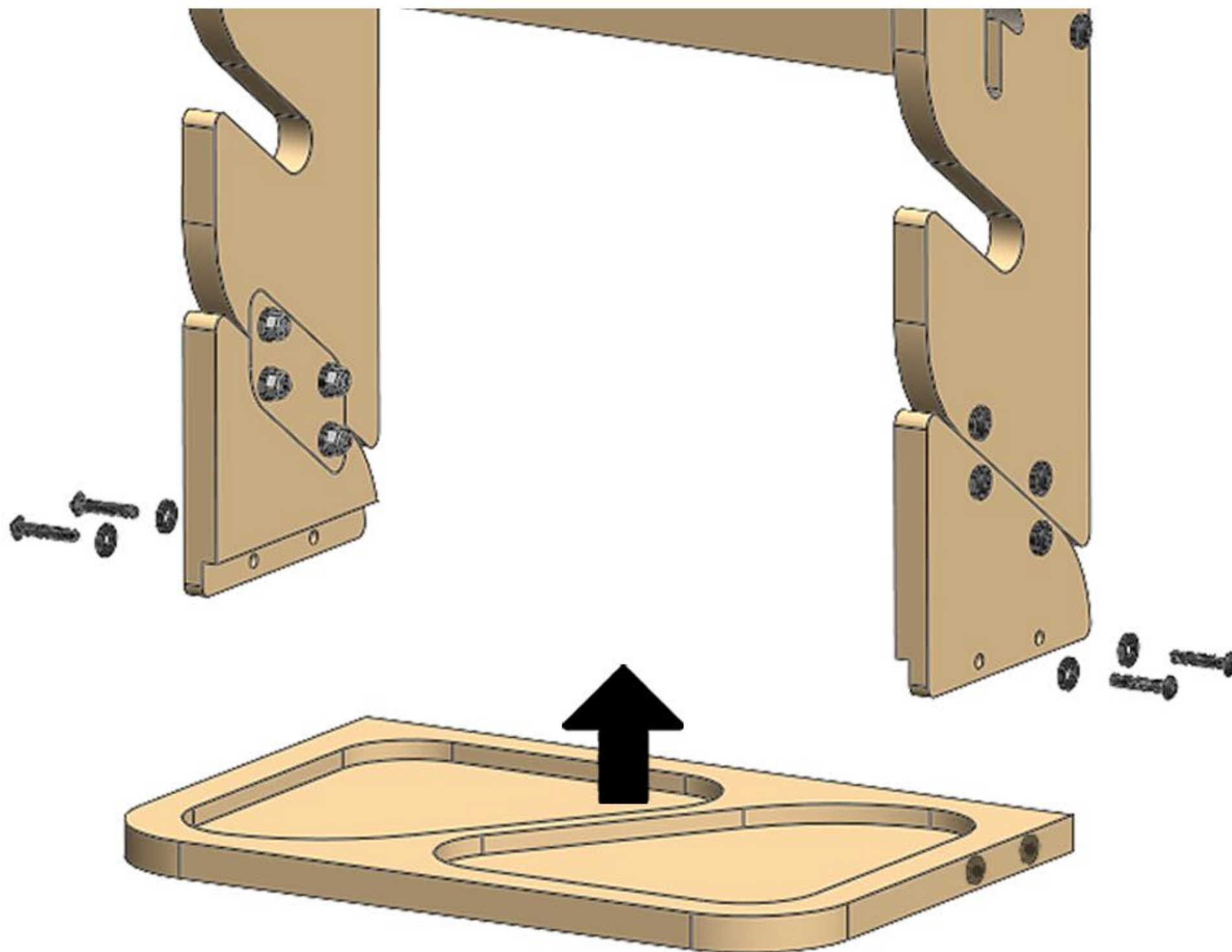
## STEP 2 - ZENIT RACK

Repeat this sequence for every bracket that is installed.



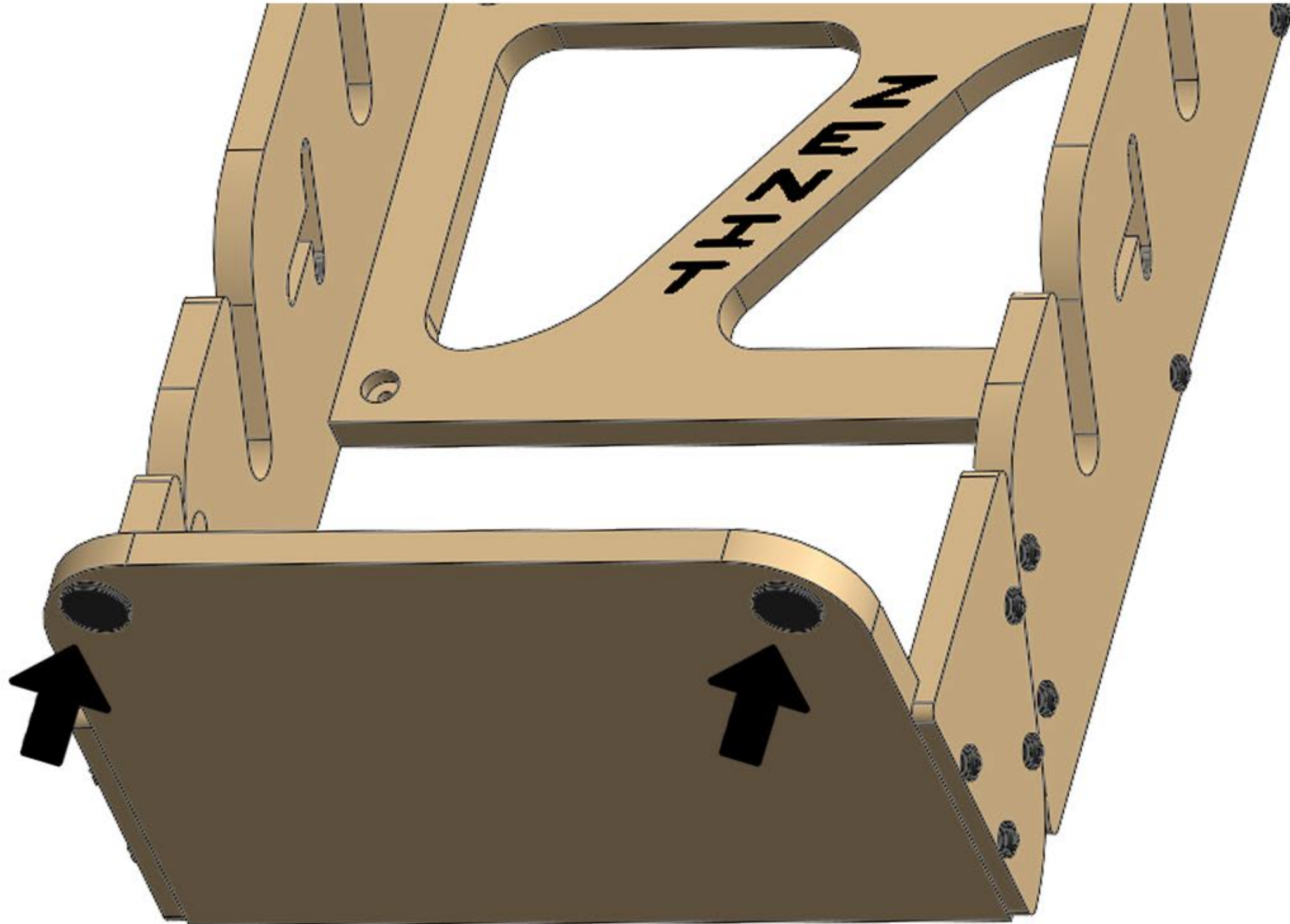
## STEP 3 - ZENIT RACK

Reverse the sequence of steps 2 and 3 to install a top shelf.



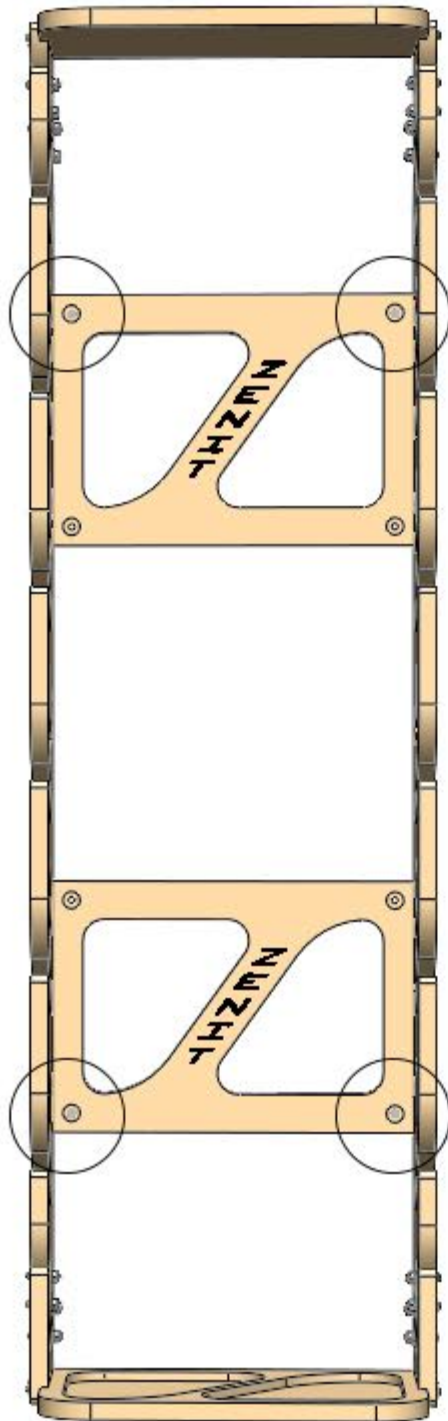
## STEP 4 - ZENIT RACK

Peel off the backing and affix the foam pads to the rounded corners of the stand.



## STEP 5 - ZENIT RACK

Secure the rack to the wall using a minimum of two wall anchors for each middle part.



### HOW TO WALL-MOUNT A RACK:

1. Use a pen to mark the holes on the wall.
2. Either pre-drill a hole or hammer the tip of the anchor into the wall.
3. Tighten the anchor into the wall by exerting significant pressure on the screwdriver.
4. Place a washer into the countersunk hole on the middle part of the rack.
5. Tighten the screws into the anchors.